

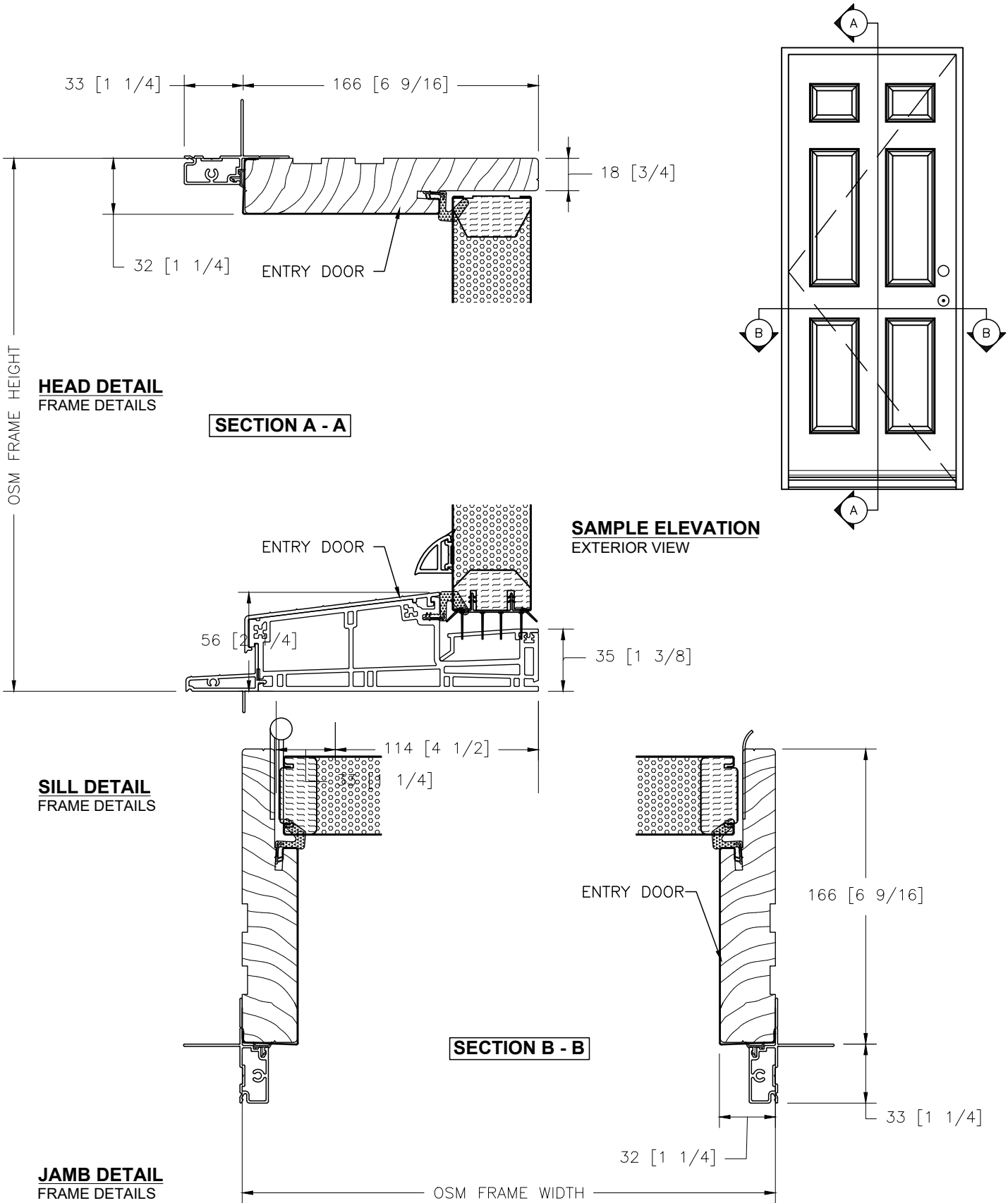


ALL WEATHER
AT HOME

Entry Door

Fibreglass and Steel Door System

Section Details
Inswing



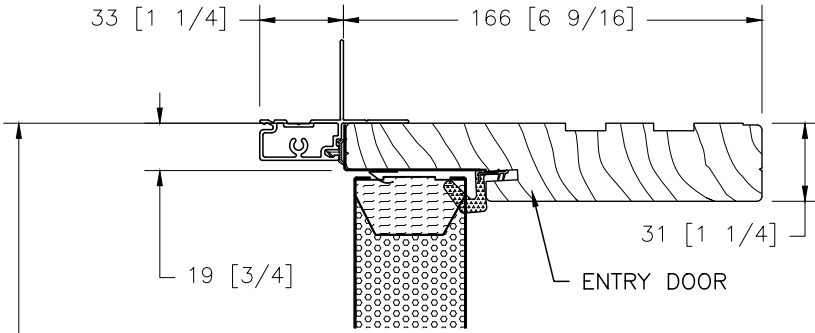


ALL WEATHER
AT HOME

Entry Door

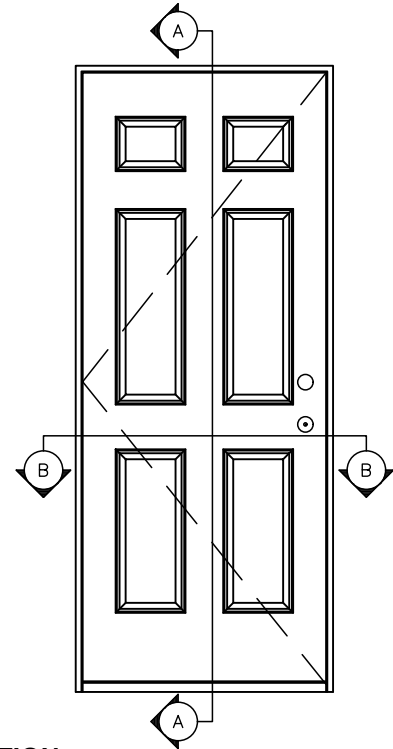
Section Details
Outswing

Fibreglass and Steel Door System



HEAD DETAIL
2x6 STUD WALL

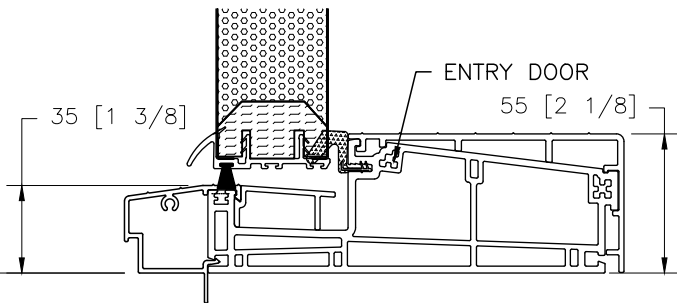
SECTION A - A



SAMPLE ELEVATION
EXTERIOR VIEW

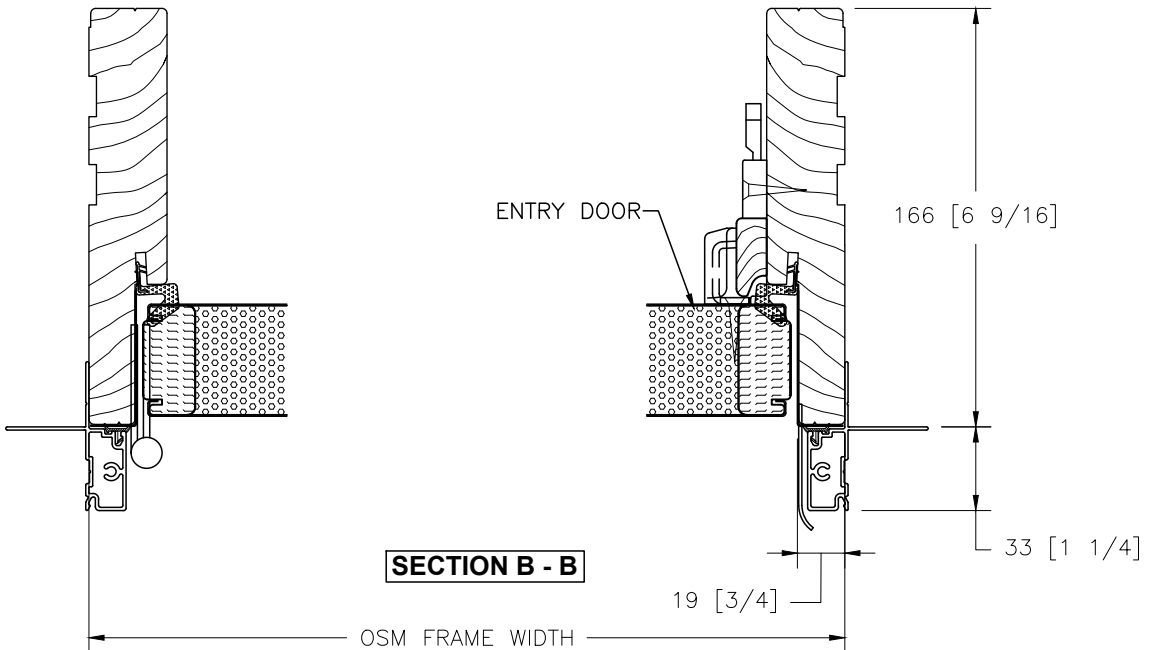
OSM FRAME HEIGHT

OSM FRAME HEIGHT



SILL DETAIL
2x6 STUD WALL

SECTION B - B



JAMB DETAIL
2x6 STUD WALL

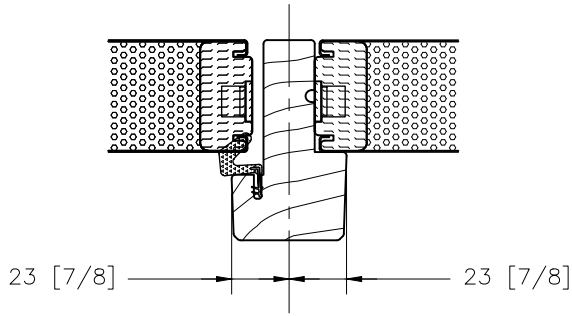


ALL WEATHER
AT HOME

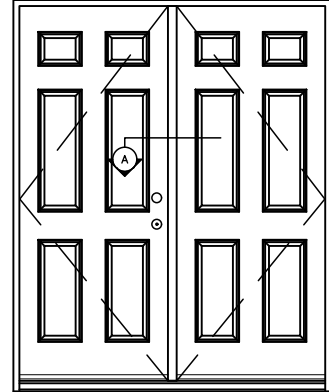
Entry Door

Fibreglass and Steel Door System

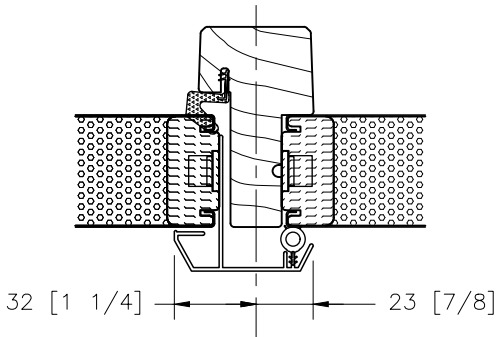
Section Details
Mullions



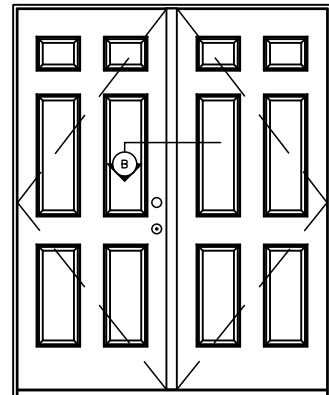
A - DOUBLE DOOR - INSWING
MULLION DETAIL



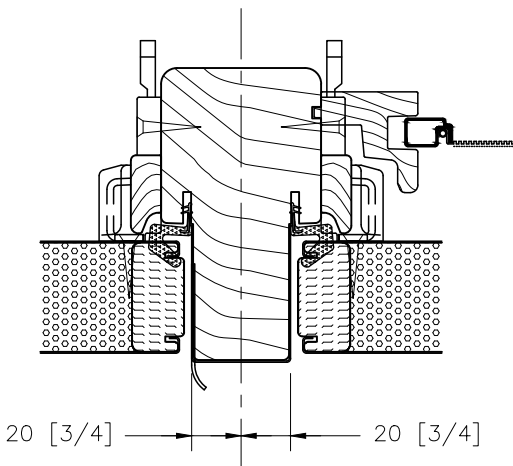
SAMPLE ELEVATION
EXTERIOR VIEW



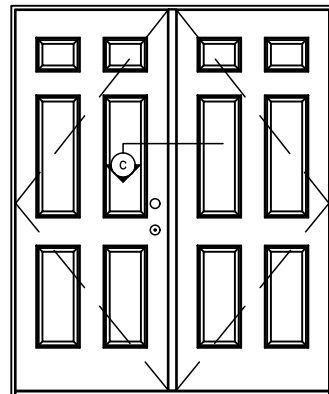
B - DOUBLE DOOR - OUTSWING
MULLION DETAIL



SAMPLE ELEVATION
EXTERIOR VIEW



C - GARDEN DOOR
MULLION DETAIL



SAMPLE ELEVATION
EXTERIOR VIEW

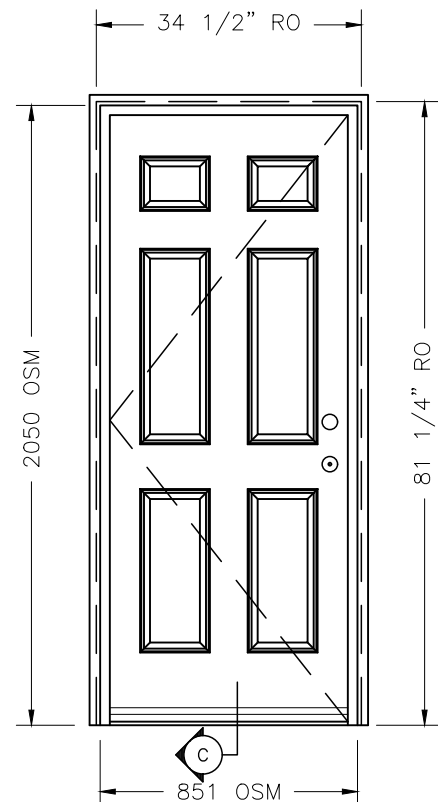
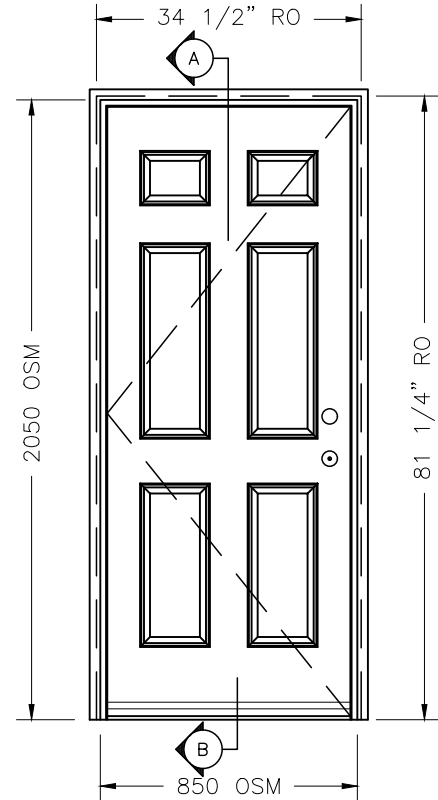
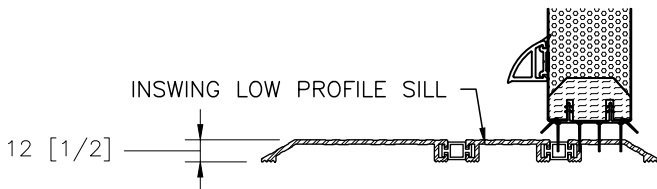
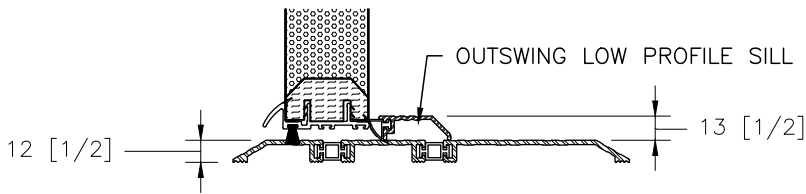
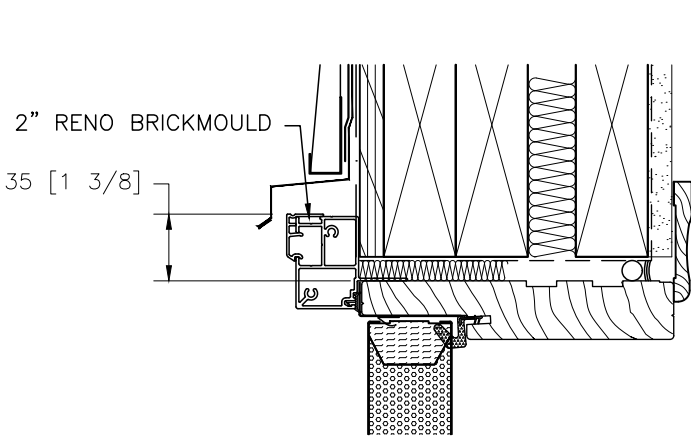


ALL WEATHER
AT HOME

Entry Door

Fibreglass and Steel Door System

Section Details
Options



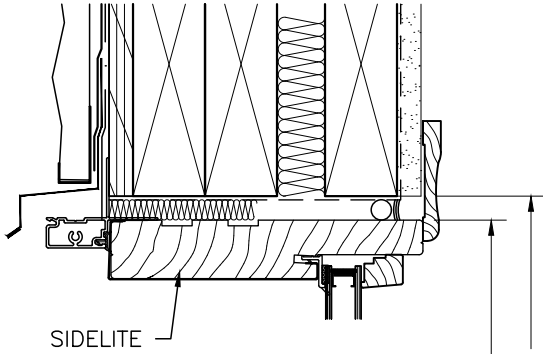


ALL WEATHER
AT HOME

Entry Door

Fibreglass and Steel Door System

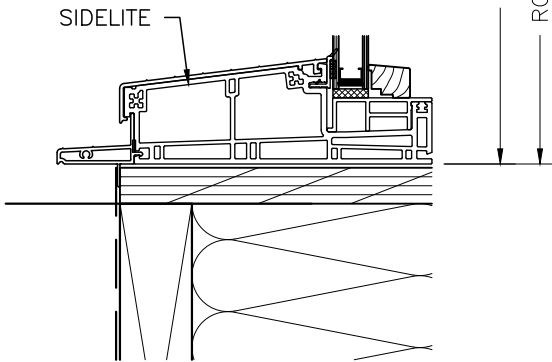
Section Details
Inswing Door
with Sidelite



SIDELITE

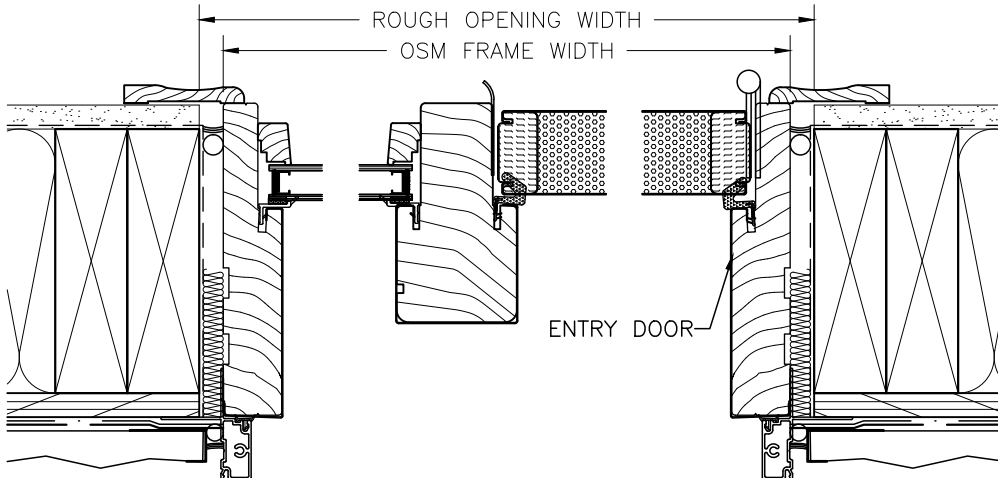
HEAD DETAIL
2x6 STUD WALL

SECTION A - A



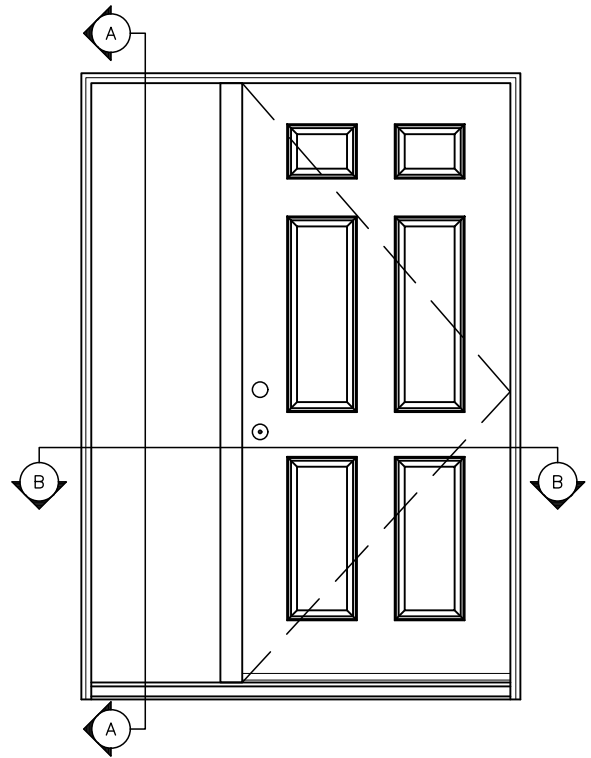
SIDELITE

SILL DETAIL
2x6 STUD WALL



ENTRY DOOR

SECTION B - B



SAMPLE ELEVATION
EXTERIOR VIEW

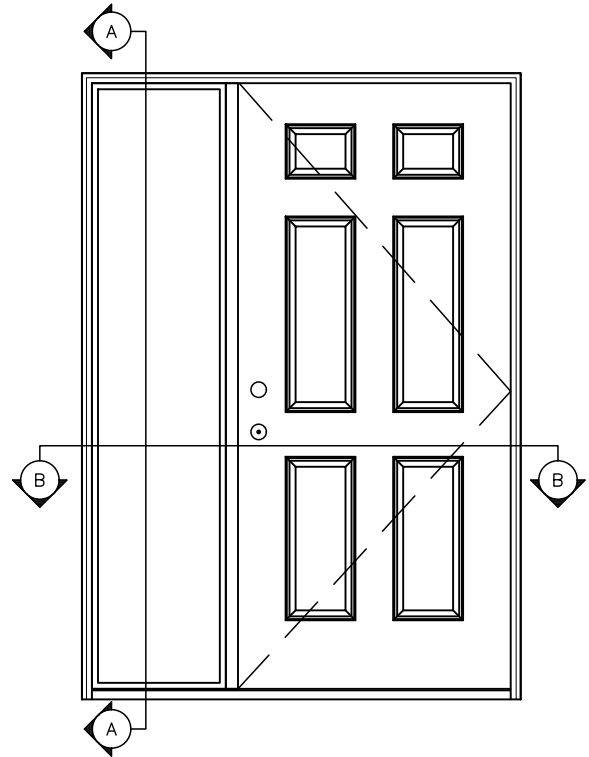
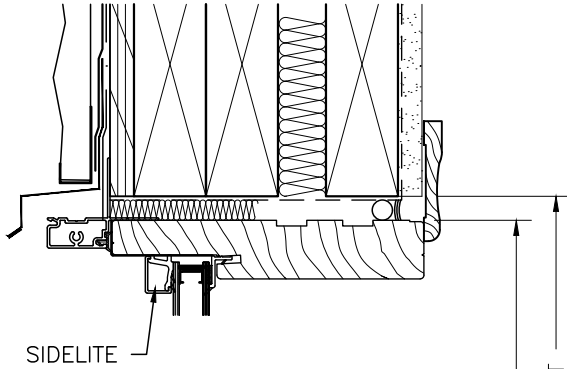


ALL WEATHER
AT HOME

Entry Door

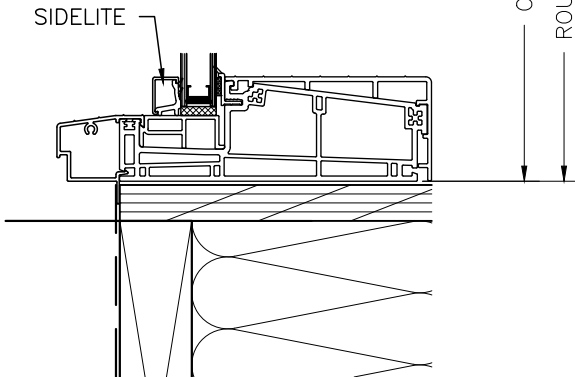
Fibreglass and Steel Door System

Section Details
Outswing Door
with Sidelite



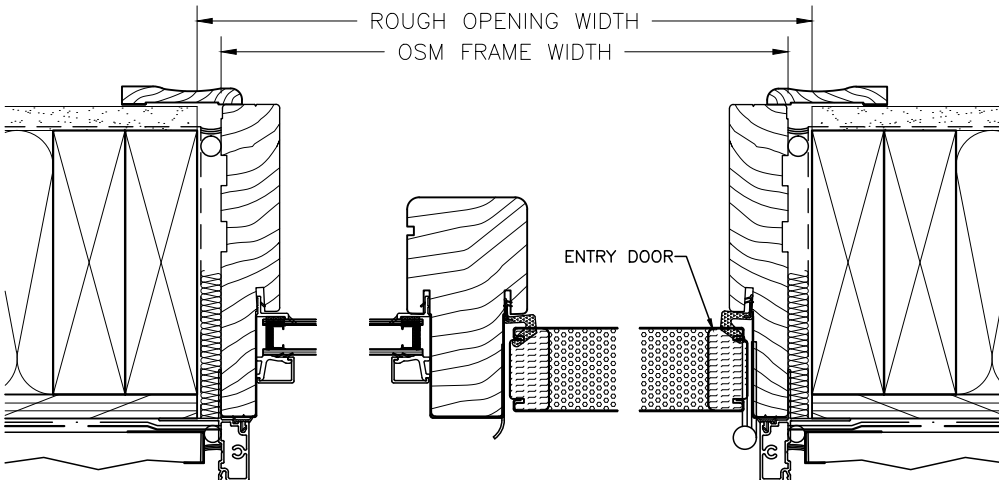
HEAD DETAIL
2x6 STUD WALL

SECTION A - A



SAMPLE ELEVATION
EXTERIOR VIEW

SILL DETAIL
2x6 STUD WALL



SECTION B - B

JAMB DETAIL
2x6 STUD WALL

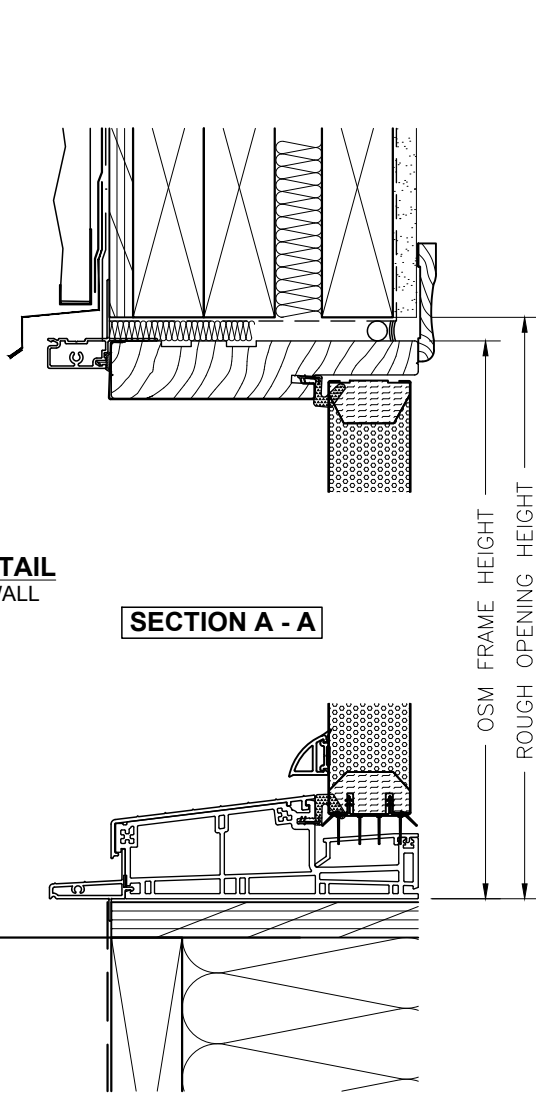


ALL WEATHER
AT HOME

Entry Door

Section Details
Wall Details

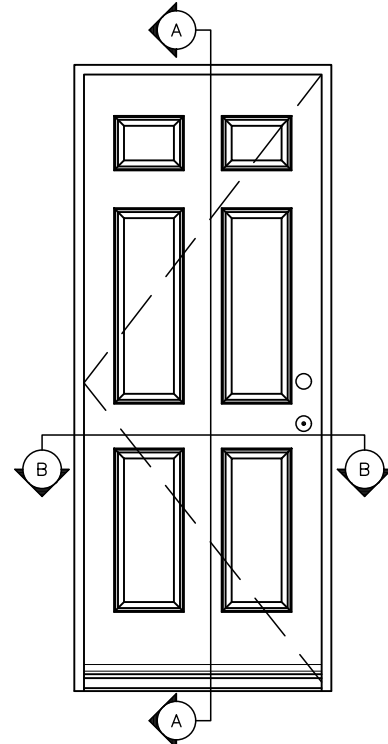
Fibreglass and Steel Door System



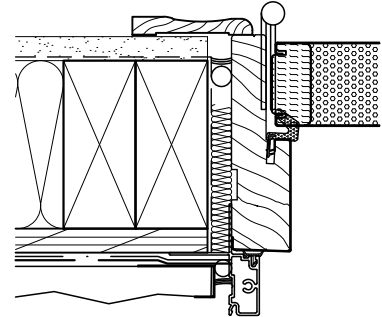
HEAD DETAIL
2x6 STUD WALL

SECTION A - A

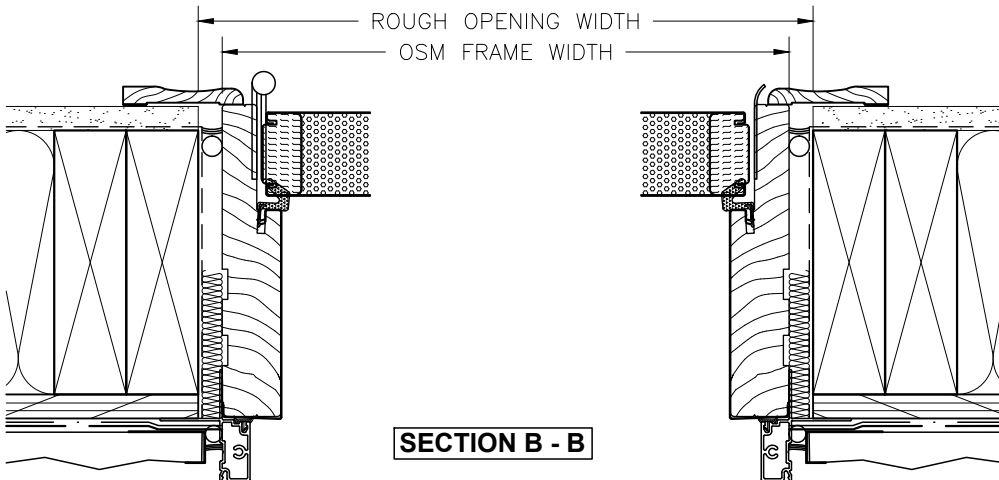
SILL DETAIL
2x6 STUD WALL



SAMPLE ELEVATION
EXTERIOR VIEW



SILL DETAIL
2x4 STUD WALL



SECTION B - B

JAMB DETAIL
2x6 STUD WALL