

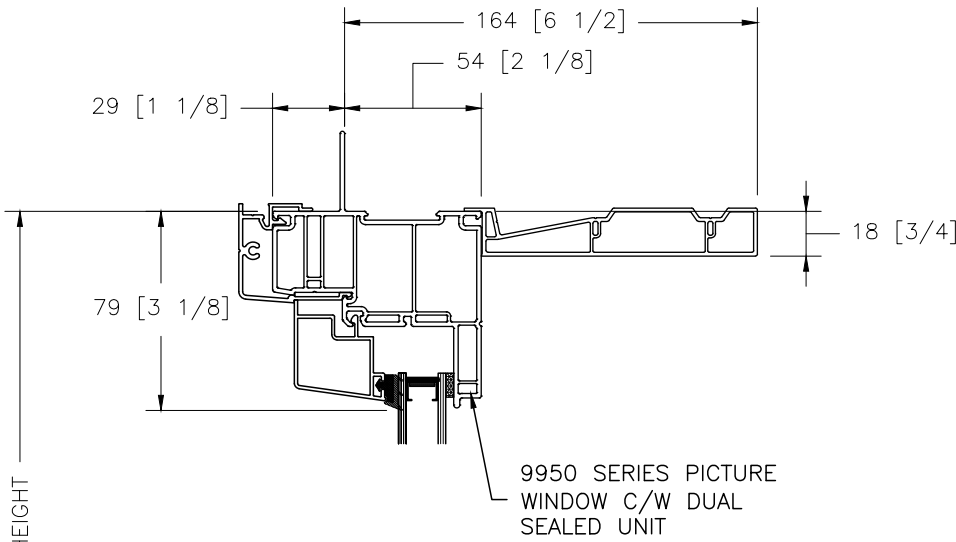


ALL WEATHER
AT HOME

Apex Alloy

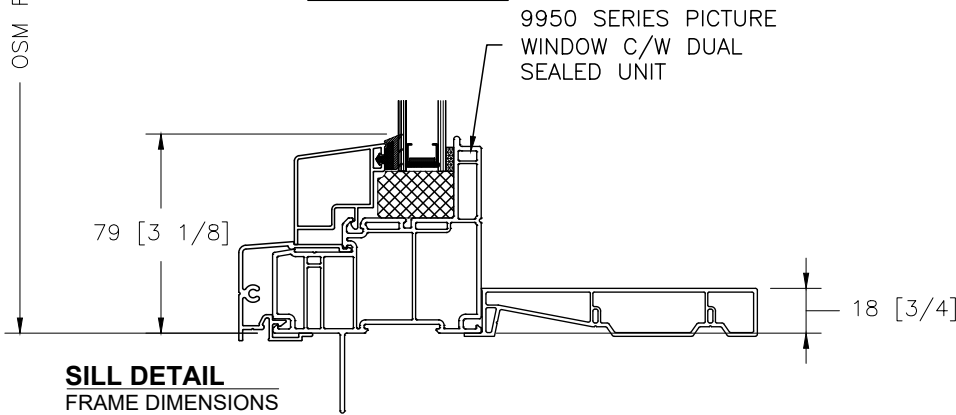
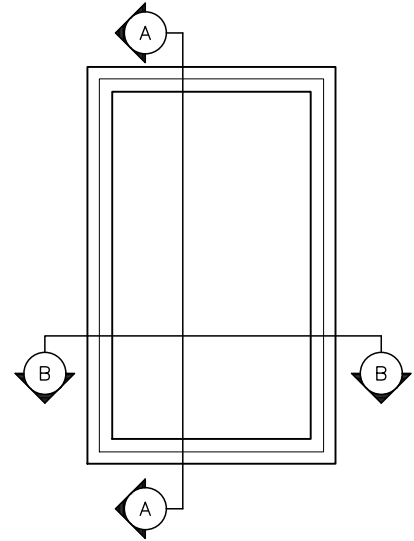
9950 Series | PICTURE

Section Details
FRAME

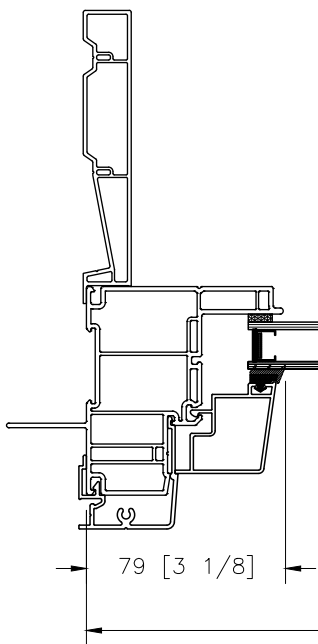


HEAD DETAIL
FRAME DIMENSIONS

SECTION A - A

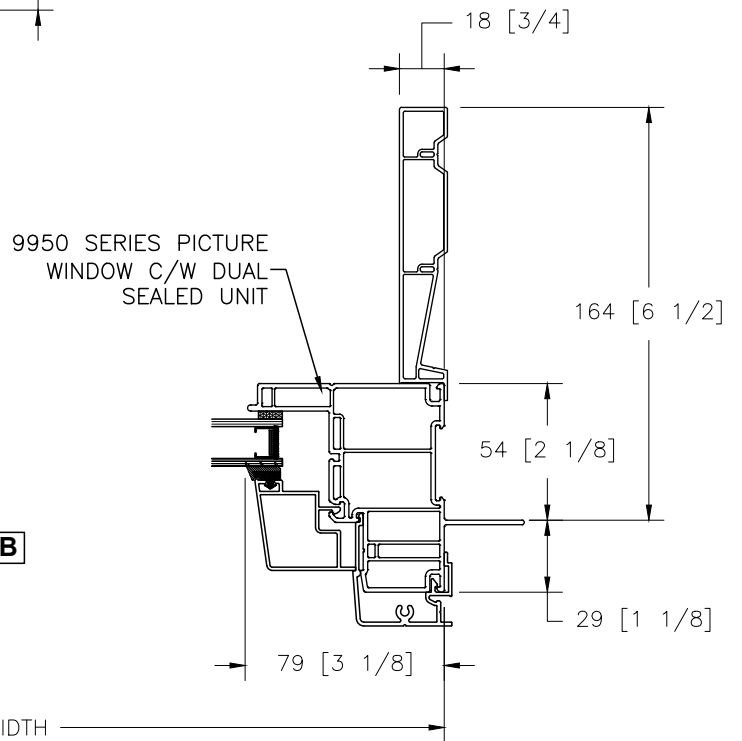


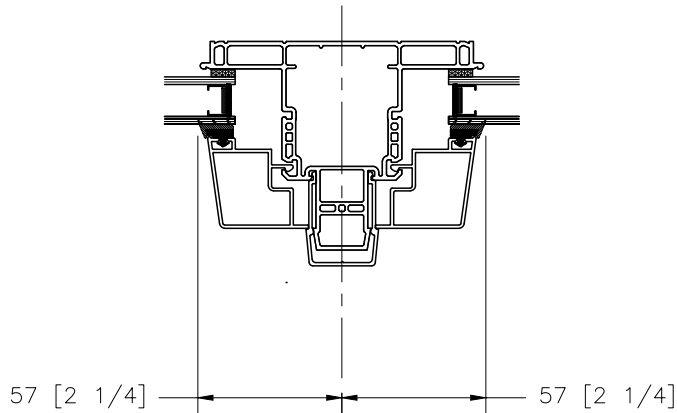
SILL DETAIL
FRAME DIMENSIONS



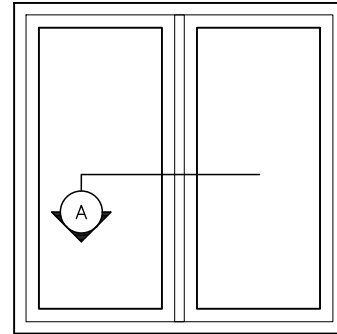
JAMB DETAIL
FRAME DIMENSIONS

SECTION B - B

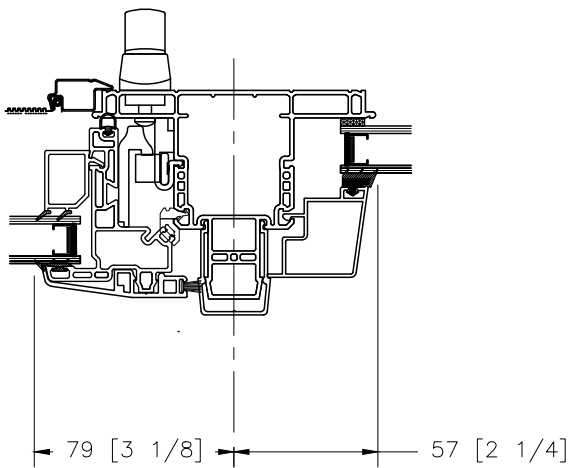




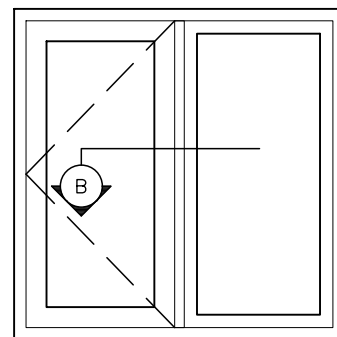
A. PICTURE - PICTURE
MULLION DETAIL



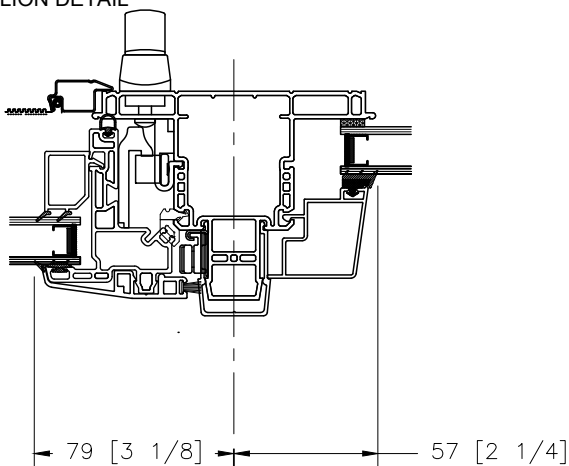
SAMPLE ELEVATION
EXTERIOR VIEW



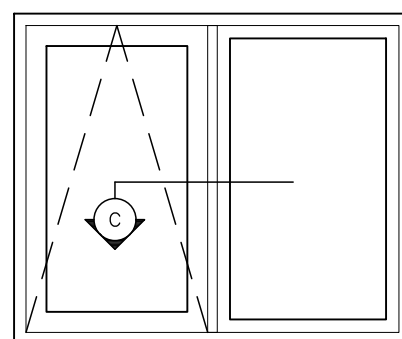
B. CASEMENT - PICTURE
MULLION DETAIL



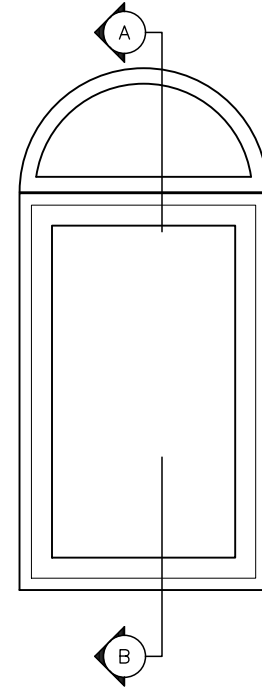
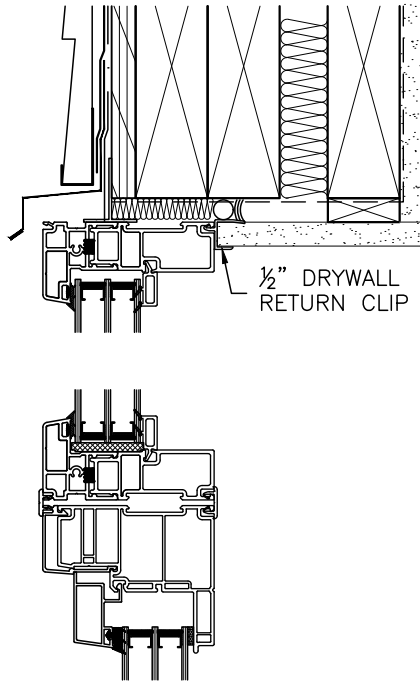
SAMPLE ELEVATION
EXTERIOR VIEW



C. AWNING - PICTURE
MULLION DETAIL

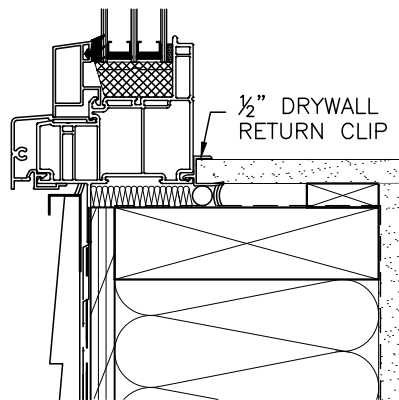


SAMPLE ELEVATION
EXTERIOR VIEW

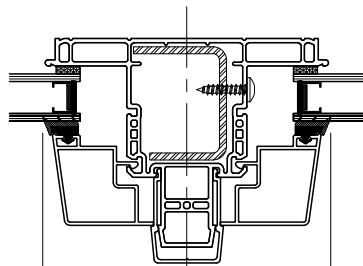


A - SHAPE FRAME COMBINATION & TRIPANE GLAZING
OPTION WITH DRYWALL RETURN

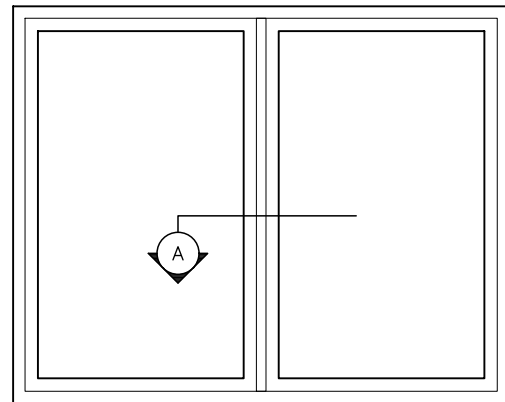
SAMPLE ELEVATION
EXTERIOR VIEW



B - SHAPE FRAME COMBINATION & TRIPANE GLAZING
OPTION WITH DRYWALL RETURN



57 [2 1/4] ← → 57 [2 1/4]



A. PICTURE - PICTURE
STEEL REINFORCED MULLION

SAMPLE ELEVATION
EXTERIOR VIEW

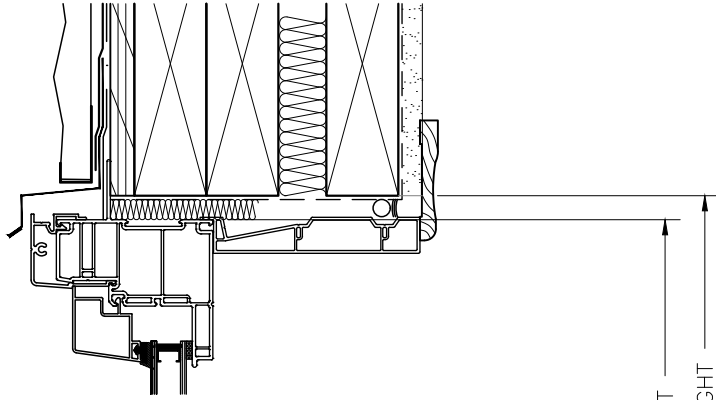


ALL WEATHER
AT HOME™

Apex Alloy

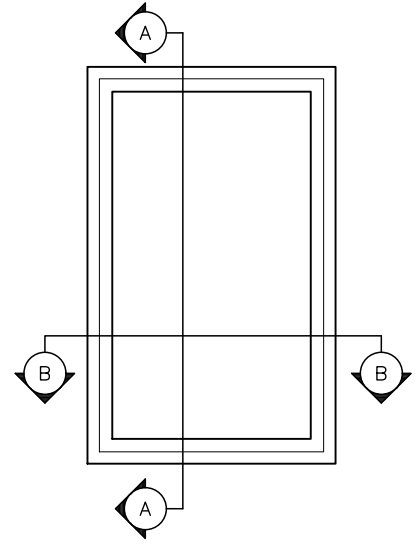
9950 Series | PICTURE

Section Details
WALL DETAILS



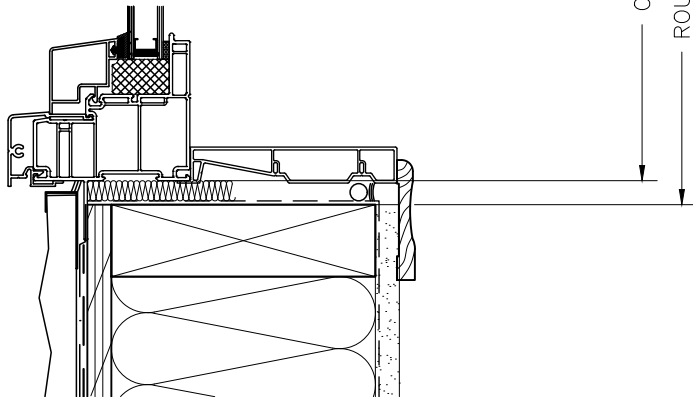
HEAD DETAIL
2x6 STUD WALL

SECTION A - A



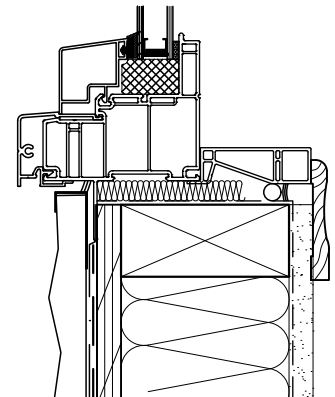
SAMPLE ELEVATION
EXTERIOR VIEW

OSM FRAME HEIGHT
ROUGH OPENING HEIGHT

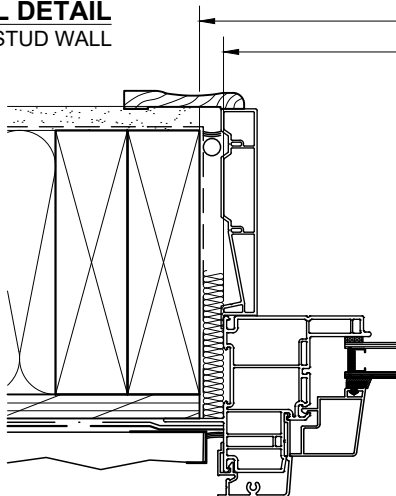


SILL DETAIL
2x6 STUD WALL

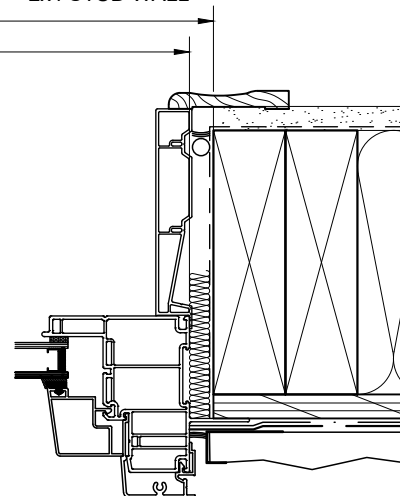
SILL DETAIL
2x4 STUD WALL



ROUGH OPENING WIDTH
OSM FRAME WIDTH



SECTION B - B



JAMB DETAIL
2x6 STUD WALL