

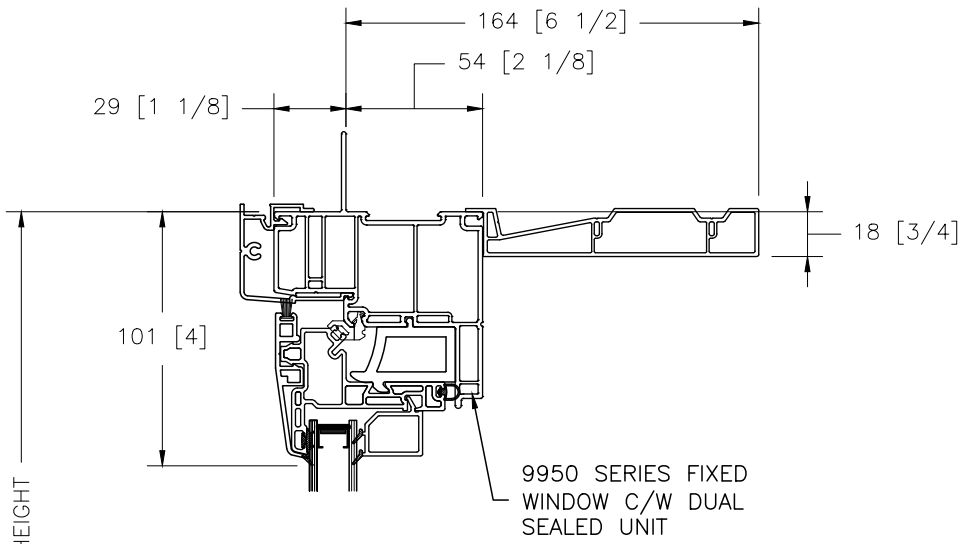


ALL WEATHER
AT HOME

Apex Alloy

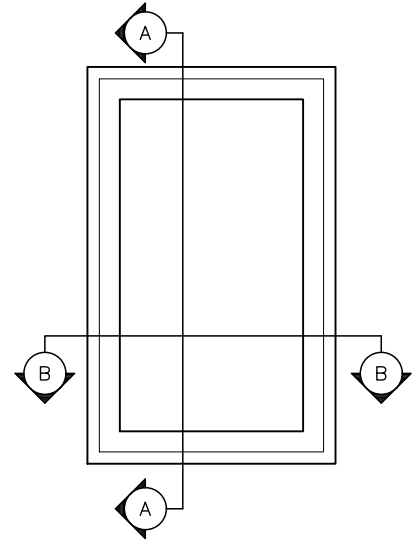
9950 Series | FIXED

Section Details
FRAME

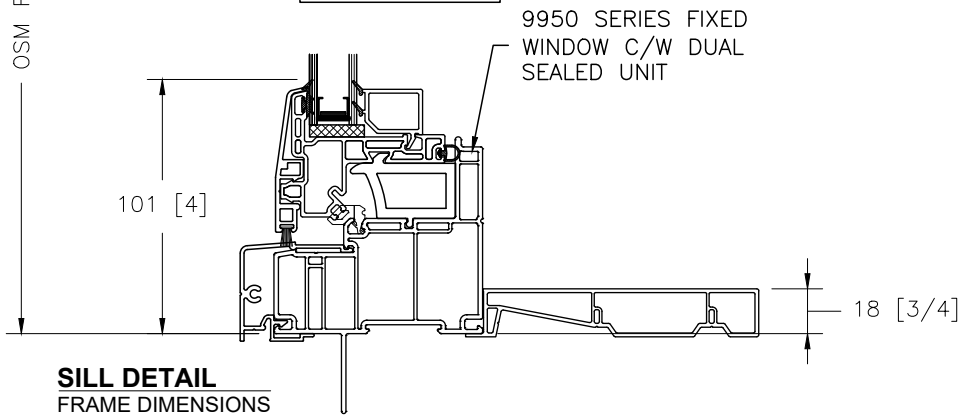


HEAD DETAIL
FRAME DIMENSIONS

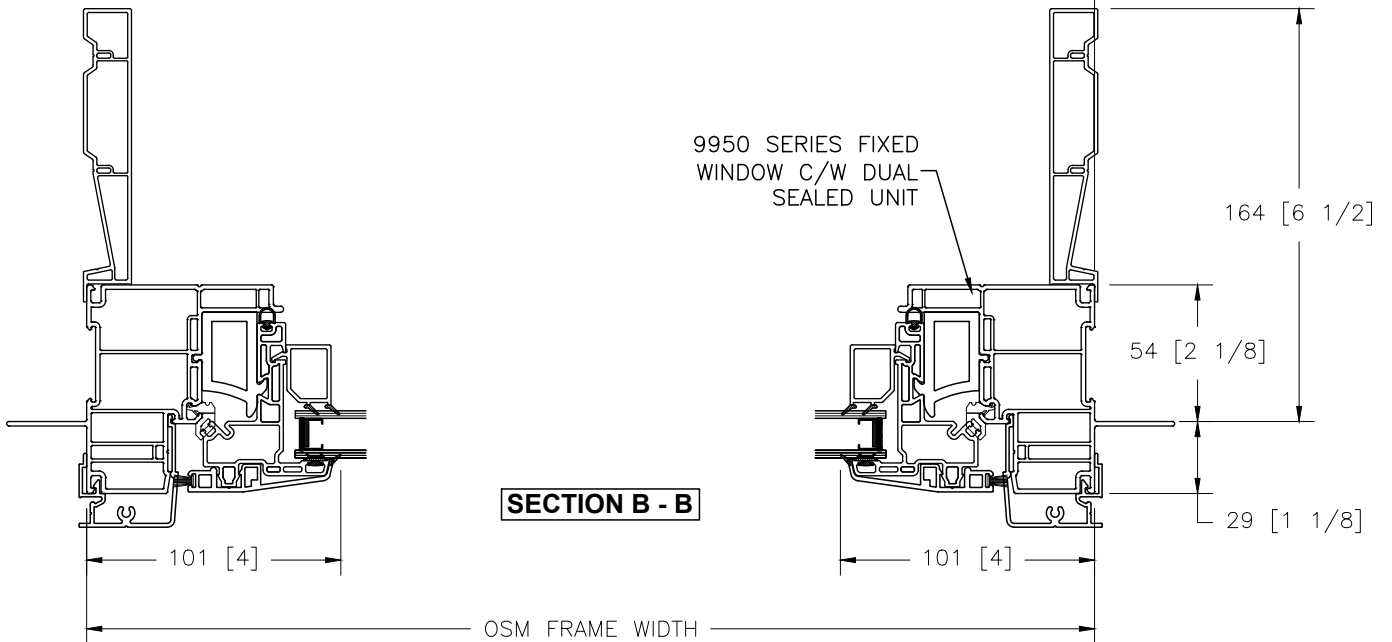
SECTION A - A



SAMPLE ELEVATION
EXTERIOR VIEW



SILL DETAIL
FRAME DIMENSIONS



SECTION B - B

JAMB DETAIL
FRAME DIMENSIONS

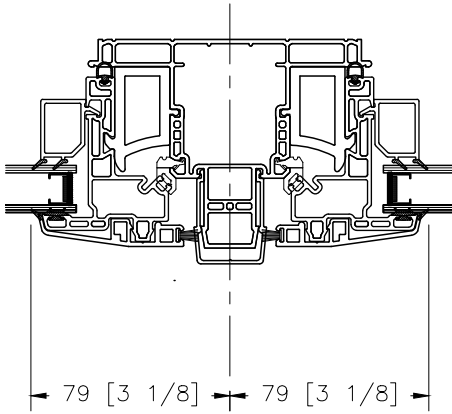


ALL WEATHER
AT HOME

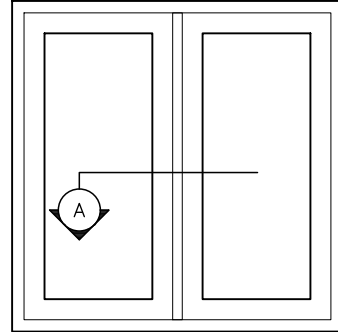
Apex Alloy

9950 Series | FIXED

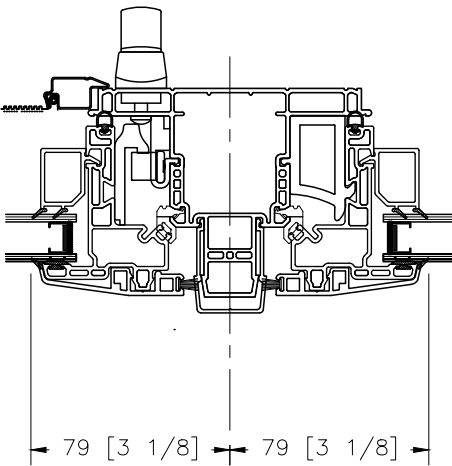
Section Details
MULLIONS



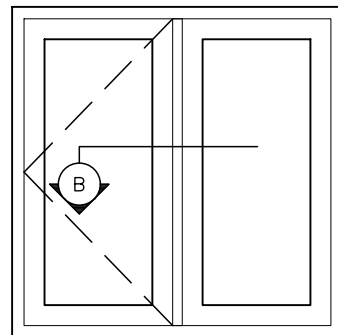
A. FIXED - FIXED
MULLION DETAIL



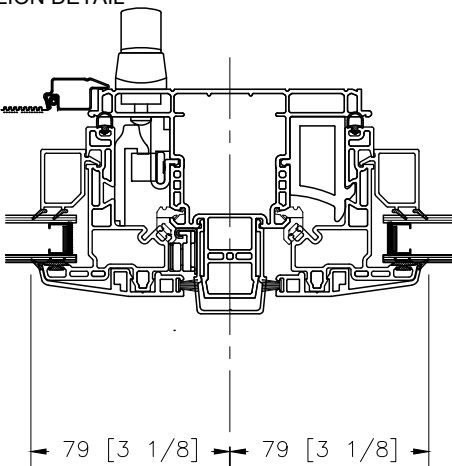
SAMPLE ELEVATION
EXTERIOR VIEW



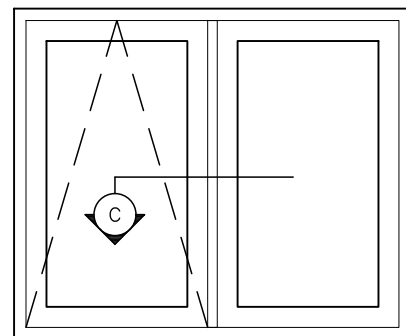
B. CASEMENT - FIXED
MULLION DETAIL



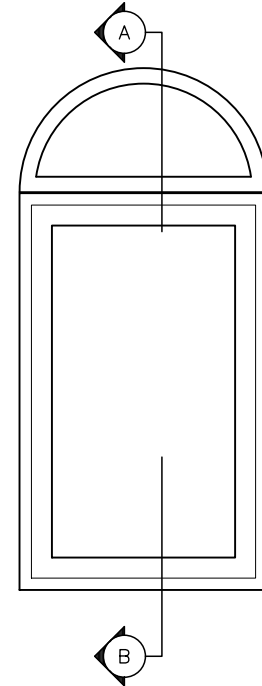
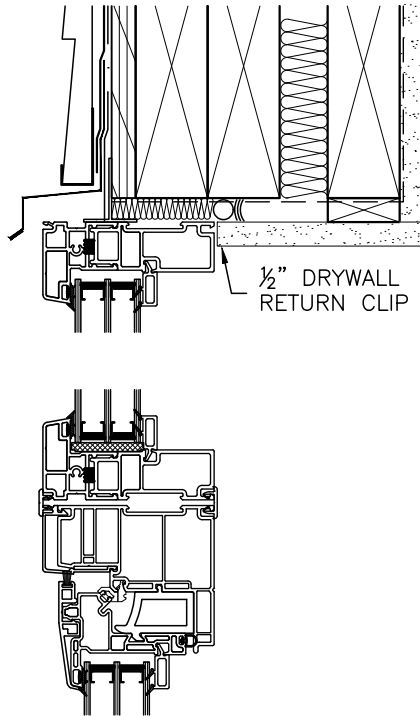
SAMPLE ELEVATION
EXTERIOR VIEW



C. AWNING - FIXED
MULLION DETAIL

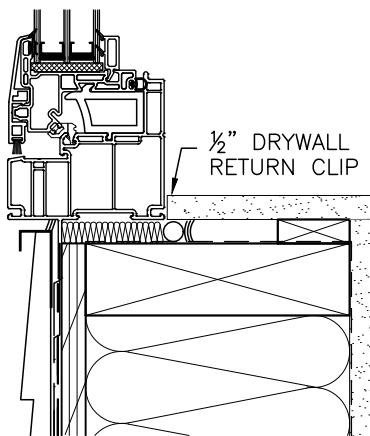


SAMPLE ELEVATION
EXTERIOR VIEW

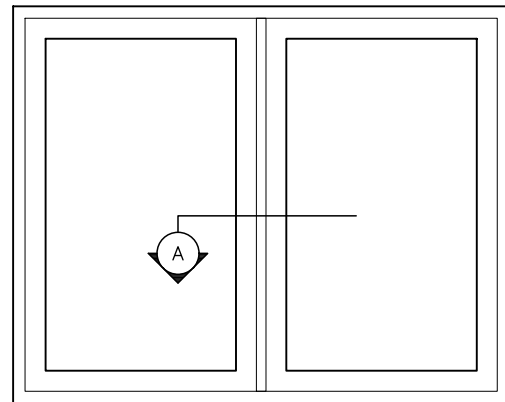
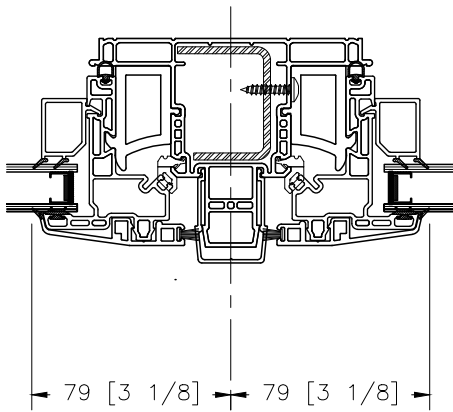


A - SHAPE FRAME COMBINATION & TRIPANE GLAZING
OPTION WITH DRYWALL RETURN

SAMPLE ELEVATION
EXTERIOR VIEW



B - SHAPE FRAME COMBINATION & TRIPANE GLAZING
OPTION WITH DRYWALL RETURN



A. FIXED - FIXED
STEEL REINFORCED MULLION

SAMPLE ELEVATION
EXTERIOR VIEW

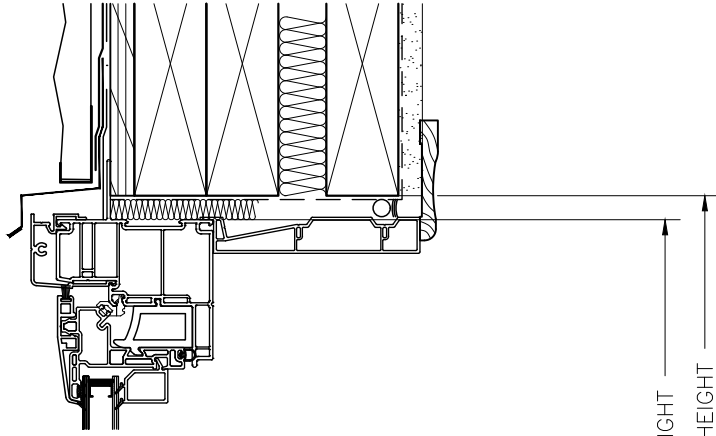


ALL WEATHER
AT HOME™

Apex Alloy

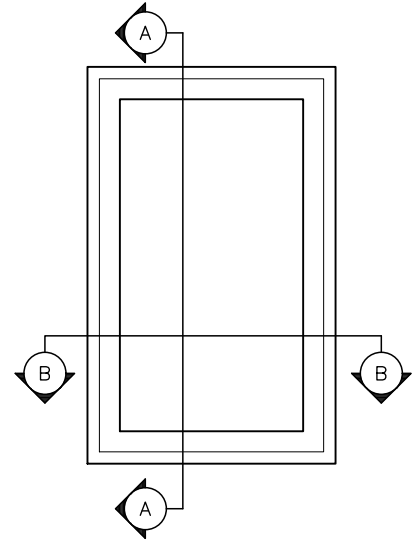
9950 Series | FIXED

Section Details
WALL DETAILS



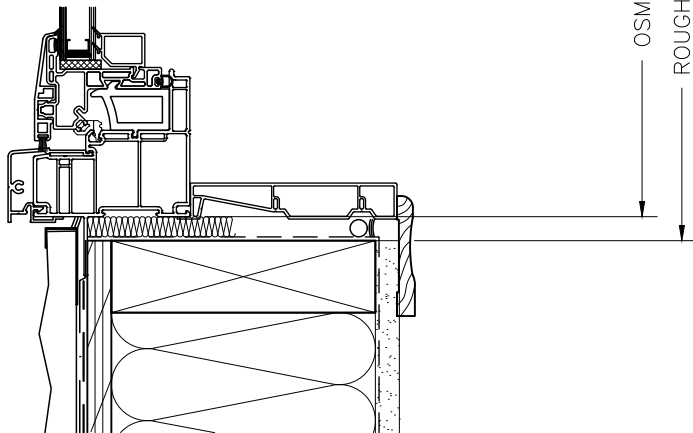
HEAD DETAIL
2x6 STUD WALL

SECTION A - A



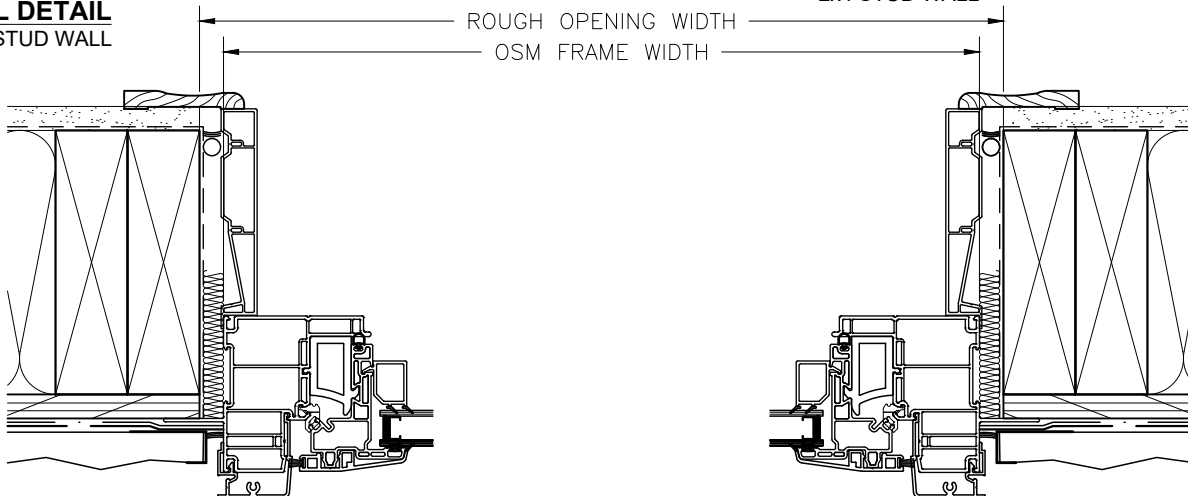
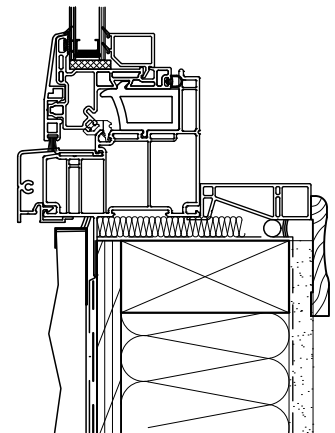
SAMPLE ELEVATION
EXTERIOR VIEW

OSM FRAME HEIGHT
ROUGH OPENING HEIGHT



SILL DETAIL
2x6 STUD WALL

SILL DETAIL
2x4 STUD WALL



JAMB DETAIL
2x6 STUD WALL

SECTION B - B