

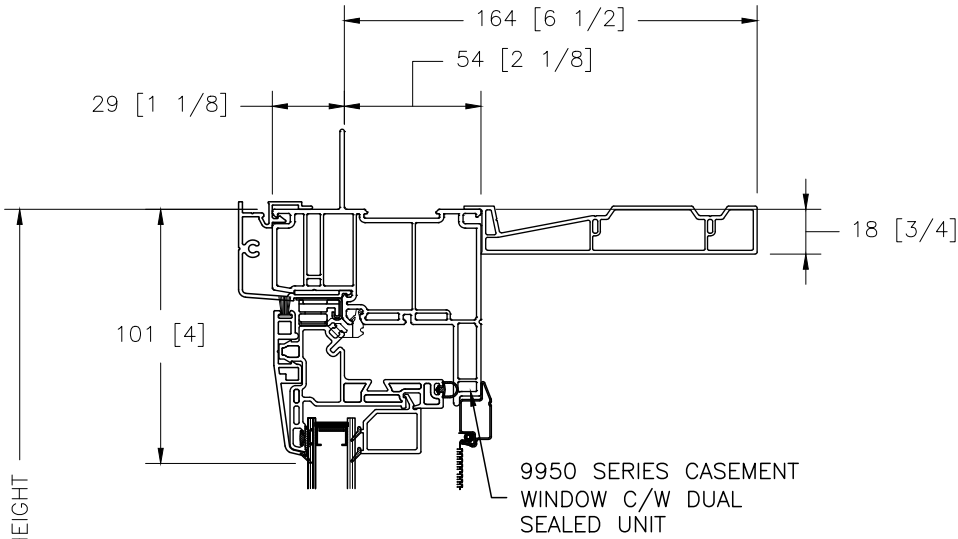


ALL WEATHER
AT HOME

Apex Alloy

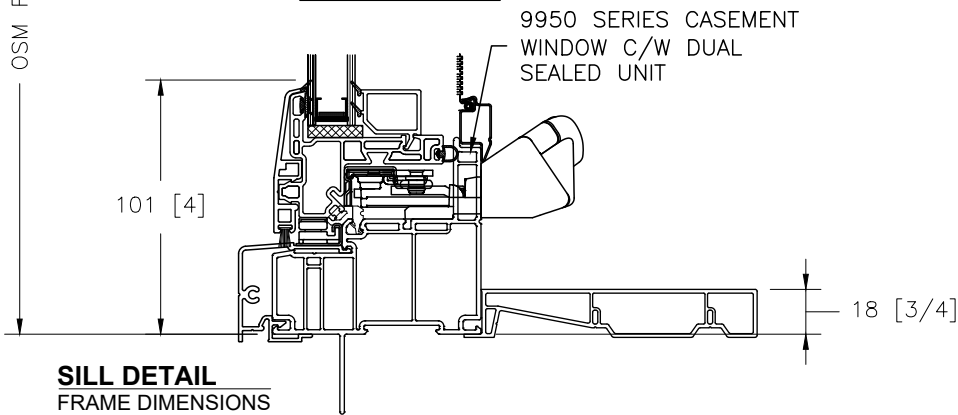
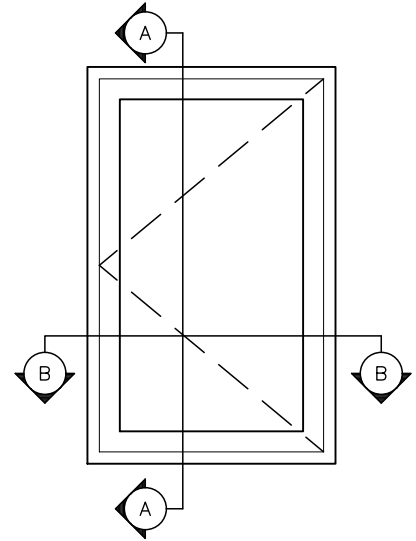
9950 Series | CASEMENT

Section Details
FRAME

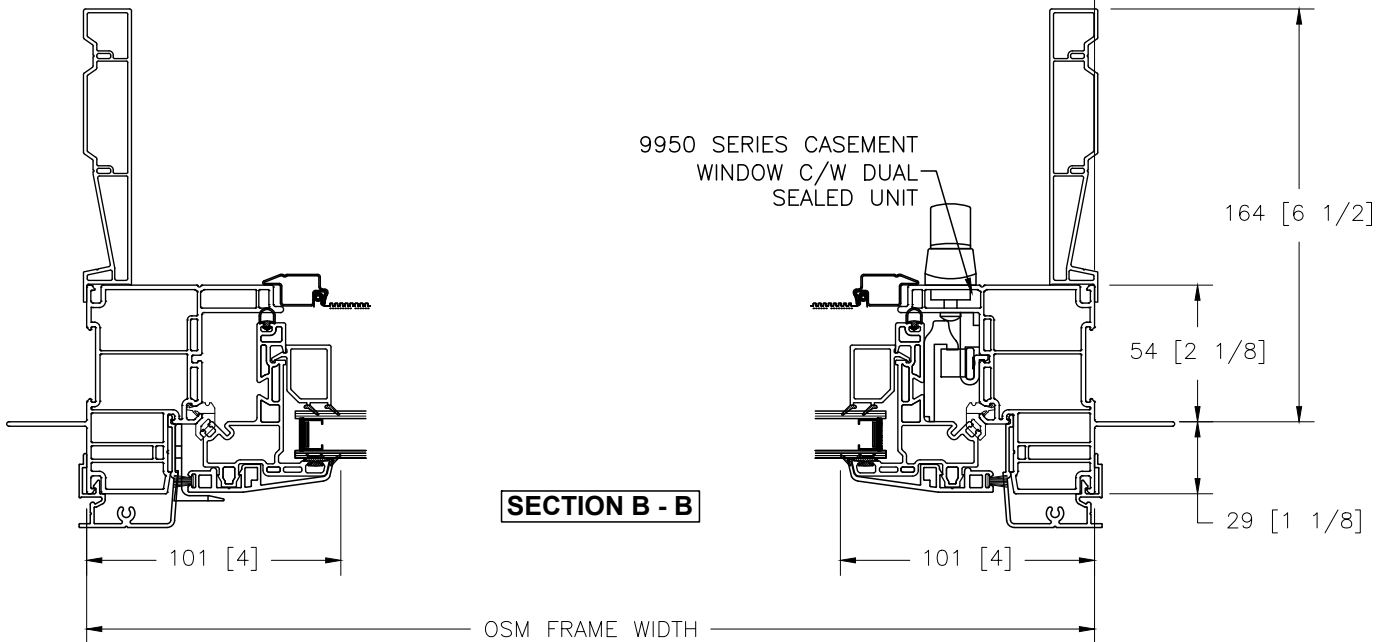


HEAD DETAIL
FRAME DIMENSIONS

SECTION A - A



SILL DETAIL
FRAME DIMENSIONS



JAMB DETAIL
FRAME DIMENSIONS

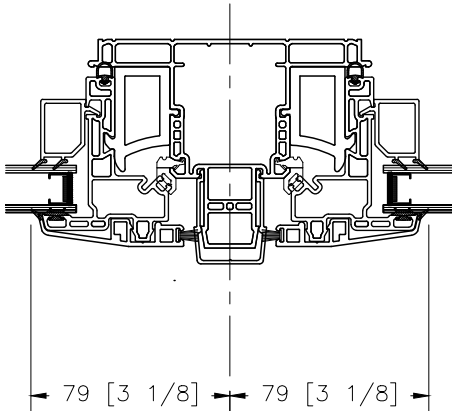


ALL WEATHER
AT HOME

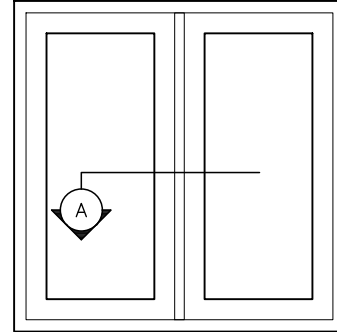
Apex Alloy

9950 Series | CASEMENT

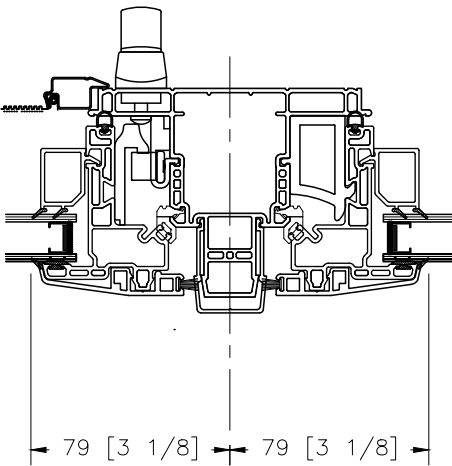
Section Details
MULLIONS



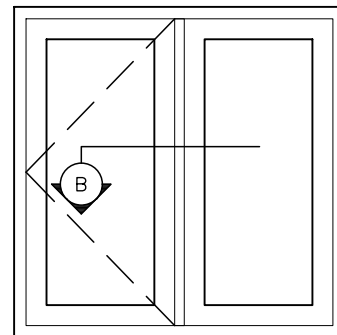
A. FIXED - FIXED
MULLION DETAIL



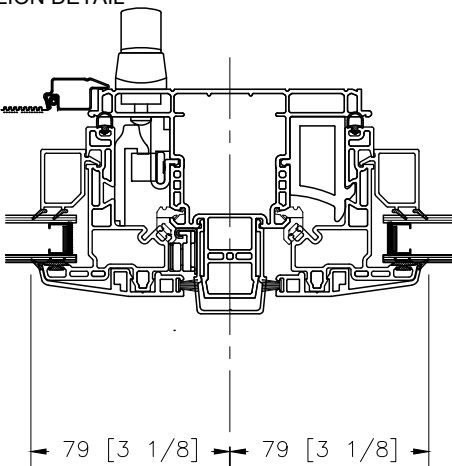
SAMPLE ELEVATION
EXTERIOR VIEW



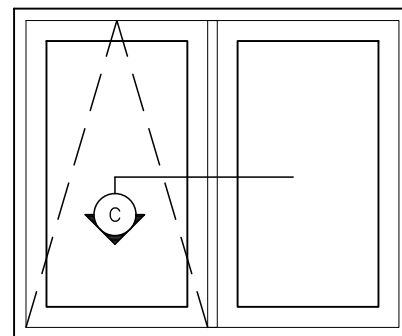
B. CASEMENT - FIXED
MULLION DETAIL



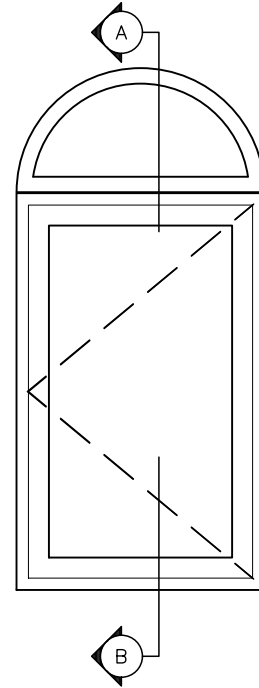
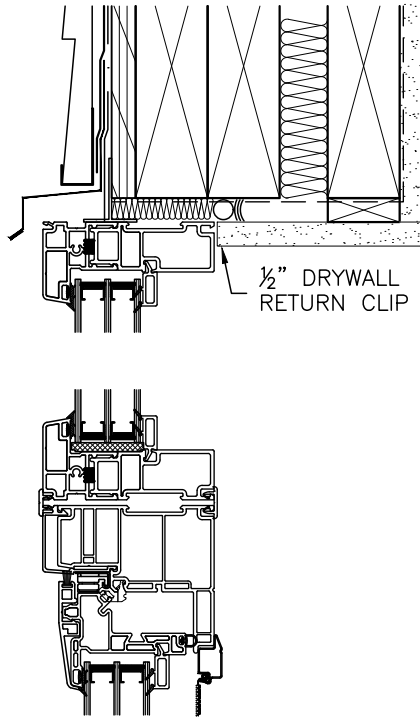
SAMPLE ELEVATION
EXTERIOR VIEW



C. AWNING - FIXED
MULLION DETAIL

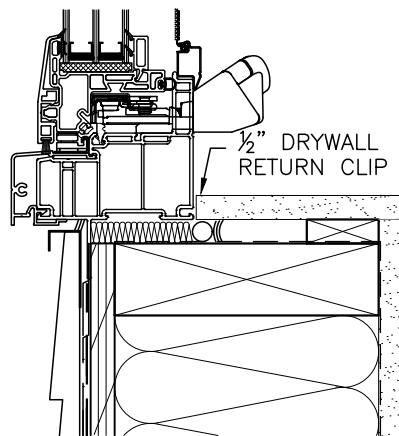


SAMPLE ELEVATION
EXTERIOR VIEW

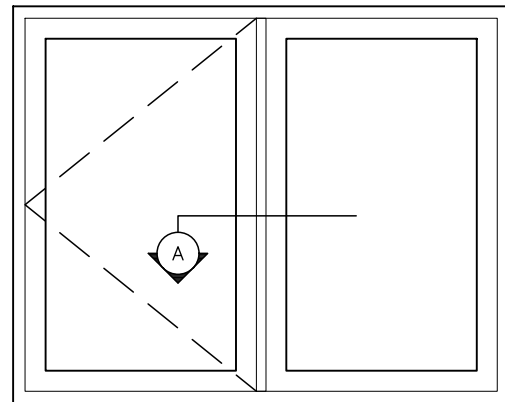
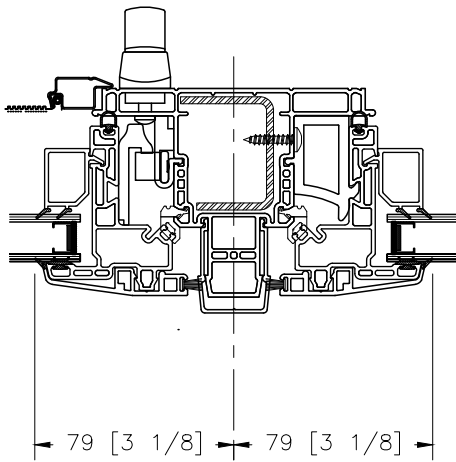


A - SHAPE FRAME COMBINATION & TRIPANE GLAZING
 OPTION WITH DRYWALL RETURN

SAMPLE ELEVATION
 EXTERIOR VIEW



B - SHAPE FRAME COMBINATION & TRIPANE GLAZING
 OPTION WITH DRYWALL RETURN



A. CASEMENT - FIXED
STEEL REINFORCED MULLION

SAMPLE ELEVATION
EXTERIOR VIEW

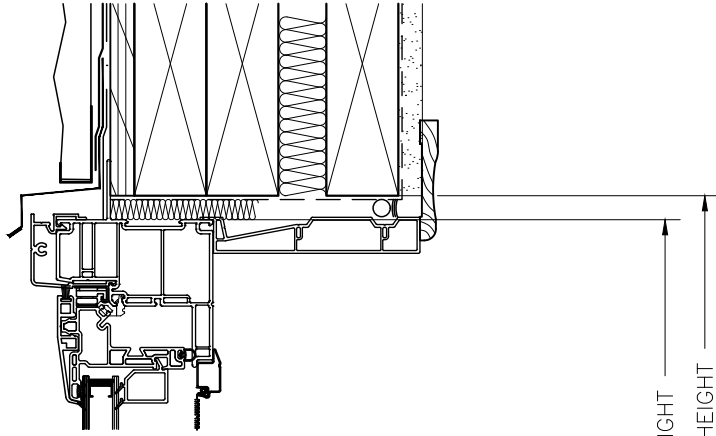


ALL WEATHER
AT HOME™

Apex Alloy

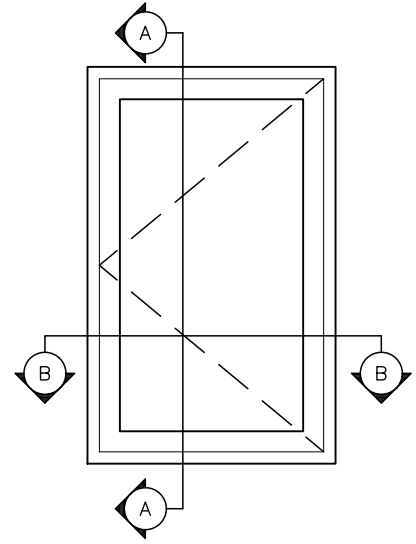
9950 Series | CASEMENT

Section Details
WALL DETAILS



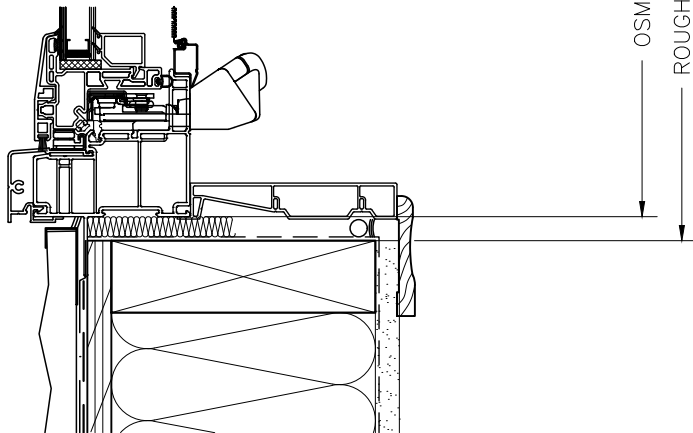
HEAD DETAIL
2x6 STUD WALL

SECTION A - A



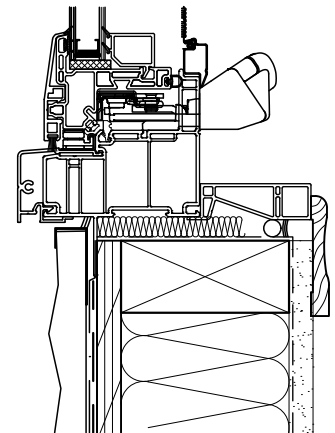
SAMPLE ELEVATION
EXTERIOR VIEW

OSM FRAME HEIGHT
ROUGH OPENING HEIGHT

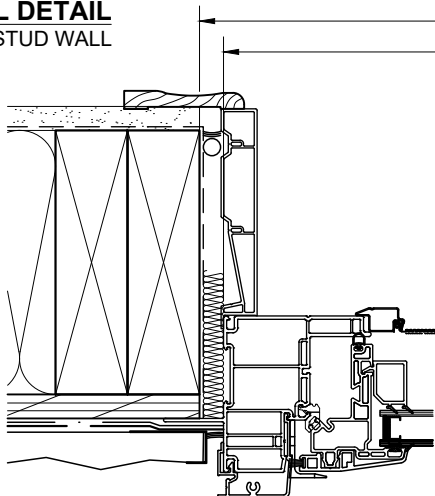


SILL DETAIL
2x6 STUD WALL

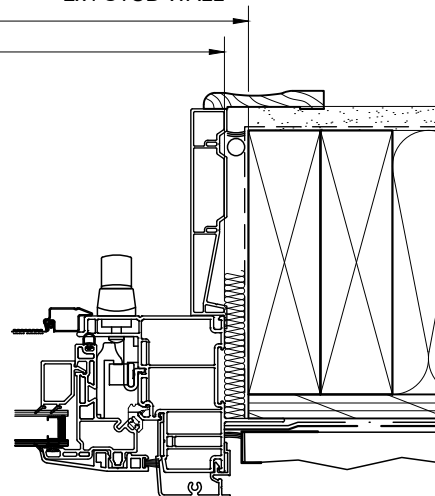
SILL DETAIL
2x4 STUD WALL



ROUGH OPENING WIDTH
OSM FRAME WIDTH



SECTION B - B



JAMB DETAIL
2x6 STUD WALL