

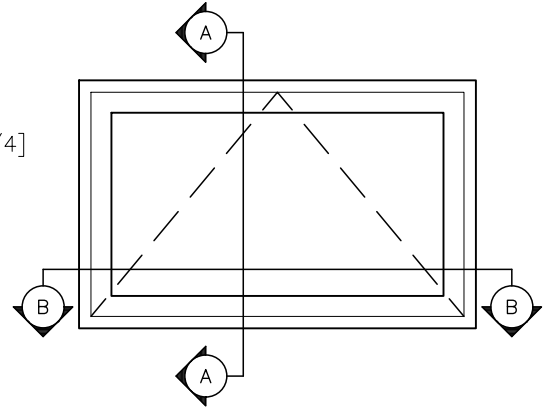
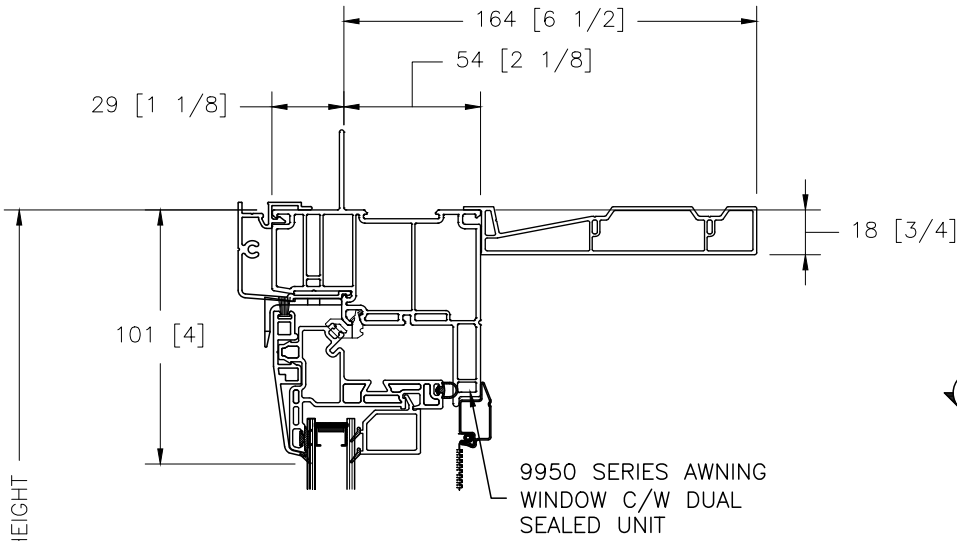


ALL WEATHER
AT HOME

Apex Alloy

9950 Series | AWNING

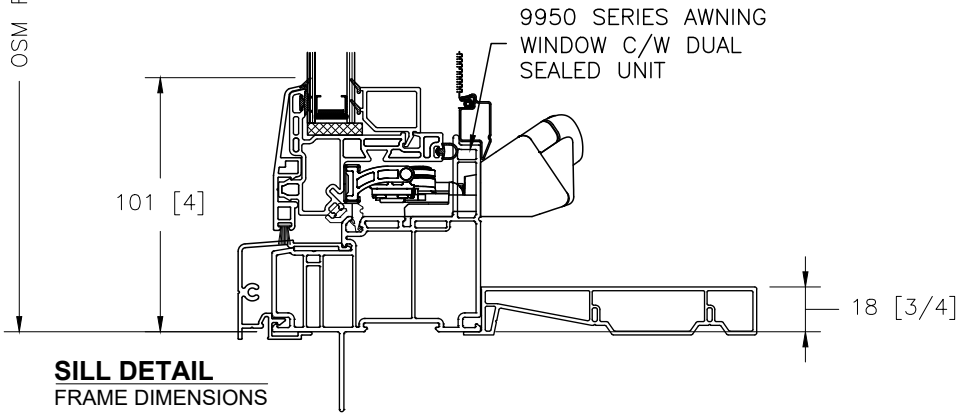
Section Details
FRAME



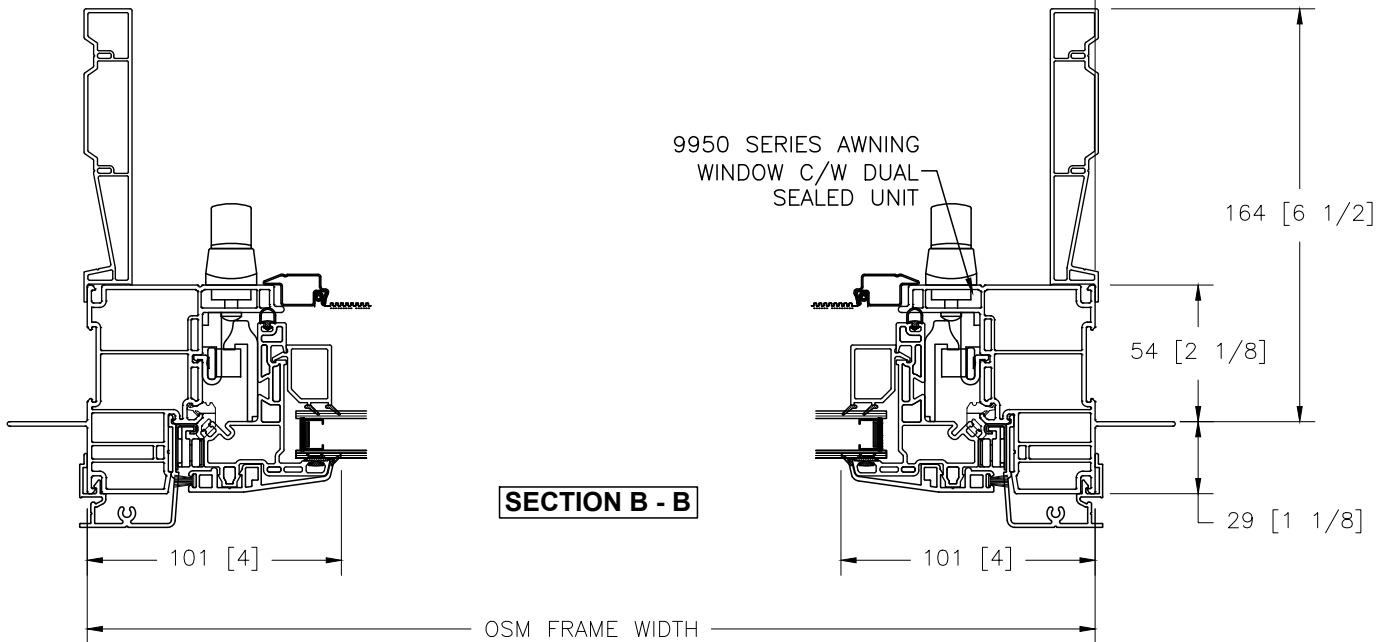
HEAD DETAIL
FRAME DIMENSIONS

SECTION A - A

SAMPLE ELEVATION
EXTERIOR VIEW



SILL DETAIL
FRAME DIMENSIONS



SECTION B - B

JAMB DETAIL
FRAME DIMENSIONS

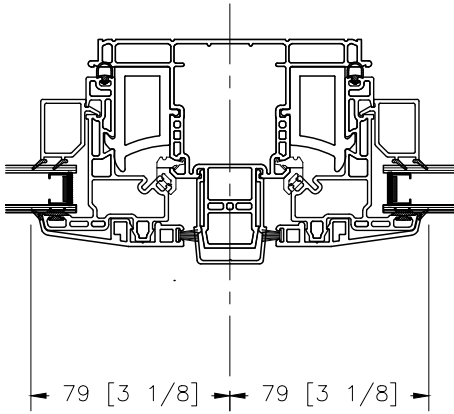


ALL WEATHER
AT HOME

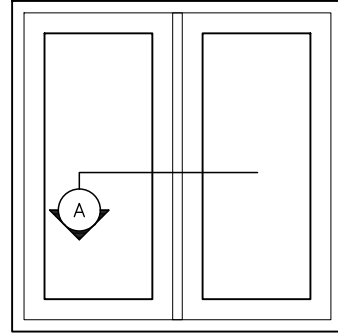
Apex Alloy

9950 Series | AWNING

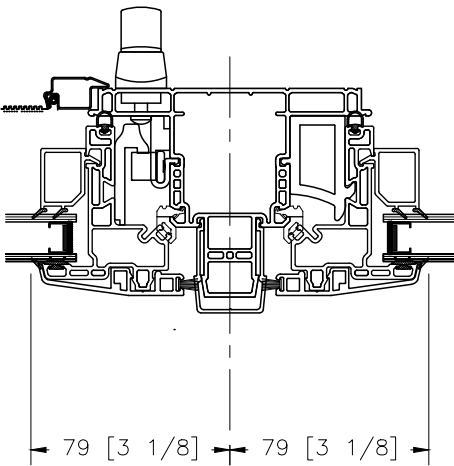
Section Details
MULLIONS



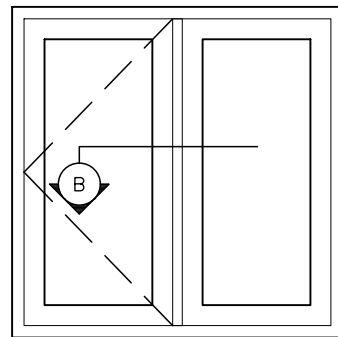
A. FIXED - FIXED
MULLION DETAIL



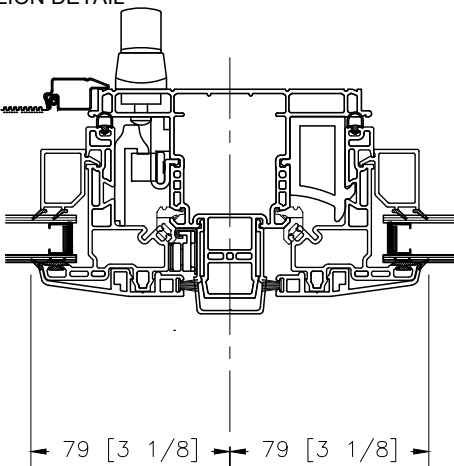
SAMPLE ELEVATION
EXTERIOR VIEW



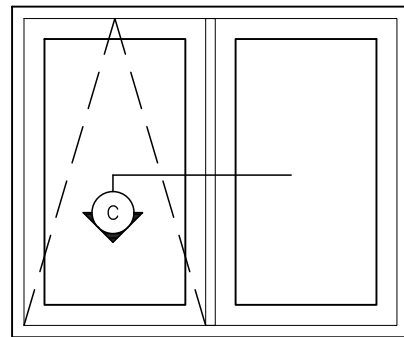
B. CASEMENT - FIXED
MULLION DETAIL



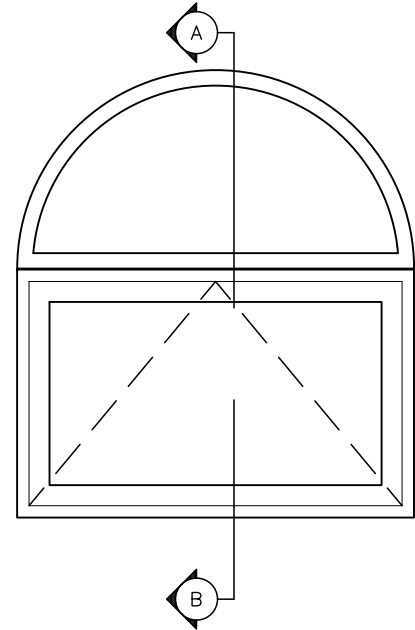
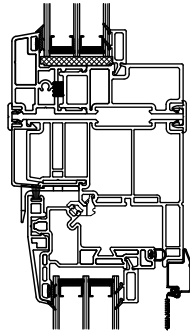
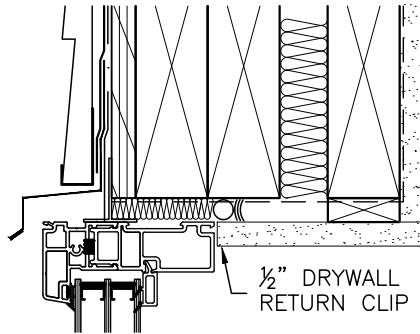
SAMPLE ELEVATION
EXTERIOR VIEW



C. AWNING - FIXED
MULLION DETAIL

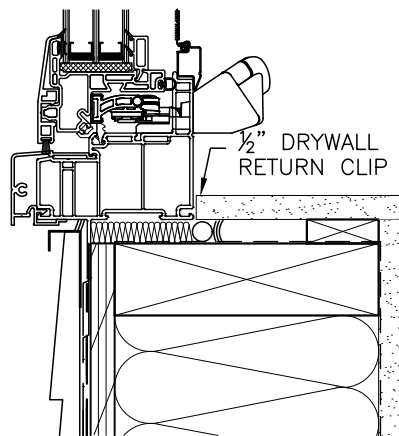


SAMPLE ELEVATION
EXTERIOR VIEW



A - SHAPE FRAME COMBINATION & TRIPANE GLAZING
OPTION WITH DRYWALL RETURN

SAMPLE ELEVATION
EXTERIOR VIEW



B - SHAPE FRAME COMBINATION & TRIPANE GLAZING
OPTION WITH DRYWALL RETURN

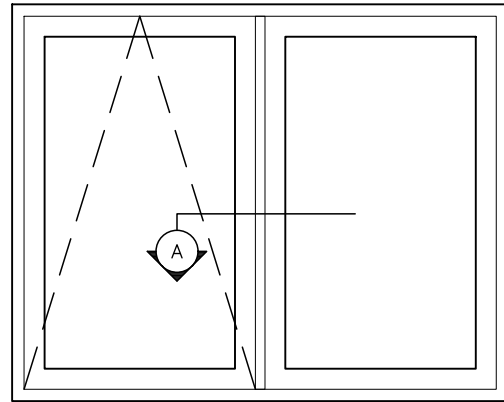
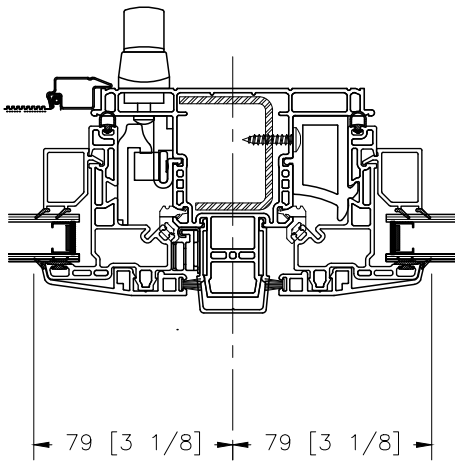


ALL WEATHER
AT HOME™

Apex Alloy

9950 Series | AWNING

Section Details
REINFORCING



A. AWNING - FIXED
STEEL REINFORCED MULLION

SAMPLE ELEVATION
EXTERIOR VIEW

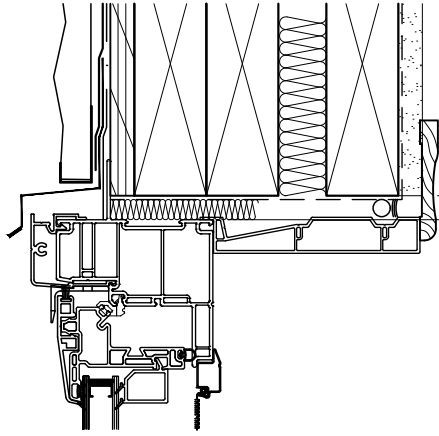


ALL WEATHER
AT HOME™

Apex Alloy

9950 Series | AWNING

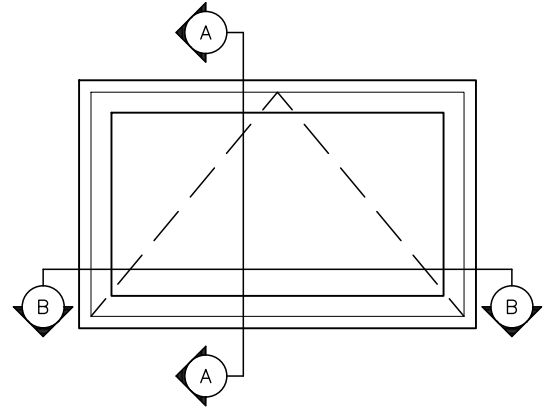
Section Details
WALL DETAILS



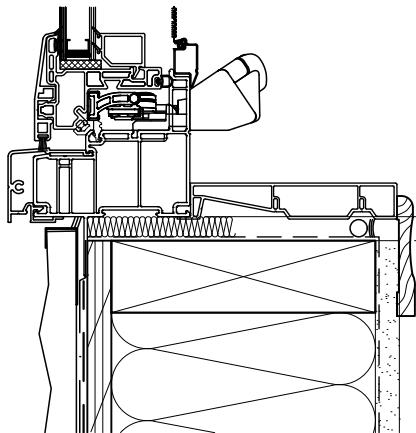
HEAD DETAIL
2x6 STUD WALL

SECTION A - A

OSM FRAME HEIGHT
ROUGH OPENING HEIGHT

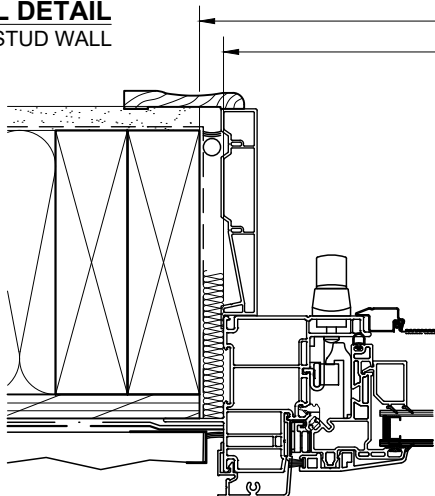
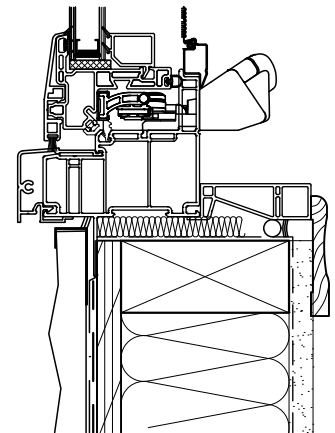


SAMPLE ELEVATION
EXTERIOR VIEW



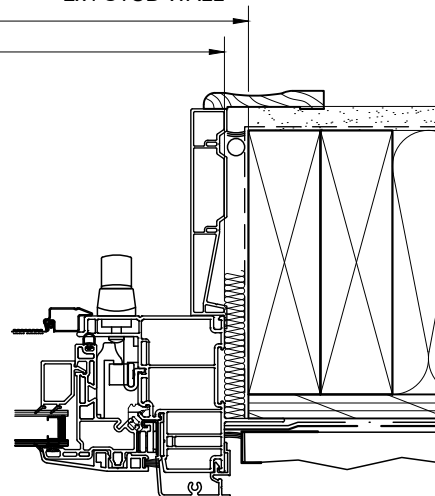
SILL DETAIL
2x6 STUD WALL

SILL DETAIL
2x4 STUD WALL



SECTION B - B

ROUGH OPENING WIDTH
OSM FRAME WIDTH



JAMB DETAIL
2x6 STUD WALL