

**ALL WEATHER  
WINDOWS**

# ATMOSPHERE FOLDING DOOR

## PVC Frame (FD 27) Installation Package

### Configurations

1 Panel, 3 Panel, 5 Panel, 7 Panel, and 9 Panel

**TABLE OF CONTENTS:**

Title Page.....Pg.1

Table of Contents.....Pg.1

Tools Required.....Pg.2

Elevation View Parts List.....Pg.3

Plan View Parts List.....Pg.4

Elevation View Drawing.....Pg. 5

Plan View Drawing.....Pg. 6

Installation Steps.....Pg.7

Step 1: Bottom Track.....Pg.7

Step 2: Jambs.....Pg.7

Step 3: Top Track.....Pg.8

Step 4: Rollers.....Pg.8

Step 5: Levelling Platform.....Pg.9

Step 6: Panel #1.....Pg.9

Step 7: Panel #2.....Pg.9

Step 8: Panel #3.....Pg.10

Step 9: Leveling Platform & Loading and Setting Rollers.....Pg.10

Step 10: Adjustment of Jambs.....Pg.10

Step 11: Doorstop for Swing Panel.....Pg.10

Step 12: Bi-fold Handle.....Pg.10

Step 13: HOPPE Handle.....Pg.11

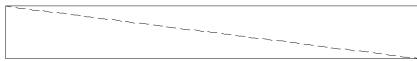
Step 14: Waterproofing.....Pg.11

Operation.....Pg.12-13

## TOOLS REQUIRED

- ❖ Laser Level
- ❖ Drill
  - #1, #2, #3 Robertson Bit.
  - #2 Phillips
  - 1/8" Drill Bit
- ❖ Tape Measure
- ❖ Allen Keys
  - 2.5mm, 3mm, 5mm
- ❖ Cedar Shims
- ❖ Hammer
- ❖ Caulking
- ❖ 1x4" or 2x4" Shims

Ex.

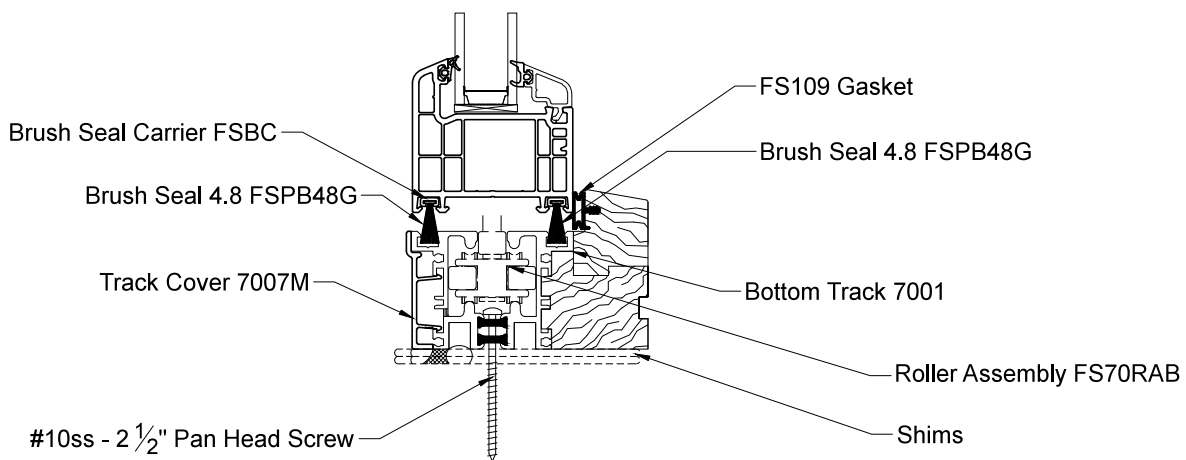
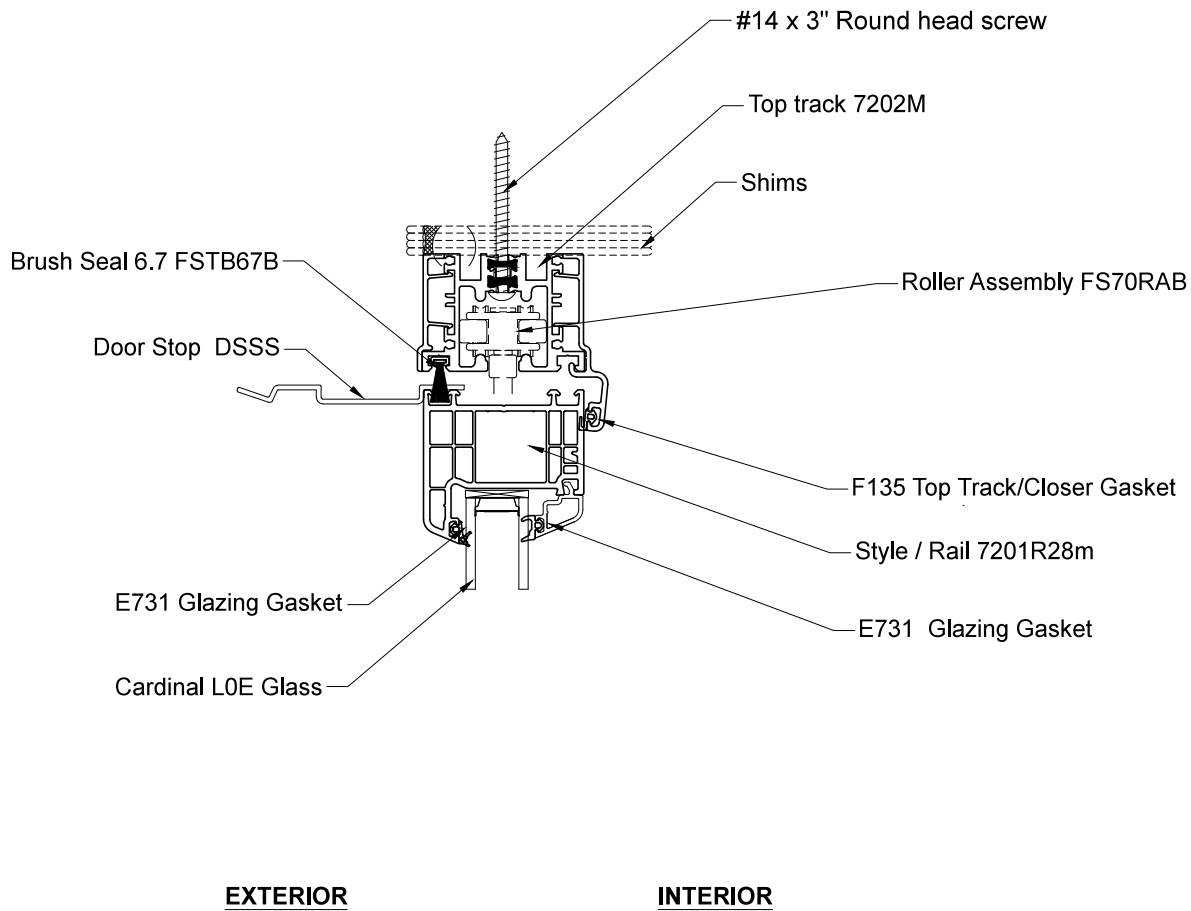


- ❖ Richards Bar (recommended)
- ❖ Knife
- ❖ Rod 1/2" (for water proofing)

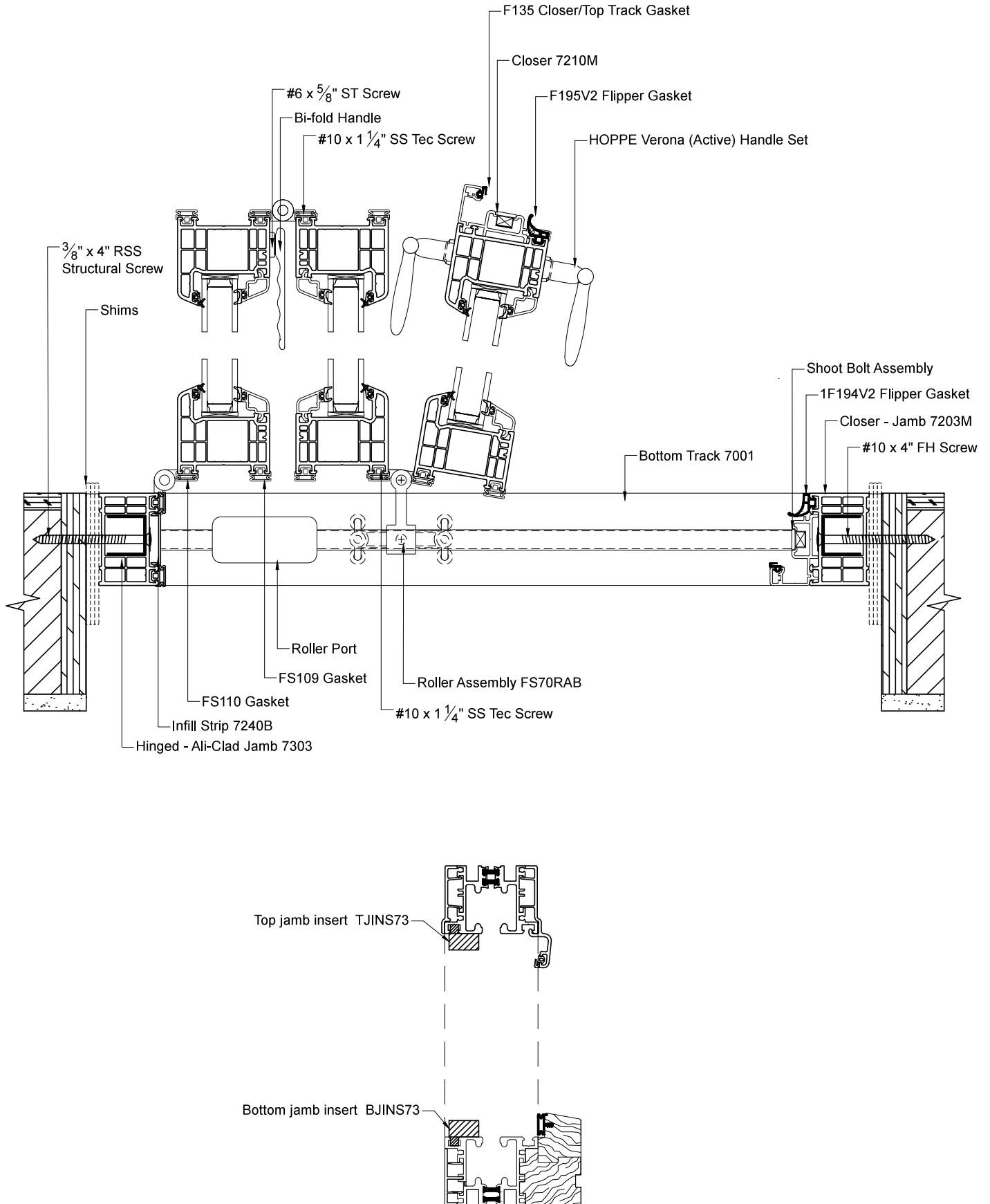
### **\* If Drilling into Concrete**

- ❖ Hammer Drill
  - 5/16" Drill Bit
  - Nylon Plugs (8mm x 40mm) – 5/16" x 1 1/2"

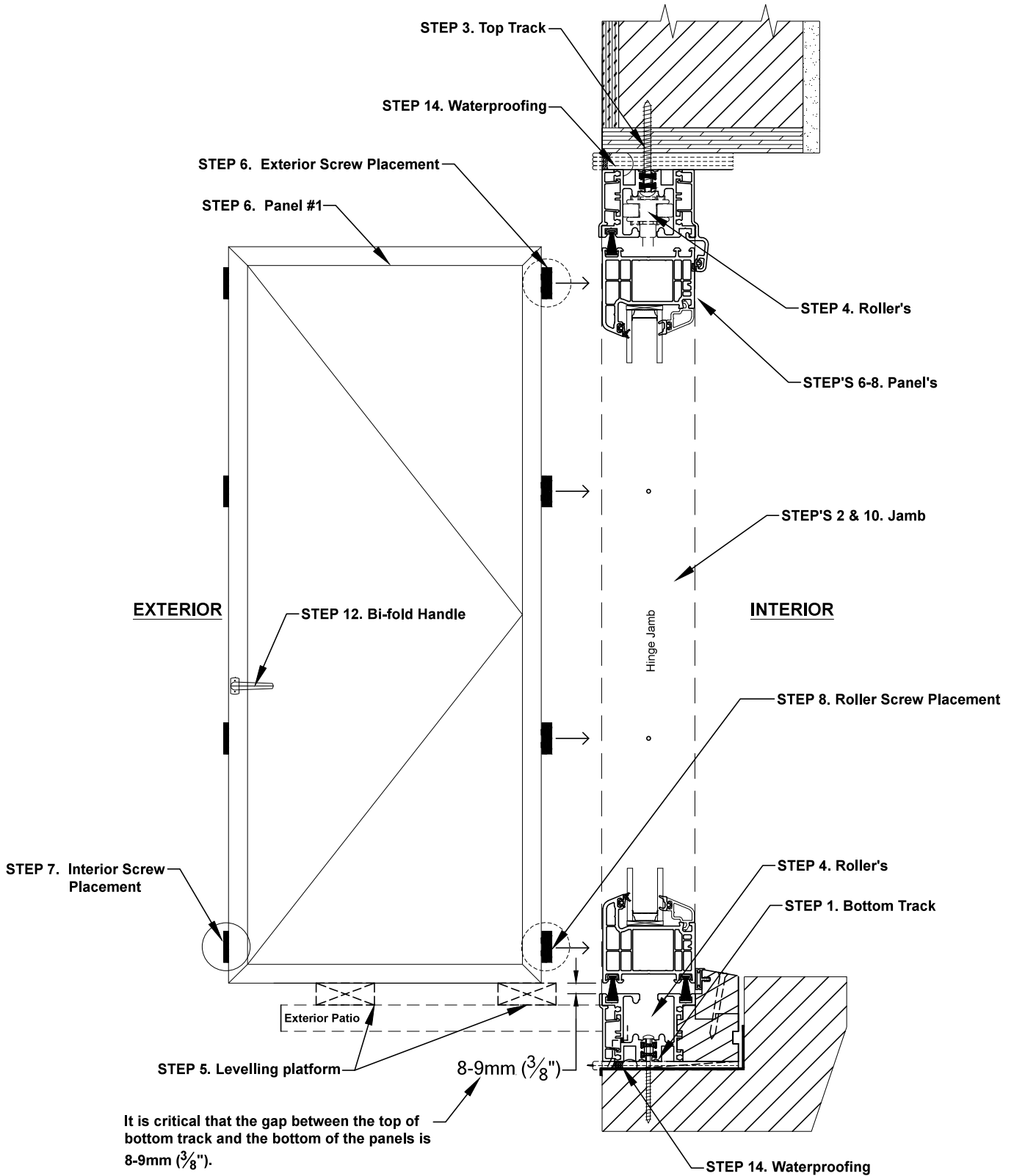
# FD 27 SECTION VIEW PART LIST



# FD 27 PLAN VIEW PART LIST

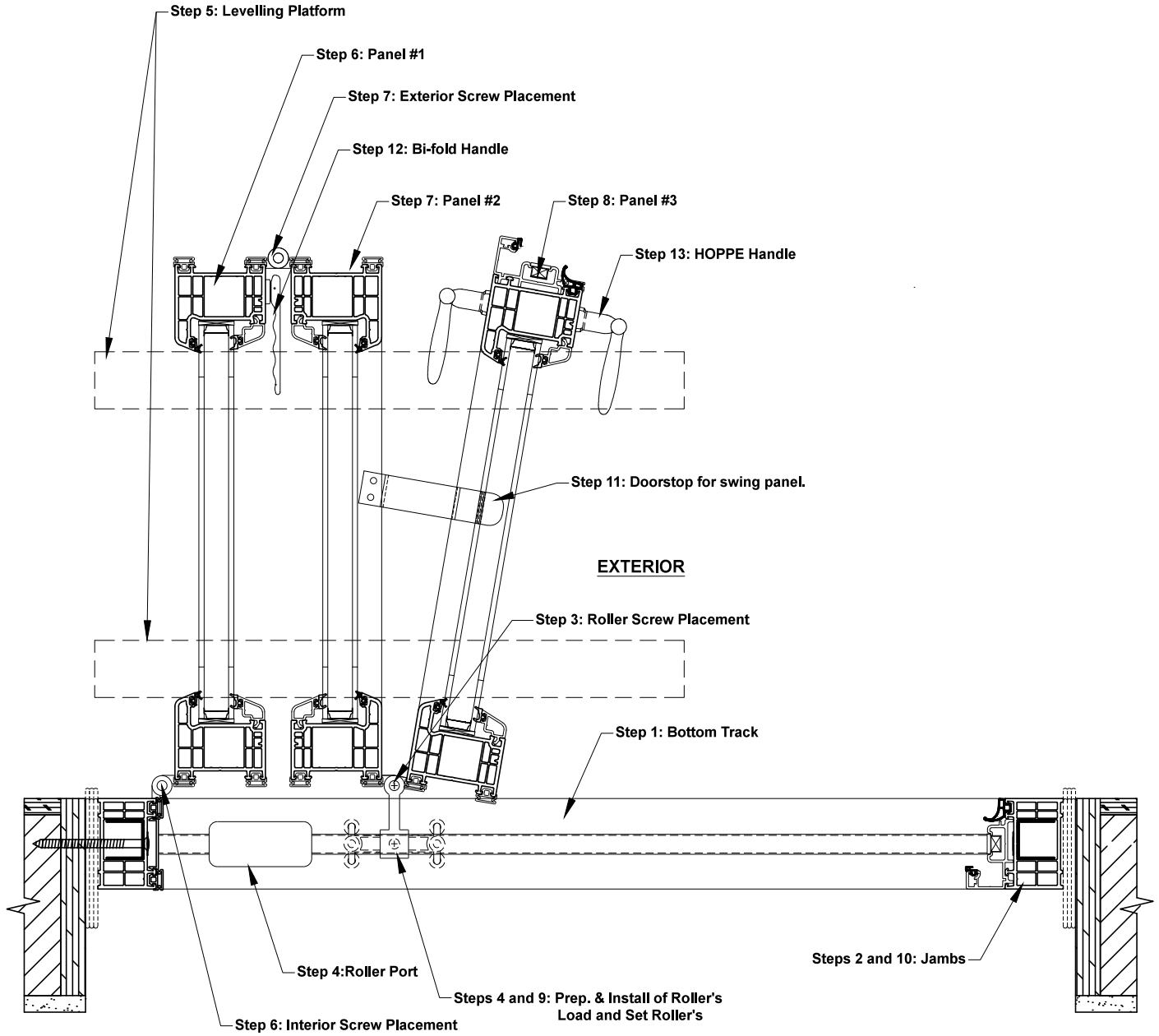


# FD 27 ELEVATION VIEW DRAWING



FD 72 PLAN VIEW DRAWING

CONFIGURATIONS: 3 Panel, 5 Panel, 7 Panel, 9 Panel





## Installation Instructions for PVC Frame (FD 27) Configurations:

1 Panel, 3 Panel, 5 Panel, 7 Panel, and 9 Panel

**BE SURE TO READ ALL INSTRUCTIONS PRIOR TO INSTALLING YOU DOOR UNIT**

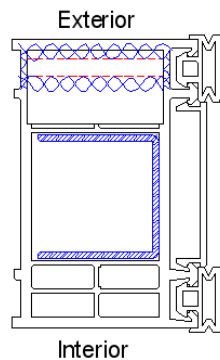
### Step 1. Bottom Track.

- Make sure the opening is made to the correct dimensions as per the sign-off drawing included as well as waterproofed to building code requirements. Install bottom track with roller port on the stacking side and oak rebate facing the interior.
- Place bottom track in the rebate cut out, with the oak sill to the interior and roller port to the stacking side and center it within the RO and mark where the pre-drilled holes are.
- Remove the bottom track, and where you marked the pre-drilled holes; place the needed number of shims (use shims provided) so that the oak rebate will be flush with interior finished floor. Using a laser level and tape measure make sure that shims are level along the Rebate in both directions.
- Place the bottom track in the rebate and on the shims you have now set level and to the required height. Making sure to mount the track flush to the exterior face sheeting (typical). Using screws provided (#10 x 2 1/2" SS pan head) screw both ends of the track as well as the center (silicon screws before installing to ensure no water infiltration), and re check to make sure that the bottom track is sitting firm and level in both directions, as well as straight.
- Once you have ensured the track is level and straight proceed to put the remaining bottom track screws in.

### Step 2. Jambs.

- Identify the hinge jamb for stacking side and latch jamb as per FIG 1 thru 2.  
**NOTE:** Measure jamb length from top and bottom of vinyl (do not include the protrusion of the jamb inserts) and note in the space provided in Step 3. (a)

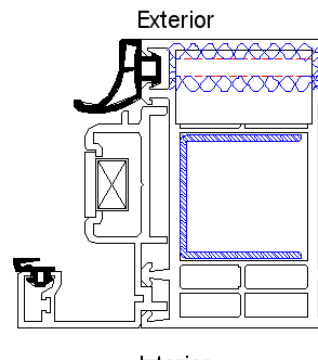
FD 27 HINGE JAMB LEFT



**FIG 1.**

Used for all configurations

FD 27 CLOSER JAMB

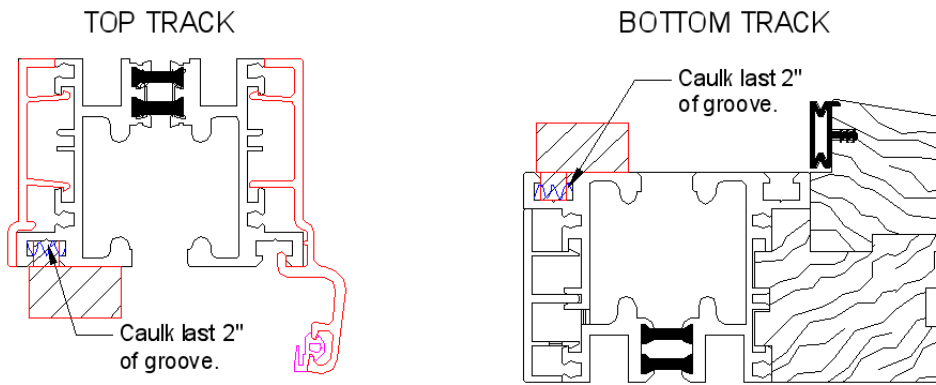


**FIG 2.**

1L, 3L, 5L, 7L, and 9L.  
For right hand configurations use mirror image.

- Caulk ends of both jambs as shown in Fig's 1 thru 3 depicted by squiggly lines. Pre screw in 2 (#10 x 4" FH Screw) and 2 (3/8" x 4" RSS structural screw) into top and bottom pre-drilled holes on both jambs for ease of installation.





**FIG 3.**

- c) Caulk the last 2" of the outside groove of both top and bottom tracks before inserting jambs, as shown in FIG 4.
- d) Each jamb has a jamb insert top and bottom; That will be inserted into the outer side grooves of the bottom & top track.
- e) Screw both jambs square and plum to bottom track using screws already preset in Step 2. Only screw in top and bottom of jambs (leave the rest till Step 10.).

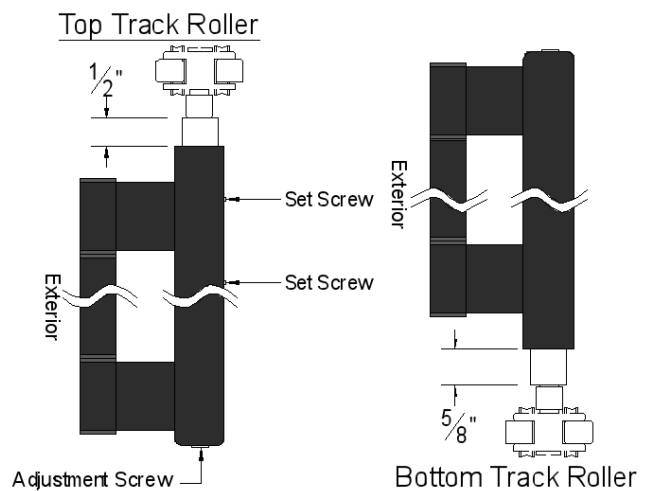
**Step 3. Top Track**

- a) Set top track on top of jambs; make sure that the top track is tight to top of jambs (Use cedar shims above jambs).
  - ❖ **Jamb length** \_\_\_\_\_
- b) First will be to place shims and screw in the center of the top track. To do this, take the above **Jamb Length** and depending on the length of your door, add the necessary camber, see below example for camber. Using screws #14 x 3" round head screw and shims provided, screw center of track. Once that has been set, screw and place all other top track screws and shims.
  - ❖ Recommend having a 1/16" (1.5mm) camber per 8' of top track.

Ex. An 8' door is recommended to have a 1/16" (1.5mm) camber and from 16' up it is recommend having a 1/8" (3mm) camber. For doors over 16' use a 1/8" camber and no larger.
- c) Remove any access caulking on the exterior face of the top and bottom jambs where they meet with the top and bottom track.

**Step 4. Rollers**

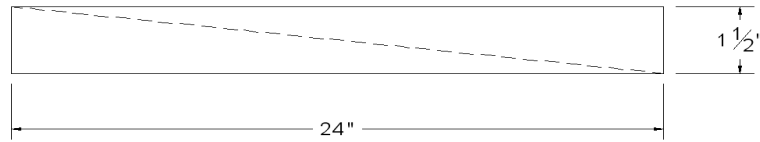
- a) Using a 2.5mm Allen key loosen two setscrews on the side of all the rollers, as shown in FIG 4.
- b) Using a 5mm Allen key to adjust the roller 1/2" (12.5mm) for top track roller(s) and 5/8" (15.5mm) for the bottom track roller(s) using the adjustment screw, as shown in FIG 4.
- c) Insert all rollers into the roller port (cut out in track) of the top and bottoms tracks. (**It is critical to insert rollers before installation of the panels**). Tilt the roller assembly as you place it into the roller port.
- d) Once in, push rollers to far end of stacking side. That way when installing the panels, the top does not hit the rollers.



**FIG 4.**

### **Step 5. Levelling Platform**

- Using a leveling platform will help; level the panels, align the hinges, and support the panels for ease of installation.
- Make 2 pairs of tapered shims out of 1x4" or 2x4" depending on the clearance between the bottom of the door panels and the patio or floor system. The shims will allow you to easily adjust the leveling platform to the required height. (See Elevation Drawing, Pg. 5)
- Set the levelling platform to be 5/16" – 3/8" (8-9mm) above the bottom track. Ensure the platform is solid and not going to easily move. Platform should be long enough to span the thickness of all panels.



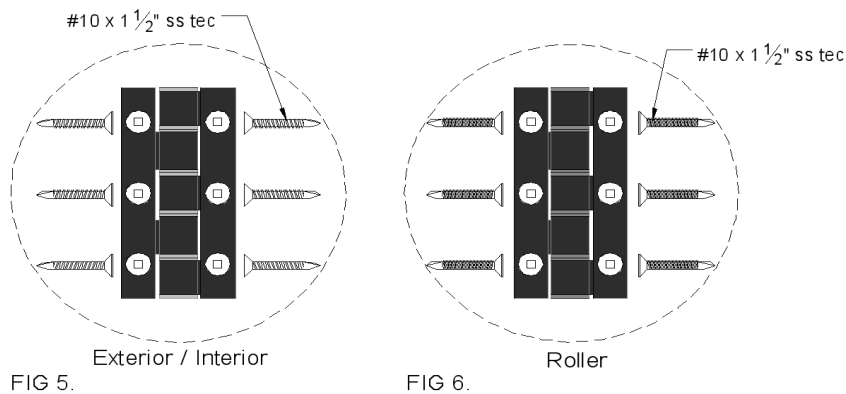
- \* It is critical to have the proper spacing of 5/16" - 3/8" (8-9mm) for the door to operate properly. (Recommend using the key stock provided in the HOPPE handle kit.) Using the key stock, place it on top of the bottom track, it should slide just under the bottom of the panel which ensures that it is 8-9mm above the top of the bottom track.**

### **Step 6. Installation of panel #1.**

- Place panel #1 (which has a single bi-fold point with a 2-point lock assembly) feather gasket side down on the leveling platform, perpendicular to the bottom track and close enough to the hinge jamb to align and attach the hinges that are already attached to door panel #1.
- Attach doors to jamb using machine screws provided and shown below. Do not move the hinges that are attached to panel #1. If the hinges do not exactly line up with the backer plates in the jamb, you can slightly move the backer plates up and down with in jamb.

❖ Exterior/Interior hinge use 3 - #10 x 1 1/2" SS tec

#### **SCREW PLACEMENT**



- Double check that panel is set to the correct height above the bottom track, as it is crucial for the installation of the following panels.

### **Step 7. Installation of panel #2.**

- Place panel #2 interior face - to - interior face and feather gasket side down.
- Using a straight edge on top (or Hoppe key stock), ensure that the panels are inline and level.
- Attach interior hinges using screws provided (3 - #10 x 1 1/2" SS tec). See Fig 5.
- Attach the top and bottom rollers to the panel (make sure rollers are set to the correct dimension as per page 8 FIG 4.) using screws provided (See FIG 6.). Make sure that the roller hinges are set 11/32" (8 mm) from the bottom of the panel and 11/32" (8 mm) from the top of the panel.
- Attach top roller to the panel first, ensuring that the panel is level and straight with panel one. Then attach bottom roller, once both rollers have been installed attach hinges in between as per FIG 5.

**Step 8.** Installation of **panel #3.**

- a) Place panel #3 exterior face – to – exterior face and feather gasket side down.
- b) Using a straight edge on top, ensure the panels are inline and level.
- c) For attaching rollers to panels repeat **Step 7:** (d) and (e)
- d) Attach the middle hinges as per FIG 5.
- e) Now the panel portion of your 3-panel unit is assembled continue on to **Step 9.**
- f) For 5, 7, and 9 panel configurations repeat steps 6 thru 8 as needed.

**Step 9. Load and set all rollers.**

- a) To remove the leveling platform, you can use the roller assembly to lift the panels. To do this use the adjustment screw on both top and bottom rollers simultaneously. Ensuring the door panels are sitting 5/16" – 3/8" (8-9mm) above the bottom track.
- b) Adjust the bottom roller until it starts to load (feel increased resistance) at that point give it one more 1/4" to 1/2" turn. How smooth the panels are sliding will determine the amount of the last turn when loading the bottom roller.
- c) Test the door for smooth operation.
- d) If the door operates smoothly, remove setscrews on the rollers and use a 1/8" drill bit to make an indentation for each of the setscrews to fit back in firmly, to prevent slippage.

**Step 10. Adjusting the jambs.**

- a) Close the door all the way; this might require you to adjust the jambs to get the required 1/2" gap between the active panel closer and the closer jamb in the case of a 3, 5, 7, or 9 panel configurations.
- b) Add or remove shims from jambs as needed, once you have the required 1/2" (12.5mm) gap at the top and 7/16" (11mm) at the bottom the 1/16" (difference is to counter potential settling), put the middle shims and jamb screws in (use screws provided #10 x 4" flat head screws).
- c) Once all adjustments are complete, clip in the black plastic jamb infill's covering the screws.

**Step 11. Panel Catch** (Doorstop) for the swing panel.

- a) On top of the adjacent panel to the swing panel(s), measure in 9" from the outer edge of the panel. (See Fig 10. for example)
- b) Caulk in between the grooves on the top outer side of the panel and slide the aluminum plate over the caulking before screwing down the doorstop.
- c) Place the catch over the area, and then screw down the catch tightly using screws provided (2 - #10x 1 1/4" SS Tec), be sure not to over tighten and strip the screws.

**Step 12.** Installation of **Bi-fold Handle**

- a) Hold handle at a horizontal position and insert the shank into the door.
- b) Make sure the back plate is square to door panel.
- c) Secure firmly using screws provided (2 - #6 x 5/8" ST Screw).

**Step 13.** Installation of **HOPPE Handle.**

- a) Insert the back-plate gasket to the inside of each back plate. Push gaskets firmly into place to ensure a tight seal. Snap the clear nylon bushing into the handle hole of each back plate.
- b) Attach interior and exterior back plates to door and fasten loosely with the M5 phillips head back plate screws provided. (Note: The screw heads must be on the interior side of the door). Check to make sure there is no burrs on the exterior backer plate, as this will interfere with the screws.
- c) Insert the two shafts into one of the handles until it stops. Screw in using a 3mm allen key (provided) till tight.
- d) Holding the handle in the proper horizontal position, insert the handle with shaft attached through the back plate and door handle hole, until handle is firmly seated against the nylon Bushing.
- e) While holding the handle in place, slide the second handle onto the shaft and press both handles together until secure and tight to back plates
- f) Insert the key/knob cylinder or thumb turn Insert from the interior side of the door until cylinder body is flush with back plate.
- g) Install the cylinder screw through the screw hole below the deadbolt on the edge of the door to secure in place.
- h) Hand-tighten back plate screws as much as possible then tighten fully using a #2 phillips bit.
- i) Once back plates have been screwed firmly together, push the handles tight and using the 3mm allen key, screw in the second screw into the second handle.
- j) For installation of the Inactive door handle set, repeat steps (a) through (i) of step 13.

**Step 14.** **Waterproofing**

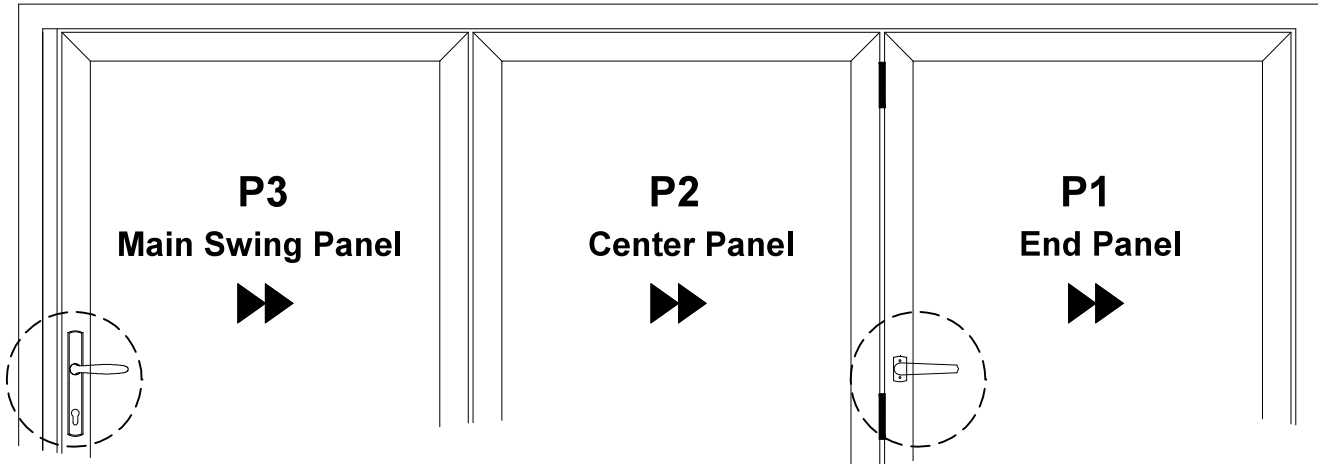
- a) Caulk and Rod both Top and Bottom track as well as the jambs. For example of placement see elevation and plan view drawings on Pg. 5-6.
- b) Be sure to waterproof opening as per building code in your area.

**\* PLEASE NOTE \***

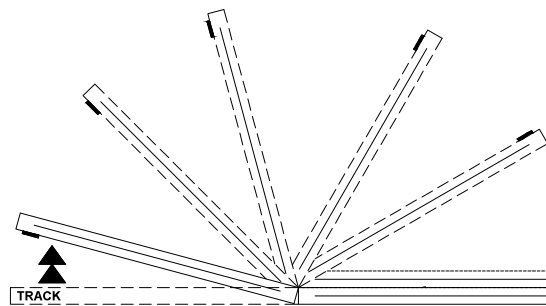
**IF YOU OPERATE THE DOOR OUT OF SEQUENCE**  
**YOU WILL DAMAGE THE GASKETS**

**Should you require assistance please call Jordin Hartmann**  
**@ Cell: 1-(250)-869-6367 or Office: 1-(250)-448-6418**

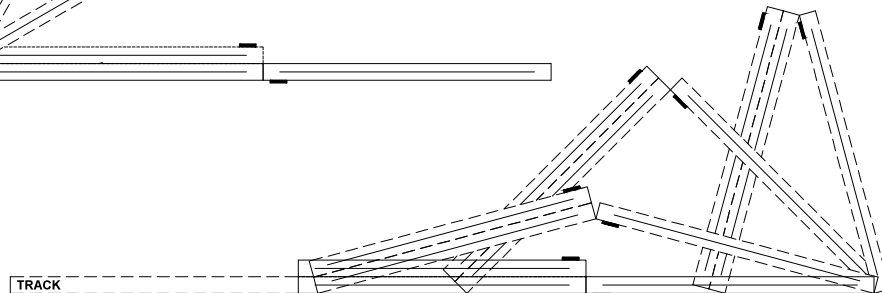
# HOW TO OPERATE YOUR ACTIVE DOOR (RIGHT HAND STACKING OUTWARD OPENING)



1. Starting from main swing panel, OPERATE lever handle then outward open MAIN SWING PANEL inline with adjacent center panel, allowing it to clip in to stop.
2. Release Bi-Fold handle(s) then PUSH center panel adjacent to end panel.
3. Fold all panels back against the wall for maximum opening.



**Stage 1: (Inside View)**  
Swing door opens first  
Fold Fully back in-line

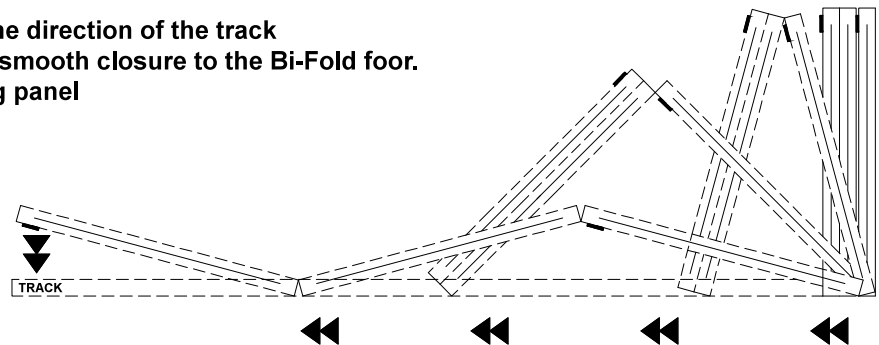


**Stage 2: (Inside View)**  
Push to collapse out, Push  
from Roller side to control door

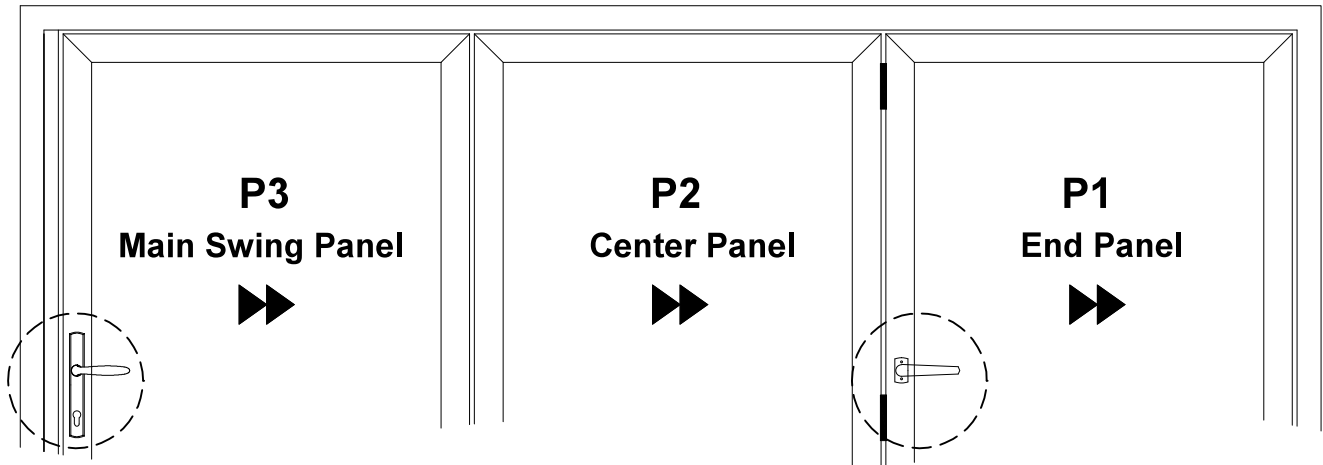
**Stage 3: (Inside View) Fully open position**

## HOW TO CLOSE YOUR ACTIVE DOOR

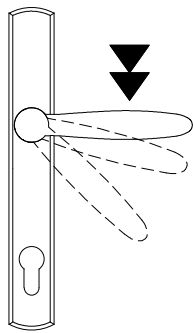
1. Hold panels 2 & 3 and walk in the direction of the track
2. The rollers are utilized giving a smooth closure to the Bi-Fold door.
3. Close and secure the end swing panel



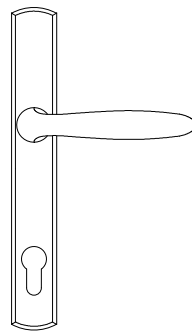
# HOW TO OPERATE YOUR ACTIVE DOOR (RIGHT HAND STACKING OUTWARD OPENING)



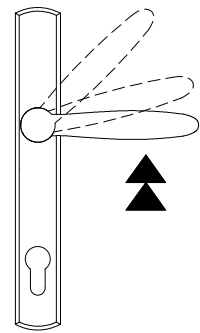
## HOW TO OPERATE YOUR LEVER HANDLE



1.) To Open Push Handle Down at 45 Degrees, and Push Open.

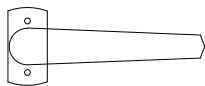


2.) To Close Pull Door Shut to Latch.

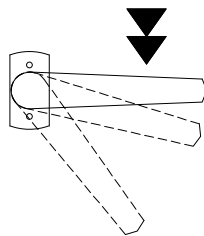


3.) After Latching Pull Handle Up at 45 Degrees, well Pulling In. Then Engage Lock with Thumb Turn & Key.

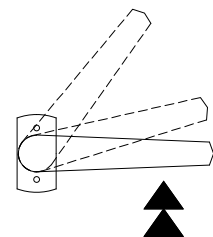
## HOW TO OPERATE YOUR BI-FOLD HANDLE



1.) Bi-Fold Handle in Locked Position.



2.) To Open Bi-Fold Push Handle Down 45 Degrees and release then push out.



3.) To Close Bi-Fold, Pull Up 45 Degrees.