

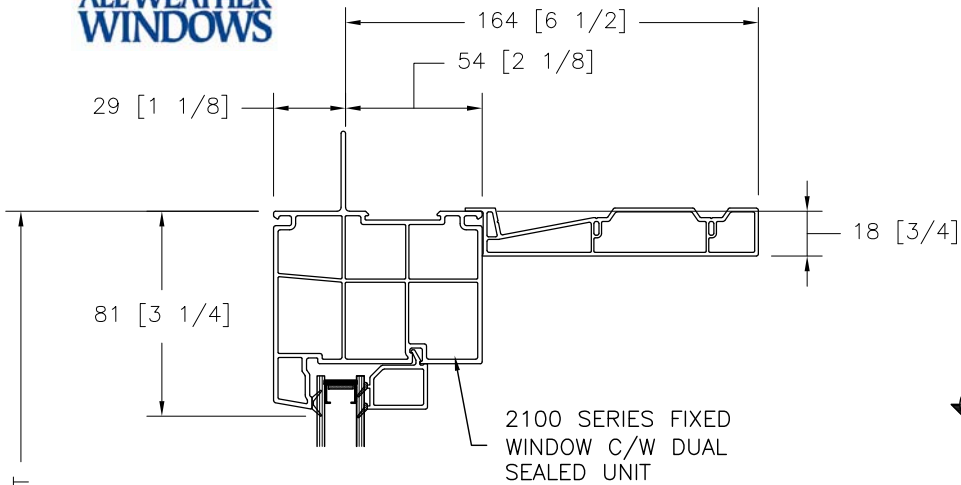


TERRANO

PVC WINDOW SYSTEM

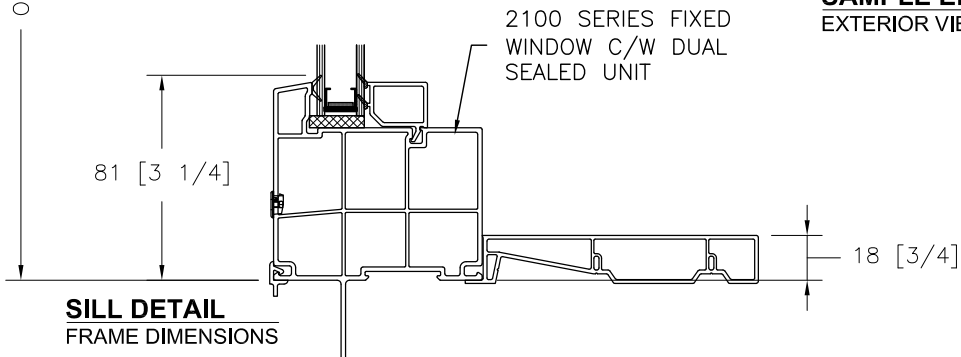
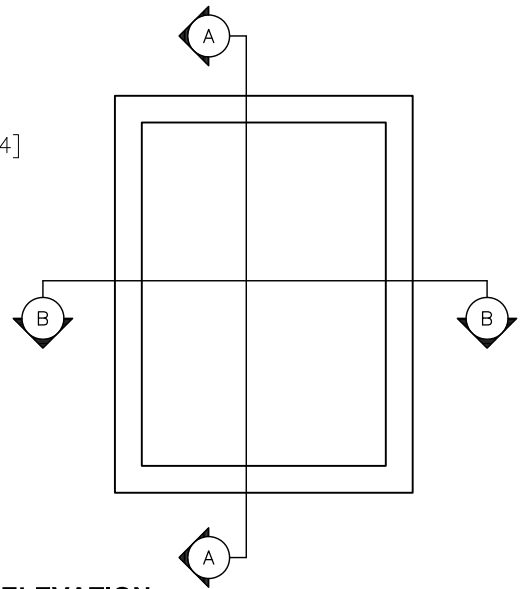
2100 SERIES

SECTION DETAILS FIXED

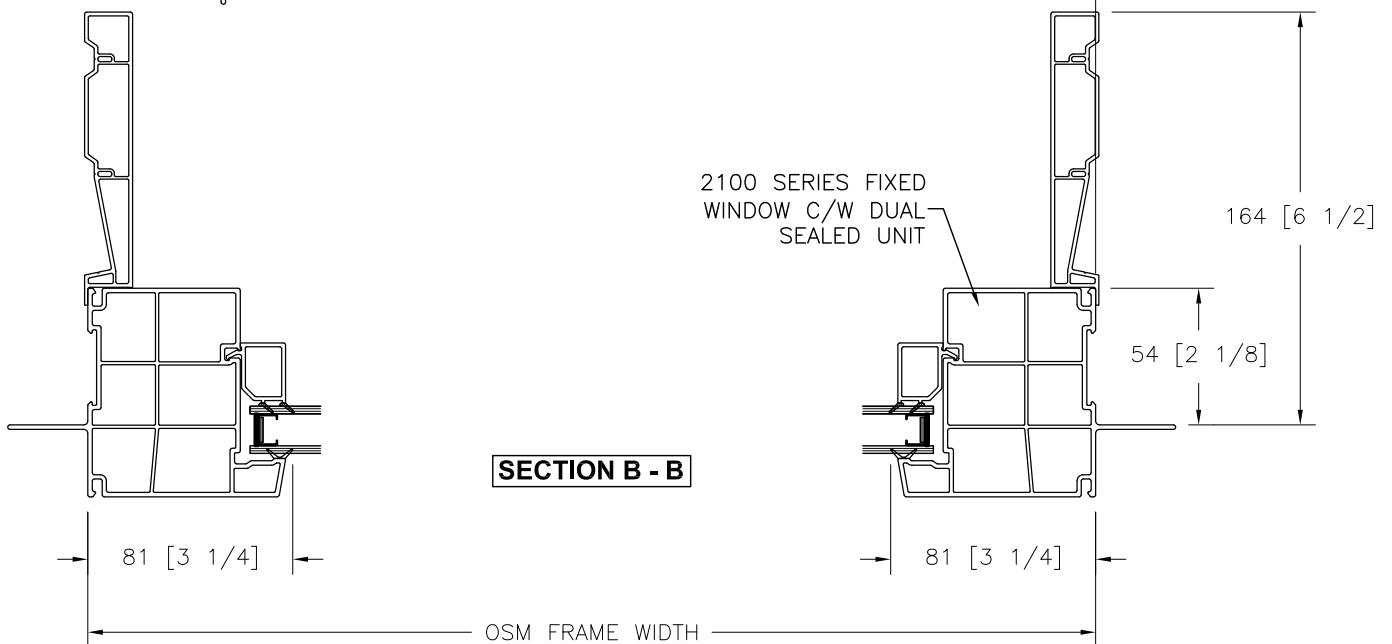


HEAD DETAIL
FRAME DIMENSIONS

SECTION A - A



SILL DETAIL
FRAME DIMENSIONS



SECTION B - B

JAMB DETAIL
FRAME DIMENSIONS



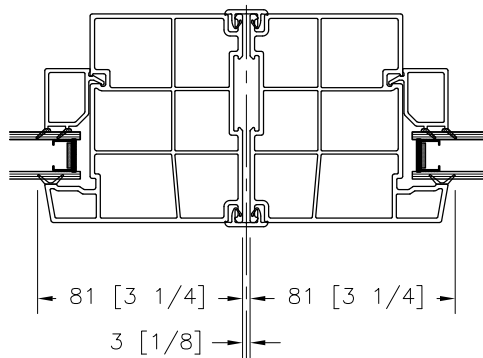
TERRANO

PVC WINDOW SYSTEM

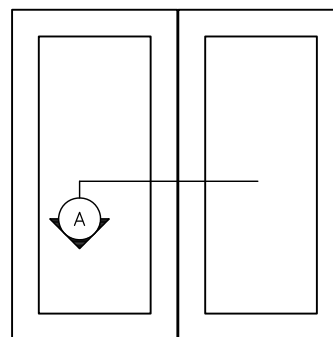
2100 SERIES

SECTION DETAILS

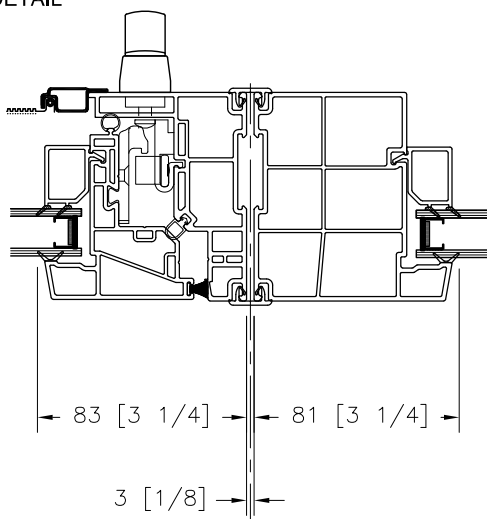
MULLIONS



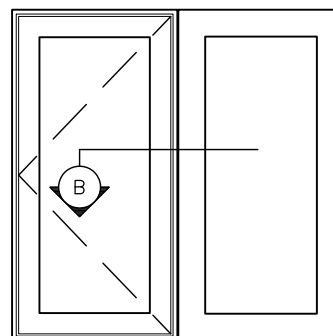
A. FIXED - FIXED
MULLION DETAIL



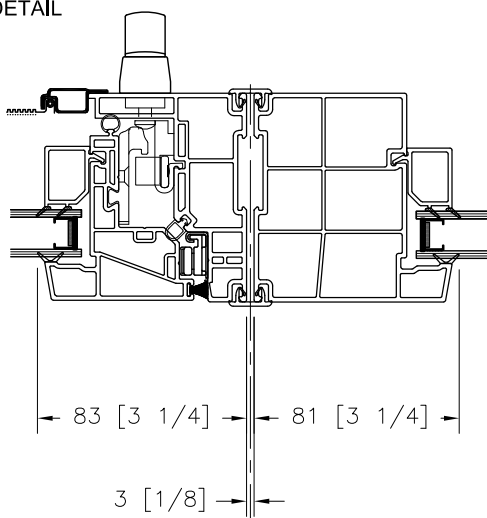
SAMPLE ELEVATION
EXTERIOR VIEW



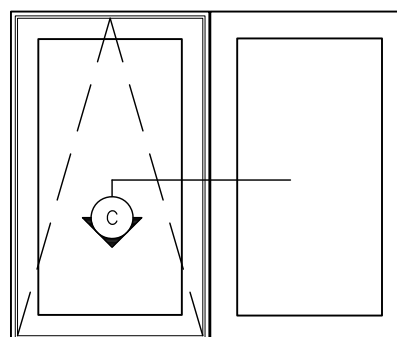
B. CASEMENT - FIXED
MULLION DETAIL



SAMPLE ELEVATION
EXTERIOR VIEW



C. AWNING - FIXED
MULLION DETAIL



SAMPLE ELEVATION
EXTERIOR VIEW

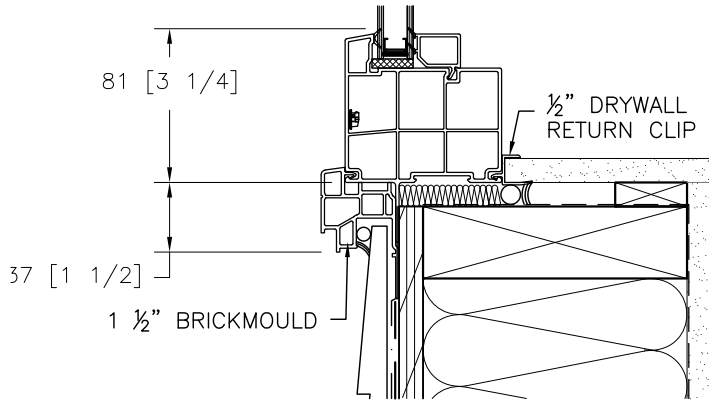


TERRANO

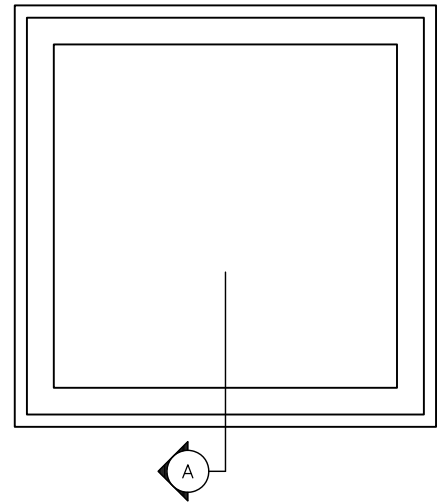
PVC WINDOW SYSTEM

2100 SERIES

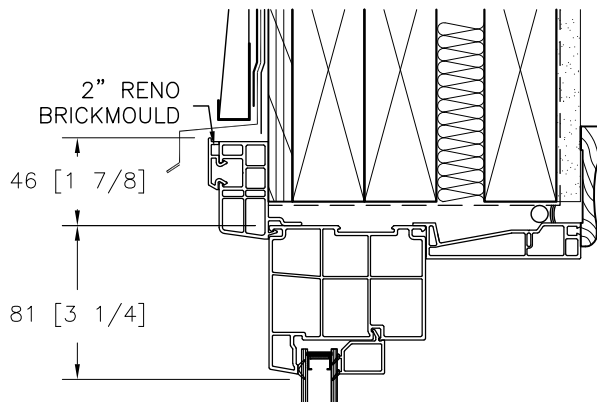
SECTION DETAILS OPTIONS



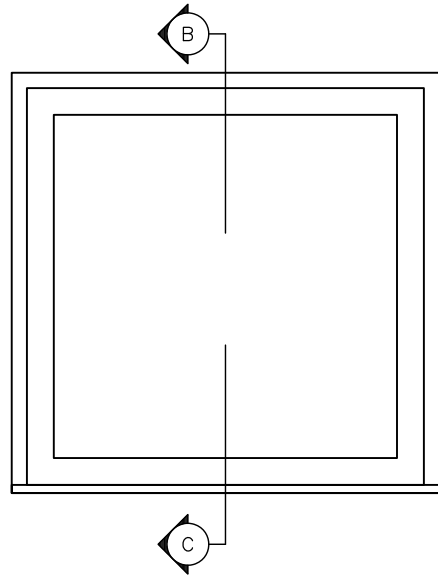
A - 1 1/2" BRICKMOULD AND 1/2" DRYWALL CLIP
 OPTION: 1/2" DRYWALL CLIP SHOWN; 3/4" AVAILABLE.



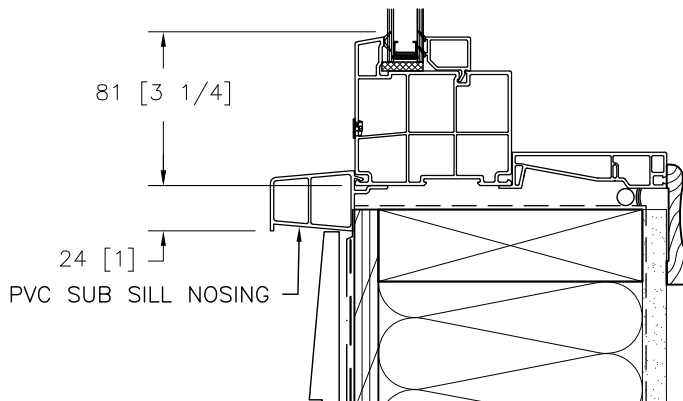
SAMPLE ELEVATION
 EXTERIOR VIEW



B - 2" 'RENO' BRICKMOULD
 OPTION: 2" BRICKMOULD SHOWN; 1 1/2" AVAILABLE



SAMPLE ELEVATION
 EXTERIOR VIEW



C - PVC SUBSILL NOSING
 OPTION



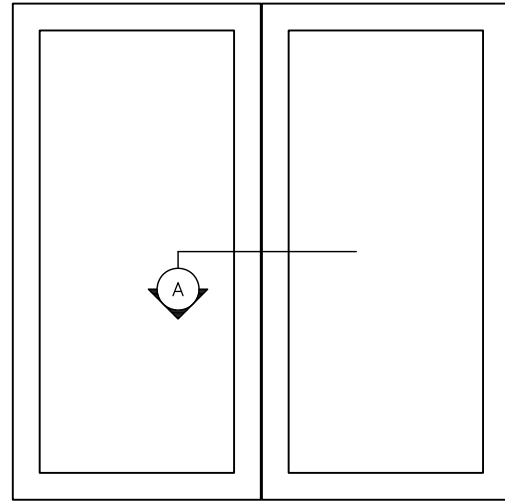
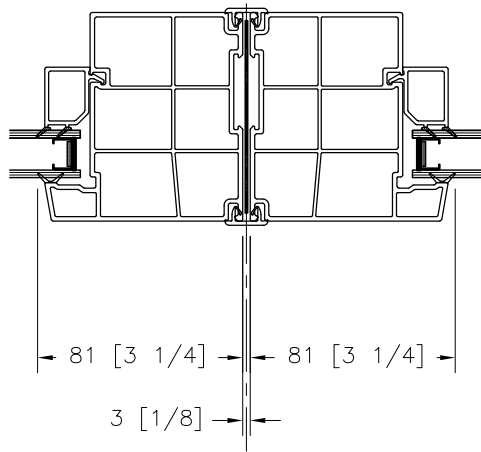
TERRANO

PVC WINDOW SYSTEM

2100 SERIES

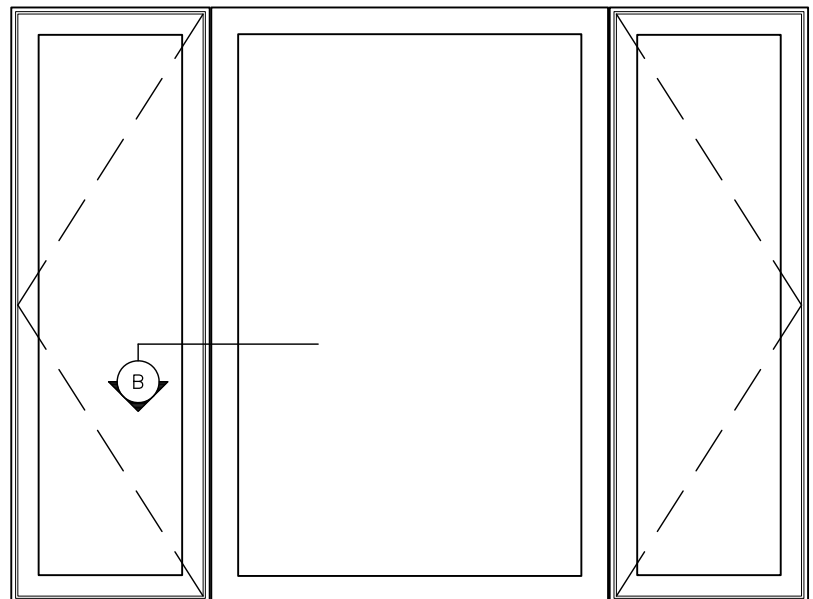
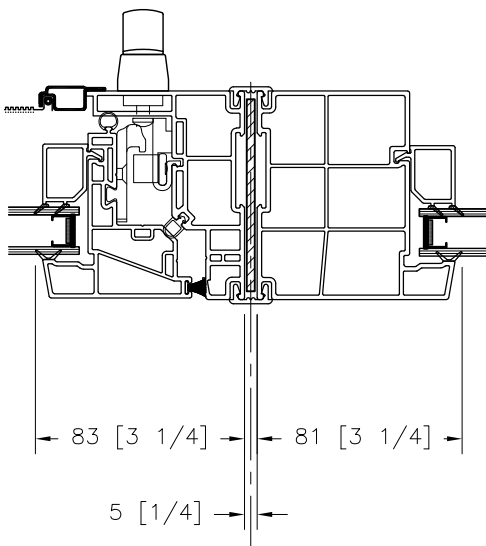
SECTION DETAILS

REINFORCING



A. CASEMENT - CASEMENT
1/32" STEEL REINFORCED MULLION

SAMPLE ELEVATION
EXTERIOR VIEW



B. CASEMENT - PICTURE
1/8" STEEL REINFORCED MULLION

SAMPLE ELEVATION
EXTERIOR VIEW



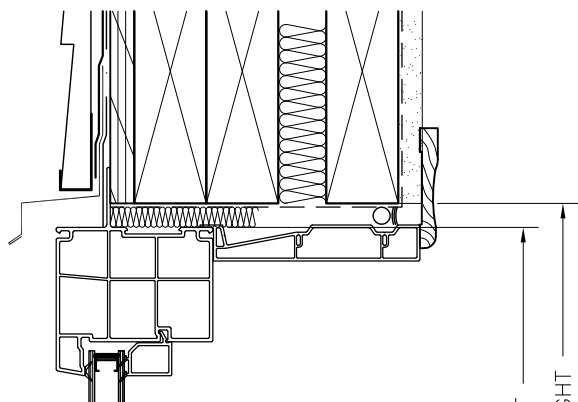
TERRANO

PVC WINDOW SYSTEM

2100 SERIES

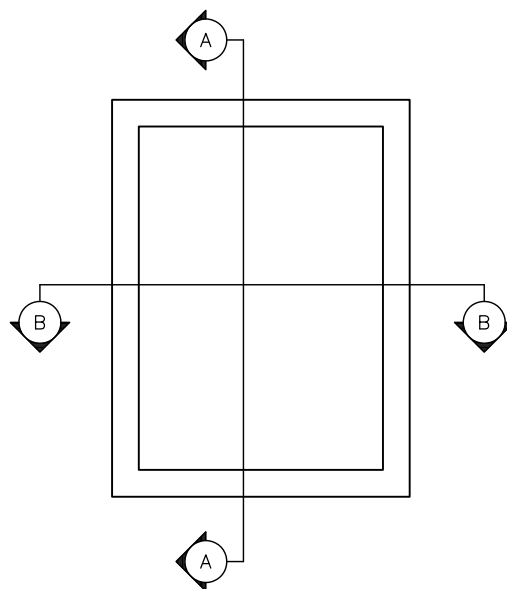
SECTION DETAILS

WALL DETAILS

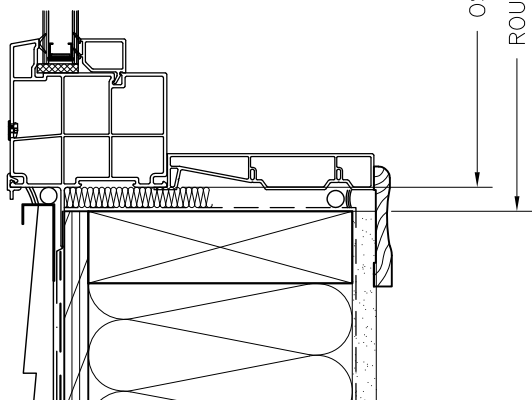


HEAD DETAIL
2x6 STUD WALL

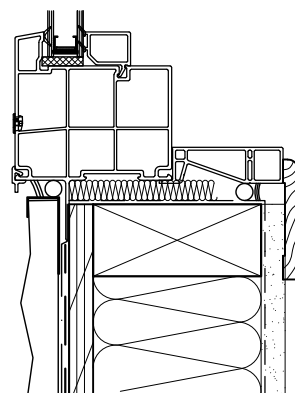
SECTION A - A



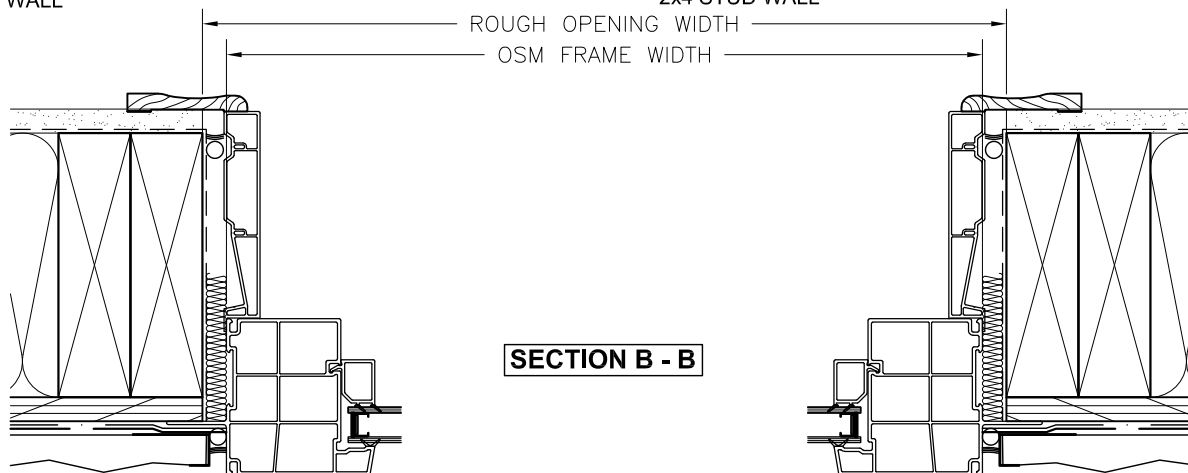
SAMPLE ELEVATION
EXTERIOR VIEW



SILL DETAIL
2x6 STUD WALL



SILL DETAIL
2x4 STUD WALL



SECTION B - B

JAMB DETAIL
2x6 STUD WALL