



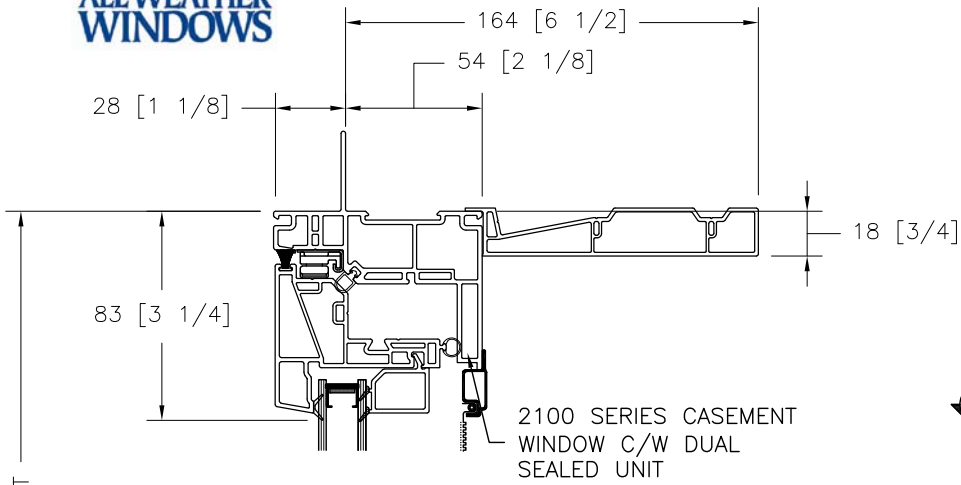
# TERRANO

## PVC WINDOW SYSTEM

# 2100 SERIES

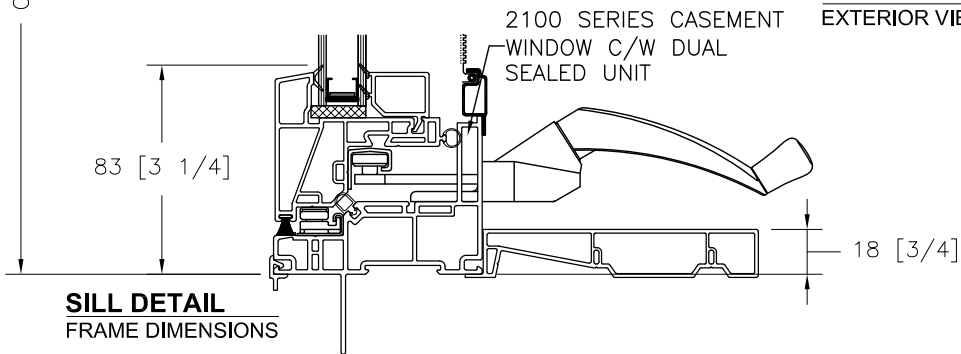
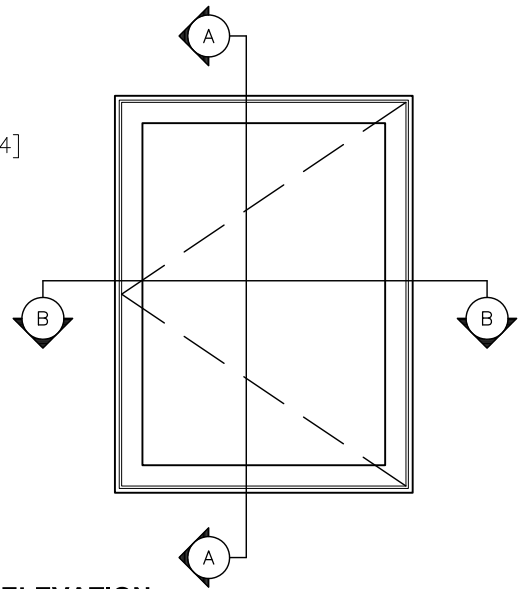
## SECTION DETAILS

### CASEMENT

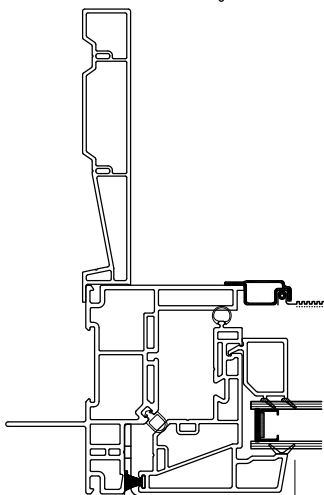


**HEAD DETAIL**  
FRAME DIMENSIONS

**SECTION A - A**

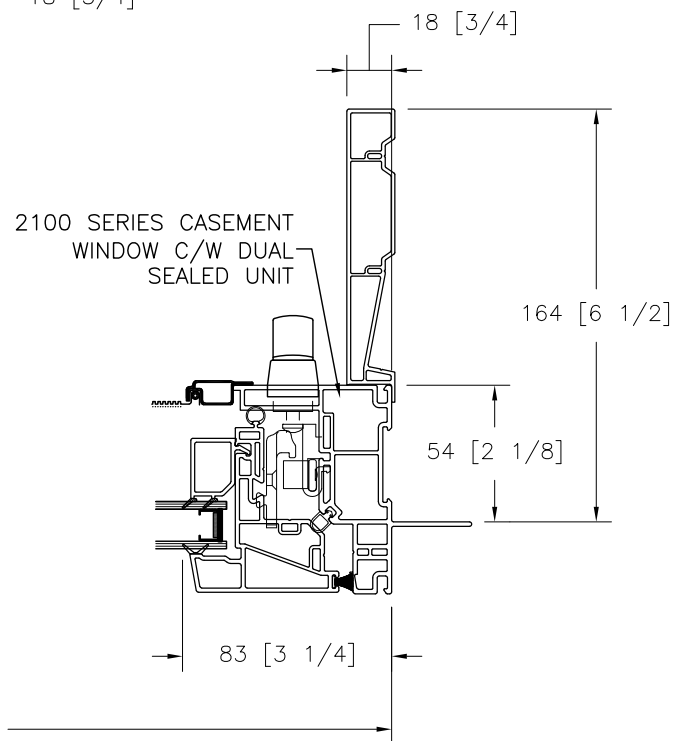


**SILL DETAIL**  
FRAME DIMENSIONS



**JAMB DETAIL**  
FRAME DIMENSIONS

**SECTION B - B**



OSM FRAME WIDTH



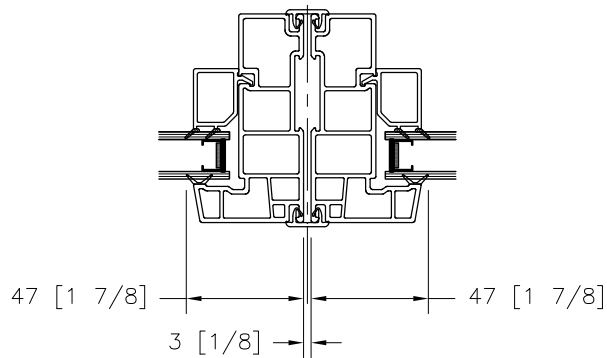
# TERRANO

## PVC WINDOW SYSTEM

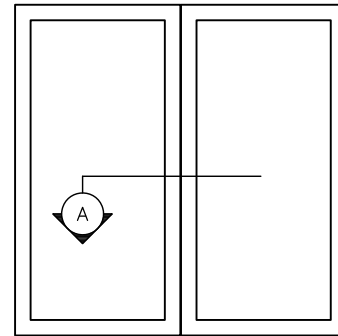
# 2100 SERIES

## SECTION DETAILS

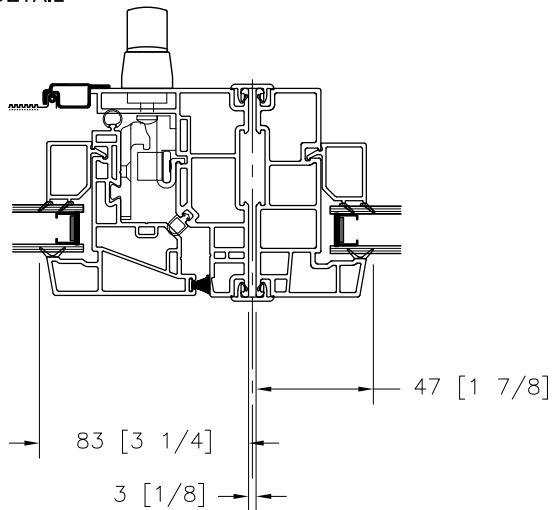
### MULLIONS



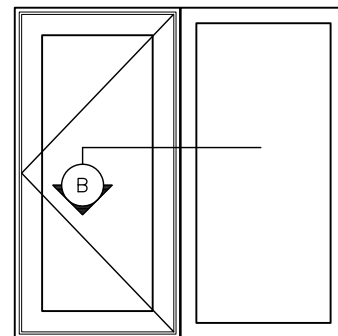
**A. PICTURE - PICTURE**  
MULLION DETAIL



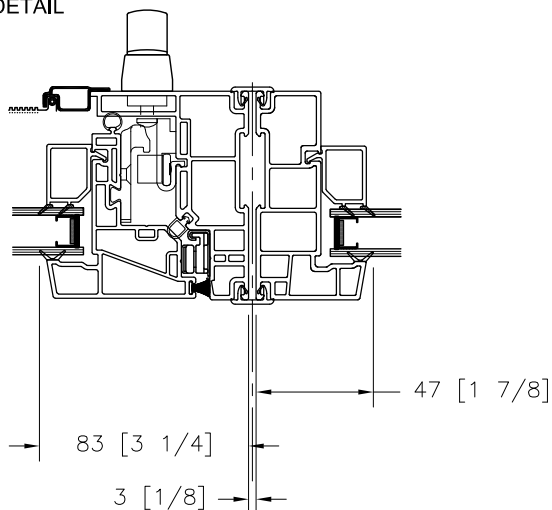
**SAMPLE ELEVATION**  
EXTERIOR VIEW



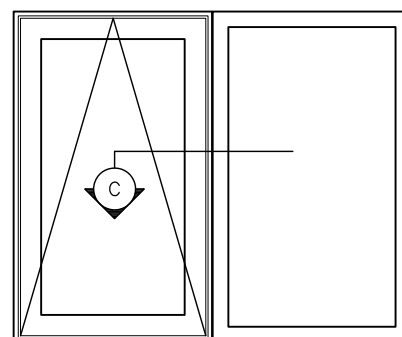
**B. CASEMENT - PICTURE**  
MULLION DETAIL



**SAMPLE ELEVATION**  
EXTERIOR VIEW



**C. AWNING - PICTURE**  
MULLION DETAIL



**SAMPLE ELEVATION**  
EXTERIOR VIEW

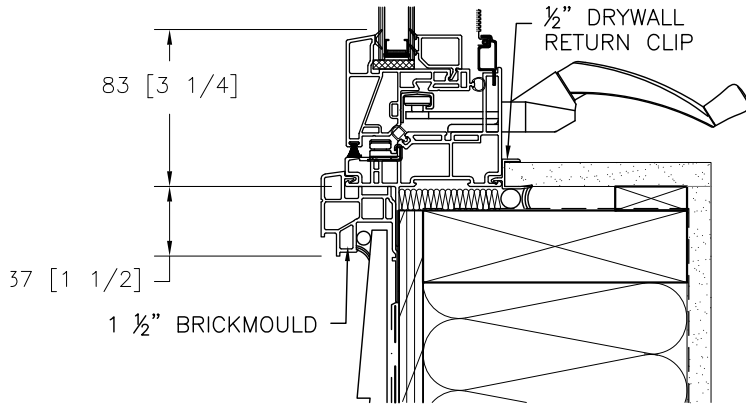


# TERRANO

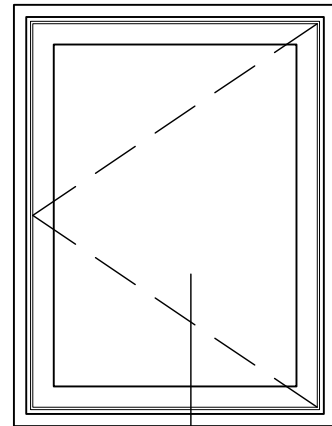
## PVC WINDOW SYSTEM

# 2100 SERIES

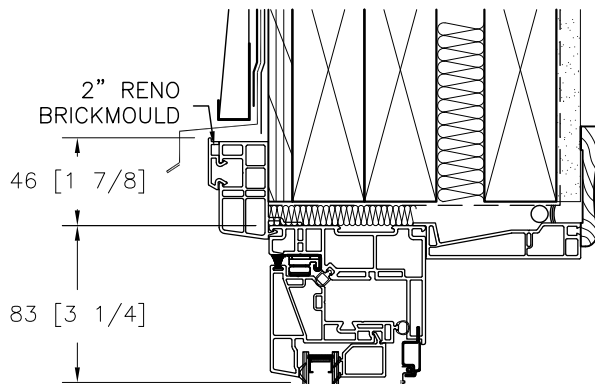
## SECTION DETAILS OPTIONS



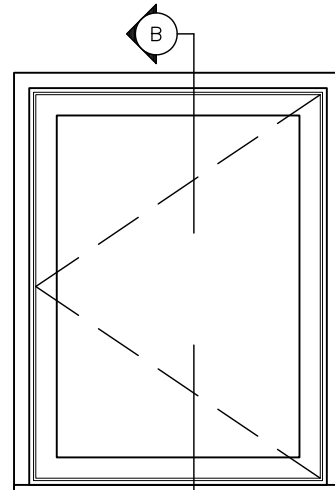
**A - 1 1/2" BRICKMOULD AND 1/2" DRYWALL CLIP**  
OPTION: 1/2" DRYWALL CLIP SHOWN; 3/4" AVAILABLE.



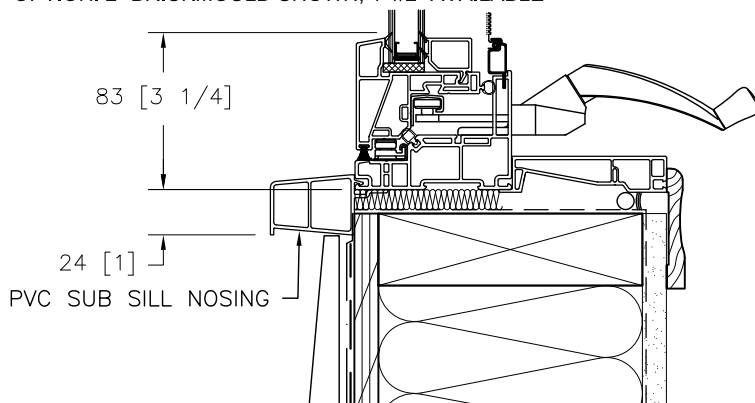
**SAMPLE ELEVATION**  
EXTERIOR VIEW



**B - 2" 'RENO' BRICKMOULD**  
OPTION: 2" BRICKMOULD SHOWN; 1 1/2" AVAILABLE



**SAMPLE ELEVATION**  
EXTERIOR VIEW



**C - PVC SUBSILL NOSING**  
OPTION



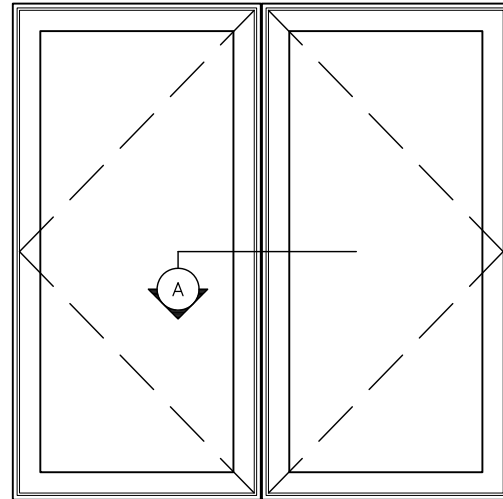
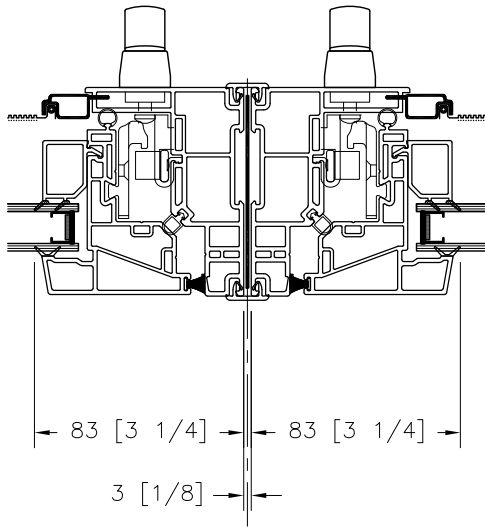


# TERRANO

## PVC WINDOW SYSTEM

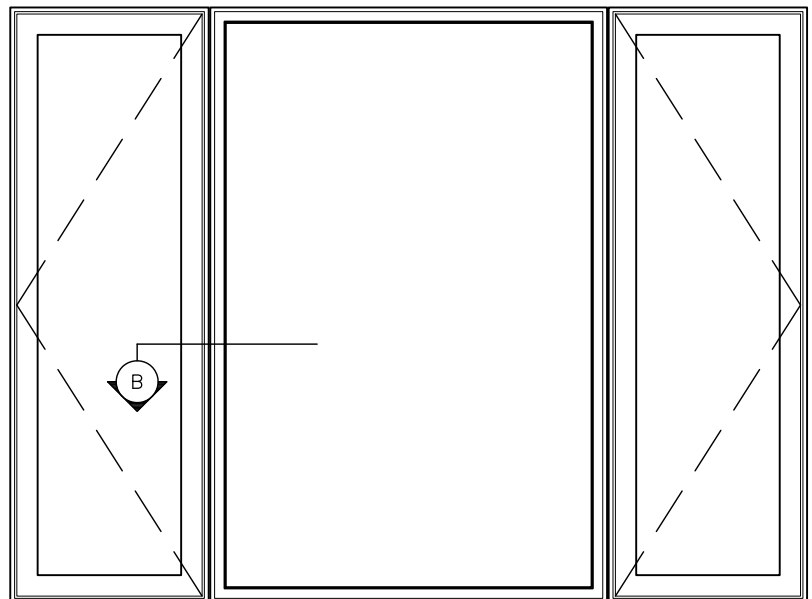
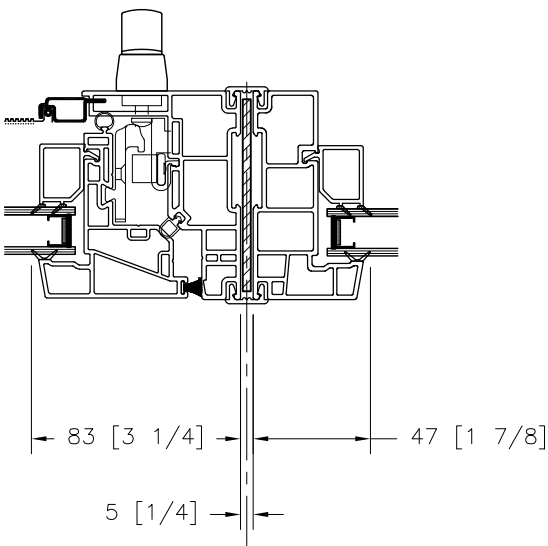
# 2100 SERIES

## SECTION DETAILS REINFORCING



**A. CASEMENT - CASEMENT**  
1/32" STEEL REINFORCED MULLION

**SAMPLE ELEVATION**  
EXTERIOR VIEW



**B. CASEMENT - PICTURE**  
1/8" STEEL REINFORCED MULLION

**SAMPLE ELEVATION**  
EXTERIOR VIEW



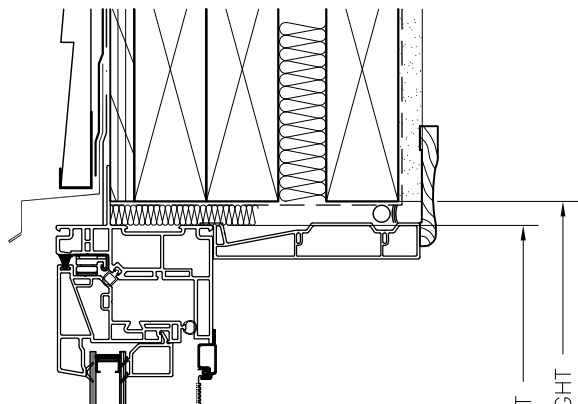
# TERRANO

## PVC WINDOW SYSTEM

# 2100 SERIES

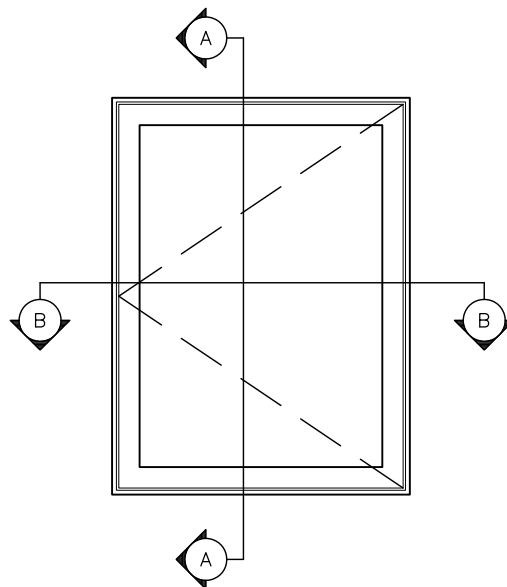
## SECTION DETAILS

### WALL DETAILS

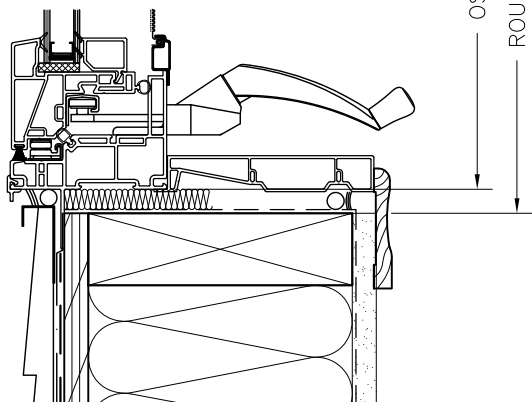


**HEAD DETAIL**  
2x6 STUD WALL

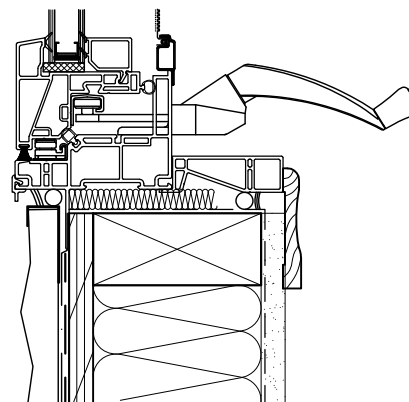
**SECTION A - A**



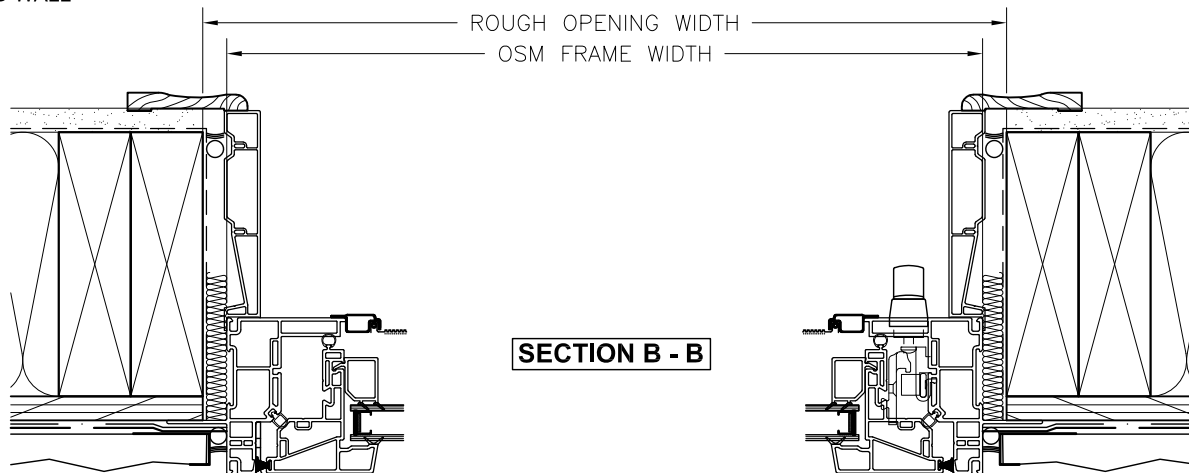
**SAMPLE ELEVATION**  
EXTERIOR VIEW



**SILL DETAIL**  
2x6 STUD WALL



**SILL DETAIL**  
2x4 STUD WALL



**SECTION B - B**

**JAMB DETAIL**  
2x6 STUD WALL