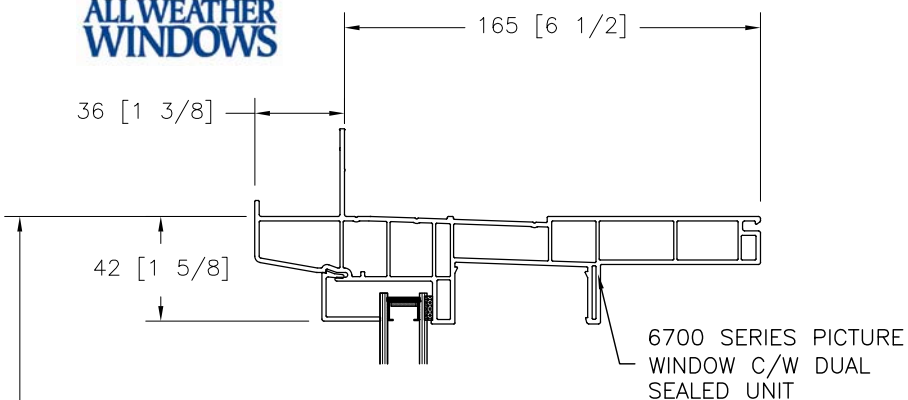




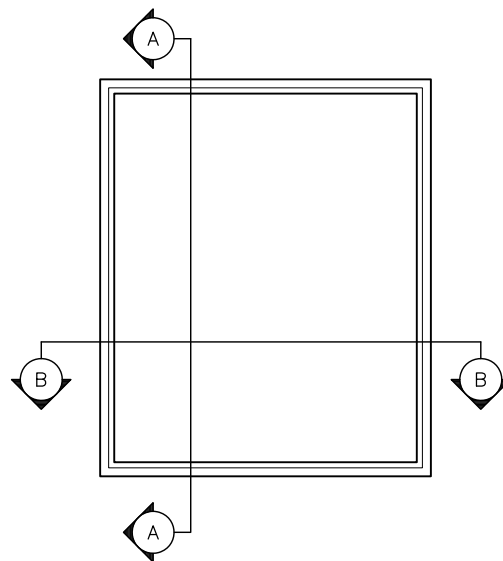
ALPINE

ULTIMATE PVC GLIDER WINDOWS

6700 SERIES
SECTION DETAILS
PICTURE



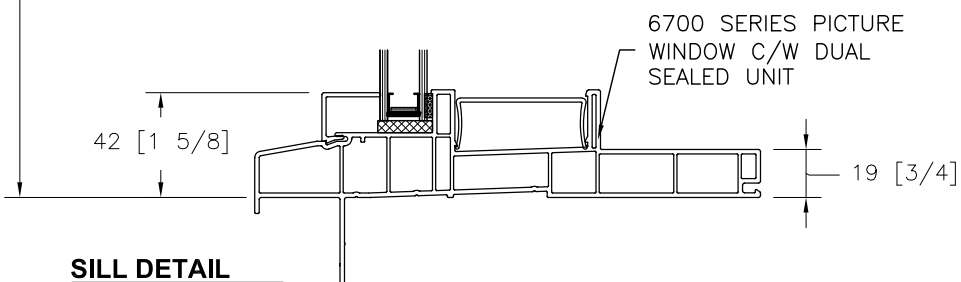
HEAD DETAIL
FRAME DIMENSIONS



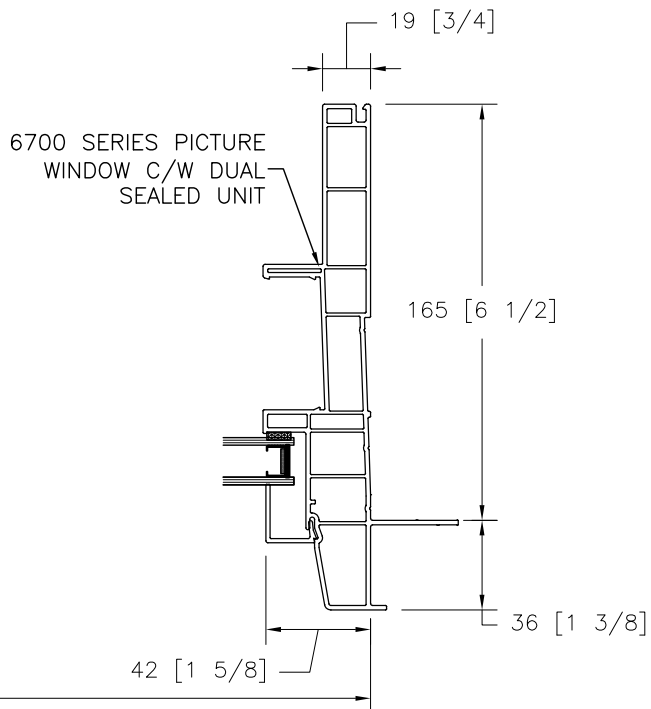
SAMPLE ELEVATION
EXTERIOR VIEW

OSM FRAME HEIGHT

SECTION A - A



SILL DETAIL
FRAME DIMENSIONS



SECTION B - B

JAMB DETAIL
FRAME DIMENSIONS

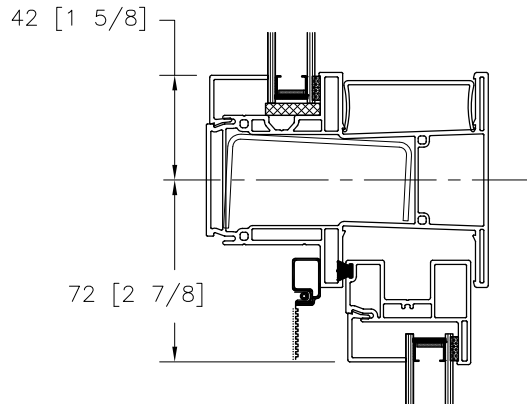
OSM FRAME WIDTH



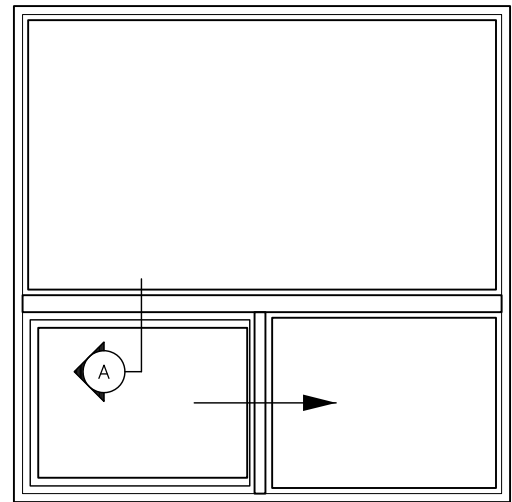
ALPINE

ULTIMATE PVC GLIDER WINDOWS

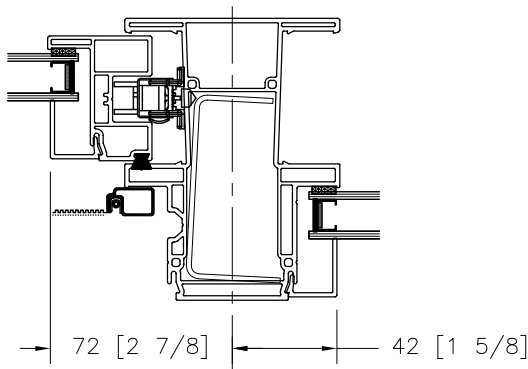
6700 SERIES
SECTION DETAILS
MULLIONS



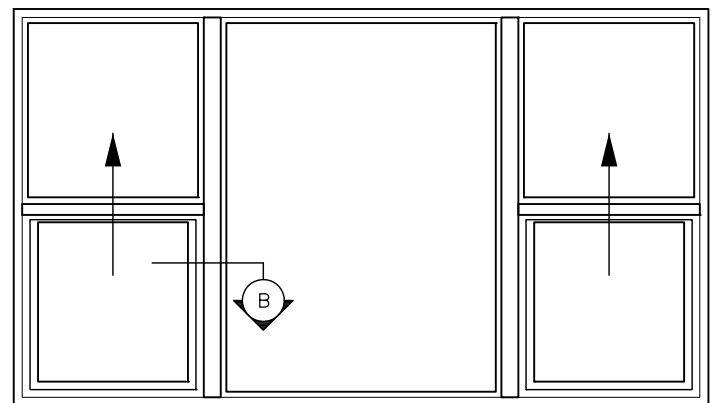
A. PICTURE / GLIDER
MULLION DETAIL C/W STEEL REINFORCING



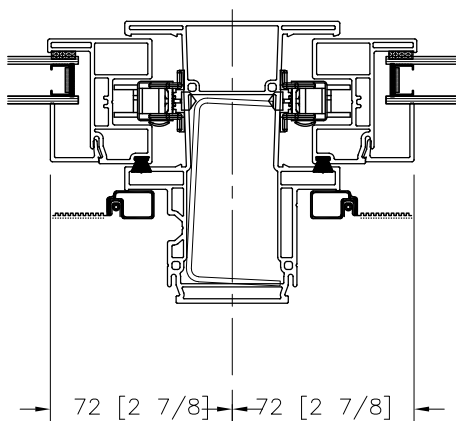
SAMPLE ELEVATION
EXTERIOR VIEW



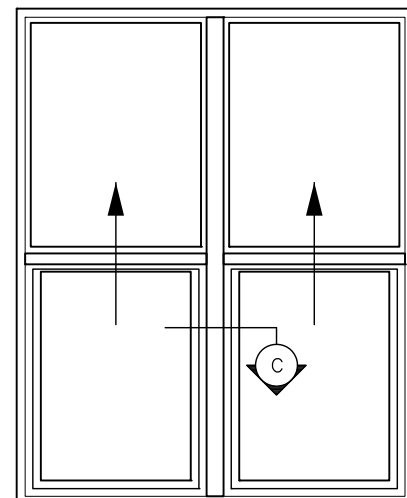
B. SINGLE HUNG - PICTURE
MULLION DETAIL



SAMPLE ELEVATION
EXTERIOR VIEW



C. SINGLE HUNG - SINGLE HUNG
MULLION DETAIL



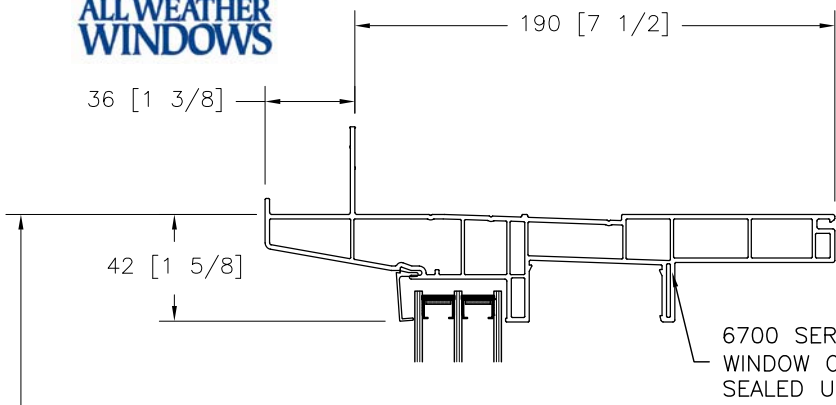
SAMPLE ELEVATION
EXTERIOR VIEW



ALPINE

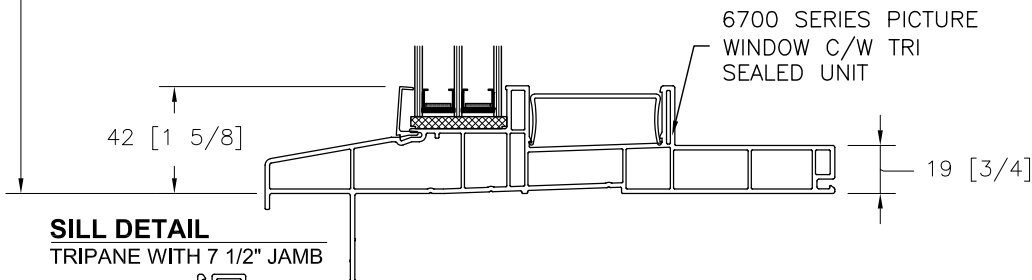
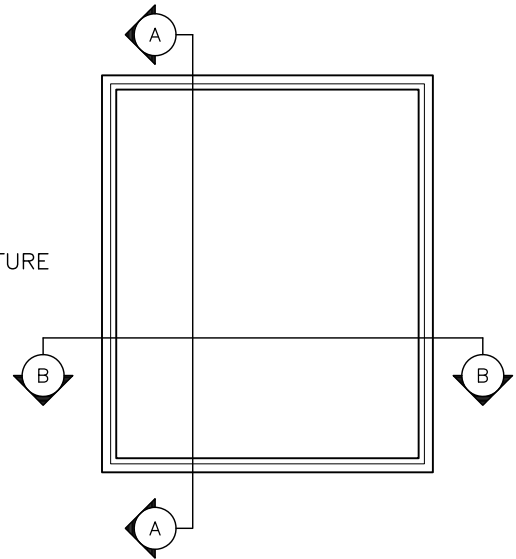
ULTIMATE PVC GLIDER WINDOWS

6700 SERIES
SECTION DETAILS
OPTION

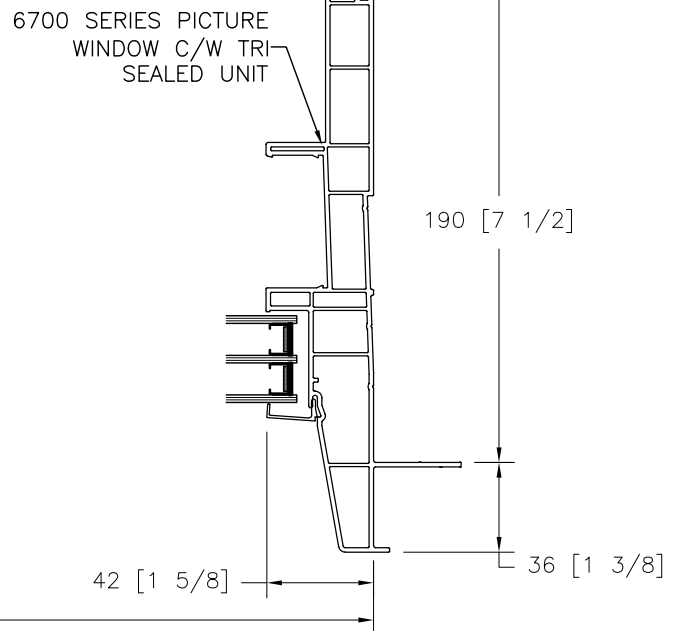


HEAD DETAIL
TRIPANE WITH 7 1/2" JAMB

SECTION A - A



SILL DETAIL
TRIPANE WITH 7 1/2" JAMB



JAMB DETAIL
TRIPANE WITH 7 1/2" JAMB

SECTION B - B

OSM FRAME WIDTH

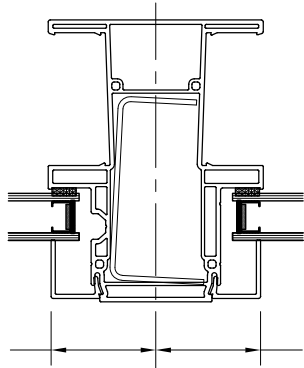


ALPINE

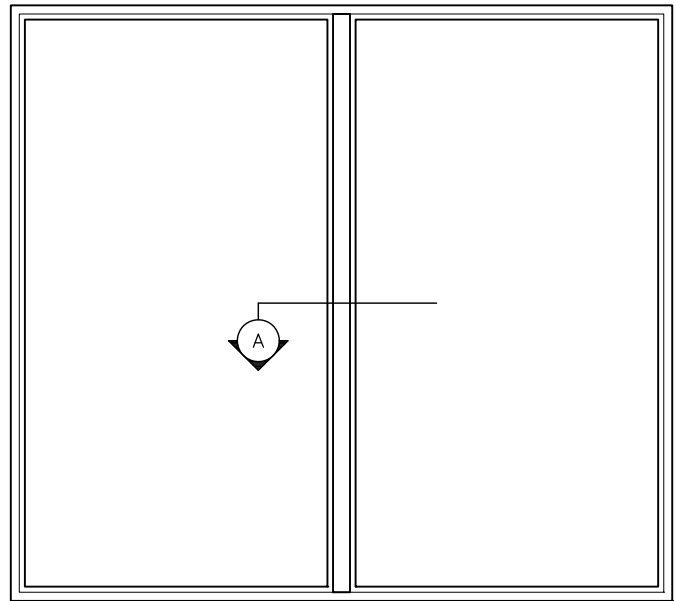
ULTIMATE PVC GLIDER WINDOWS

6700 SERIES

SECTION DETAILS
REINFORCING



A- PICTURE / PICTURE
STEEL REINFORCED MULLION



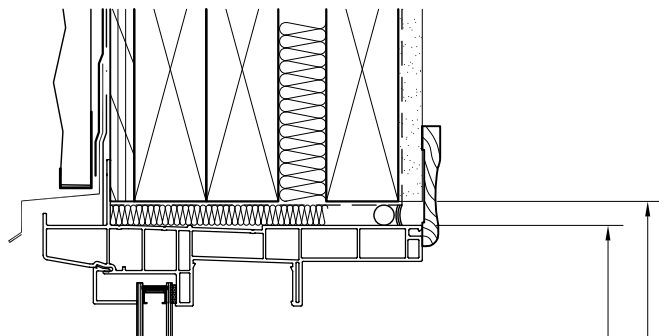
SAMPLE ELEVATION
EXTERIOR VIEW



ALPINE

ULTIMATE PVC GLIDER WINDOWS

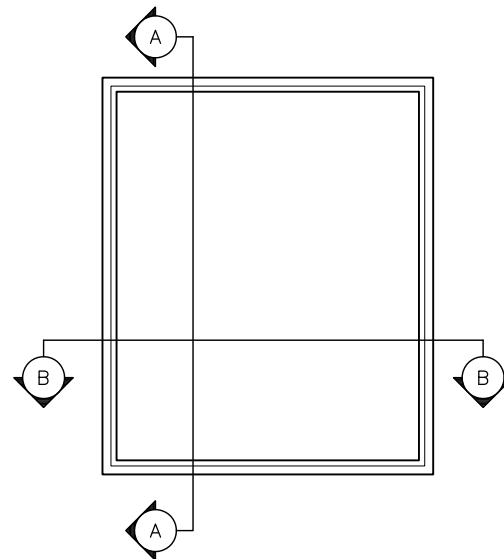
6700 SERIES
SECTION DETAILS
WALL DETAILS



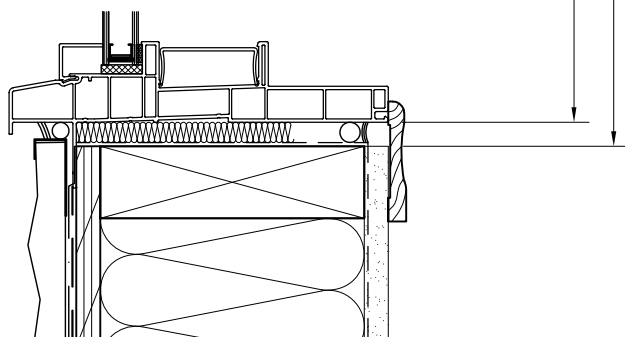
HEAD DETAIL
2x6 STUD WALL

SECTION A - A

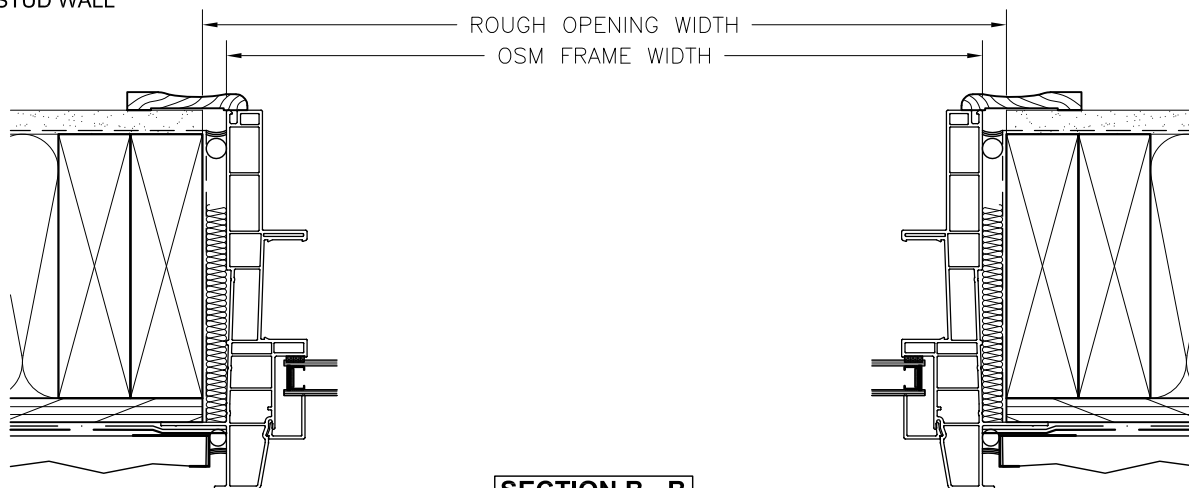
OSM FRAME HEIGHT
ROUGH OPENING HEIGHT



SAMPLE ELEVATION
EXTERIOR VIEW



SILL DETAIL
2x6 STUD WALL



SECTION B - B

JAMB DETAIL
2x6 STUD WALL