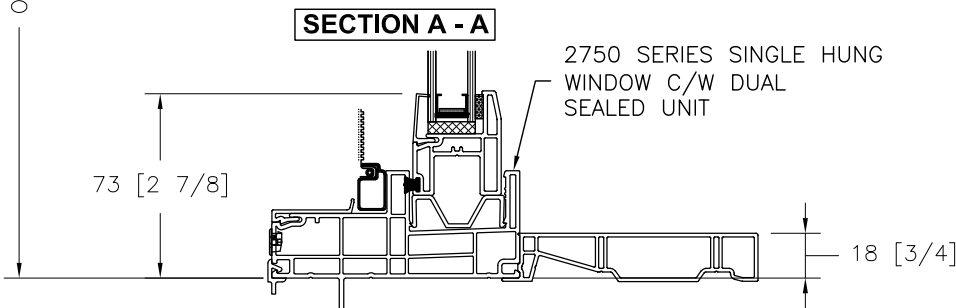
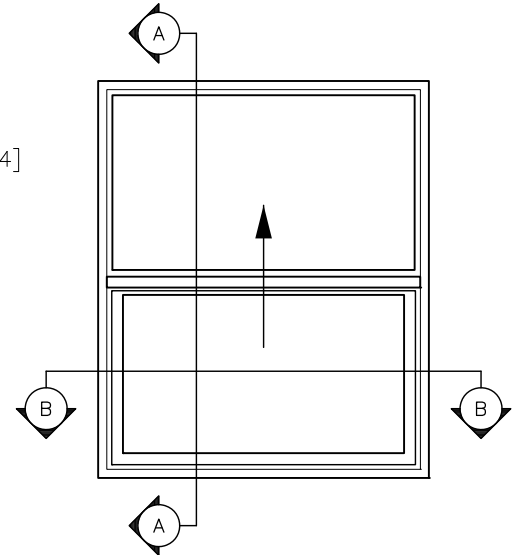
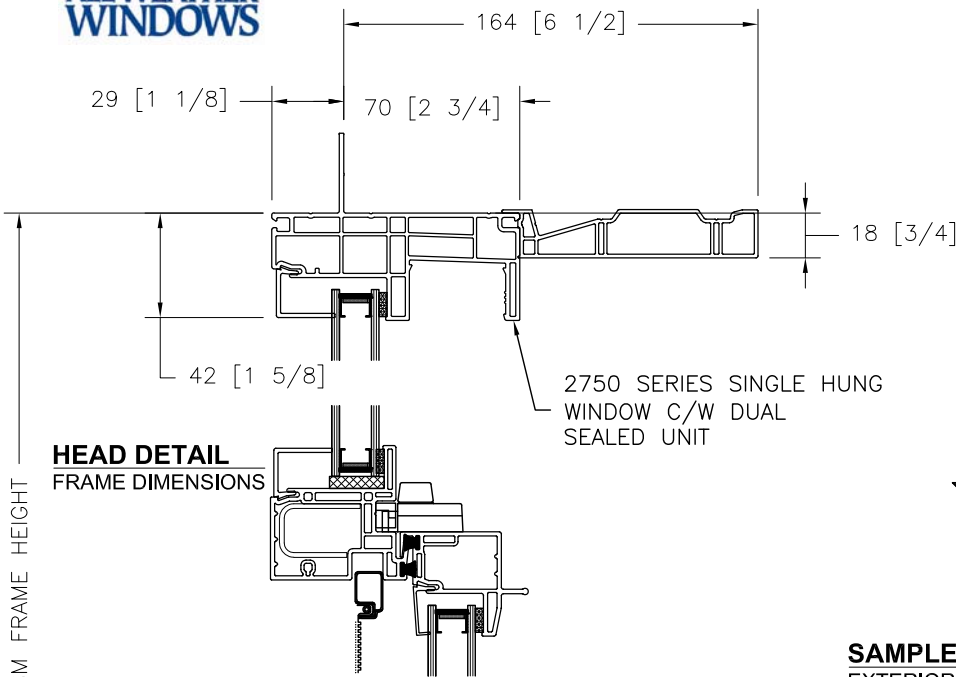


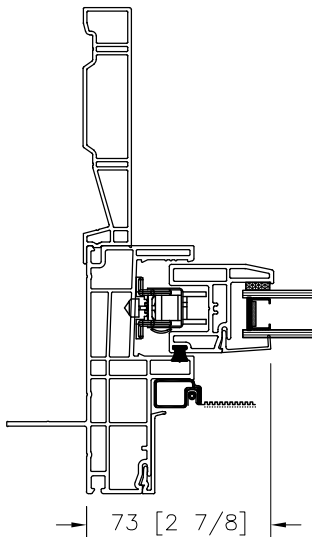


TERRA

2750 SERIES SECTION DETAILS SINGLE HUNG

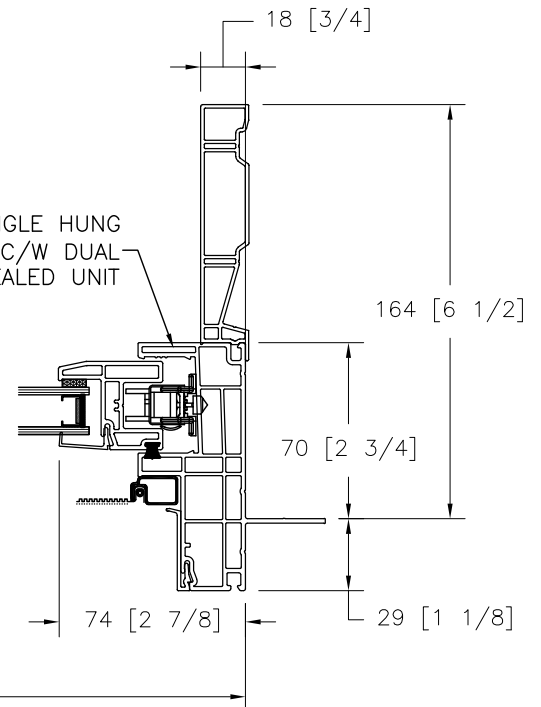


SILL DETAIL
FRAME DIMENSIONS



SECTION B - B

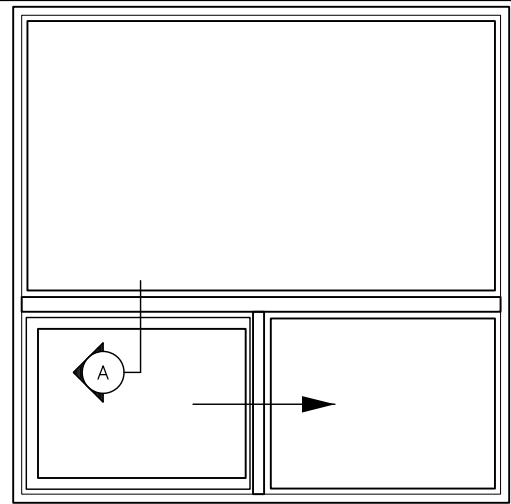
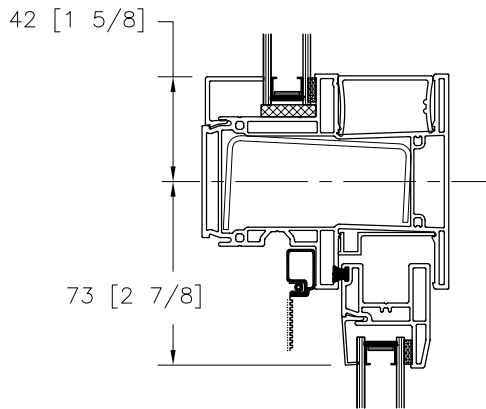
2750 SERIES SINGLE HUNG WINDOW C/W DUAL SEALED UNIT





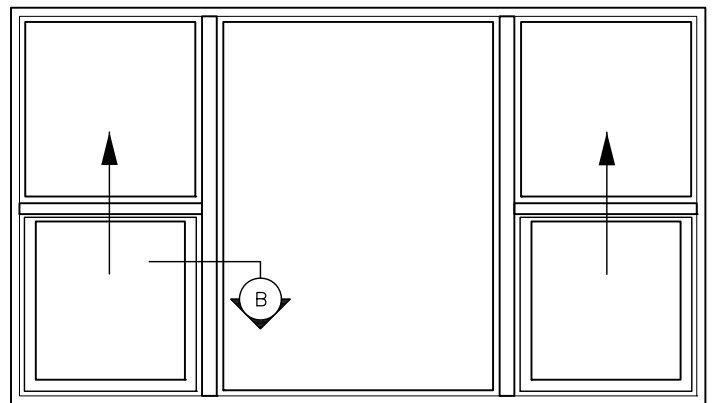
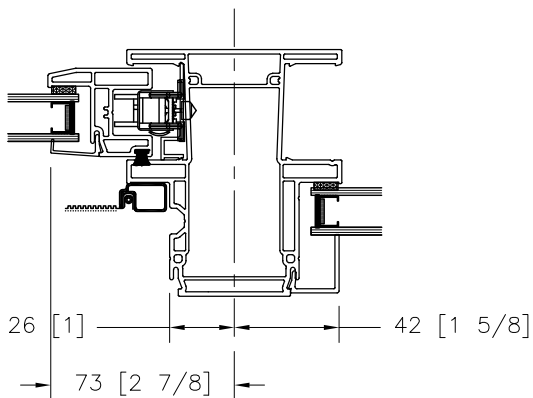
TERRA

2750 SERIES SECTION DETAILS MULLIONS



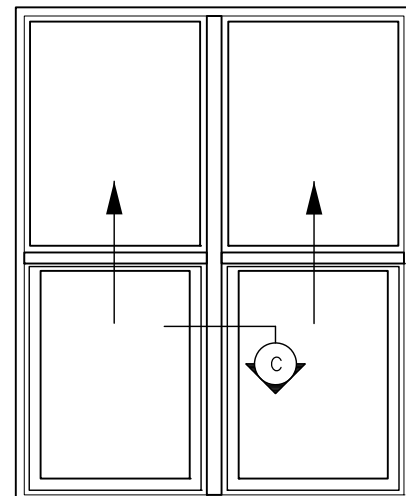
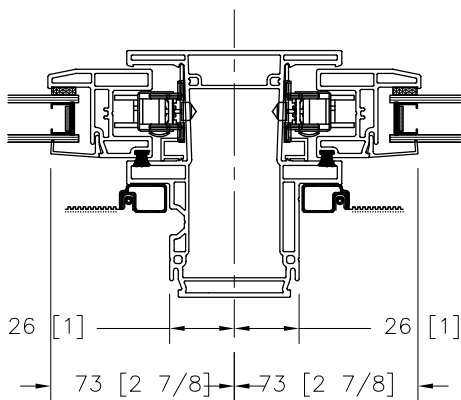
A. PICTURE / GLIDER
MULLION DETAIL C/W STEEL REINFORCING

SAMPLE ELEVATION
EXTERIOR VIEW



B. SINGLE HUNG - PICTURE
MULLION DETAIL

SAMPLE ELEVATION
EXTERIOR VIEW



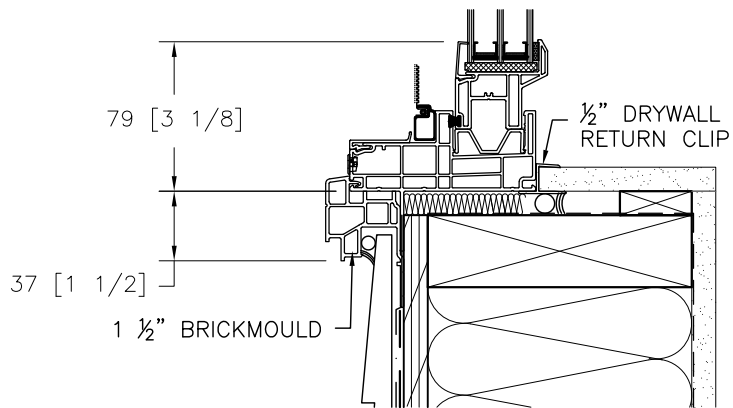
C. SINGLE HUNG - SINGLE HUNG
MULLION DETAIL

SAMPLE ELEVATION
EXTERIOR VIEW

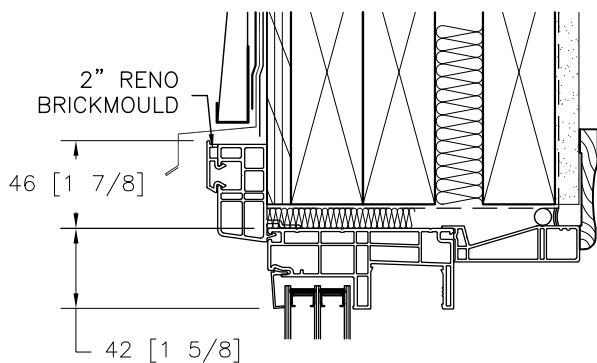
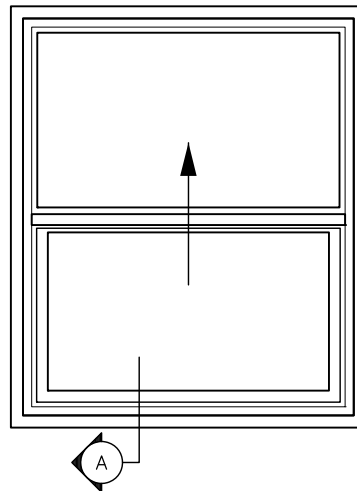


TERRA

2750 SERIES SECTION DETAILS OPTIONS

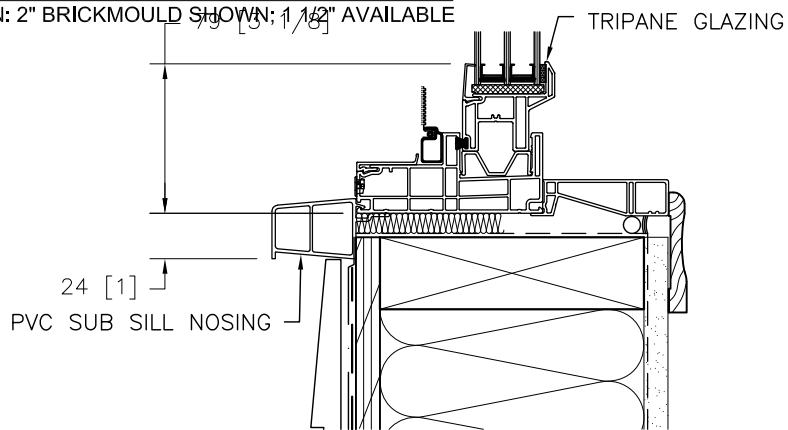
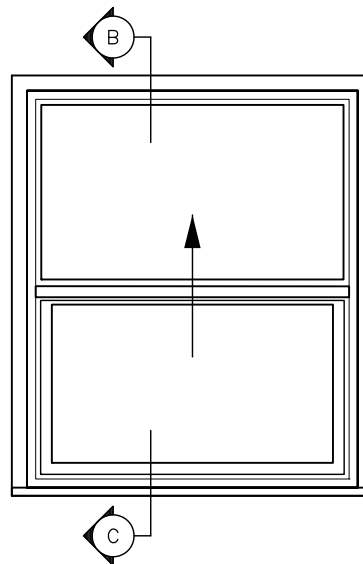


A - 1 1/2" BRICKMOULD AND 1/2" DRYWALL CLIP
OPTION: 1/2" DRYWALL CLIP SHOWN; 3/4" AVAILABLE.



B - 2" 'RENO' BRICKMOULD
OPTION: 2" BRICKMOULD SHOWN; 1 1/2" AVAILABLE

SAMPLE ELEVATION
EXTERIOR VIEW



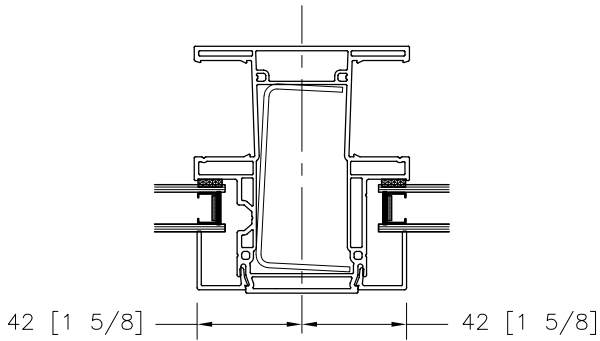
C - PVC SUBSILL NOSING
OPTION

SAMPLE ELEVATION
EXTERIOR VIEW

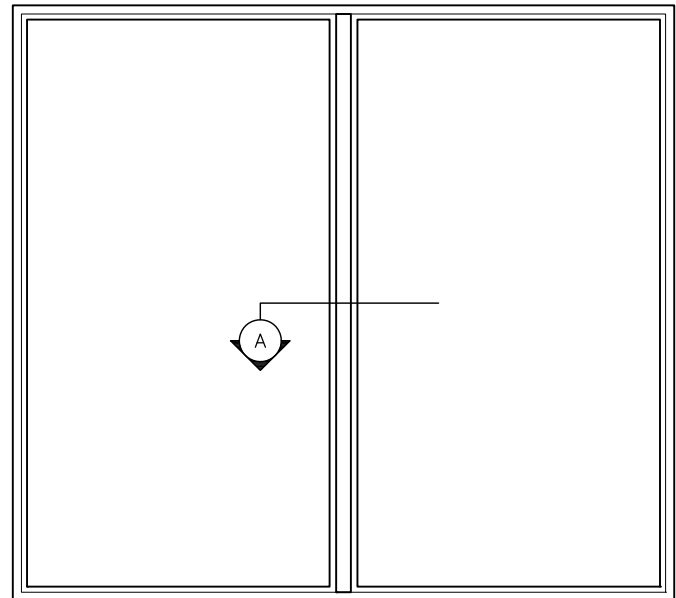


TERRA

2750 SERIES SECTION DETAILS REINFORCING



A. PICTURE - PICTURE
STEEL REINFORCED MULLION



SAMPLE ELEVATION
EXTERIOR VIEW



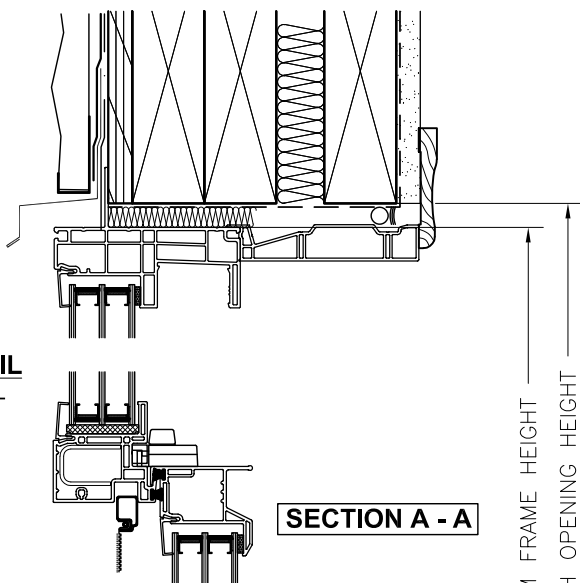
TERRA

2750 SERIES

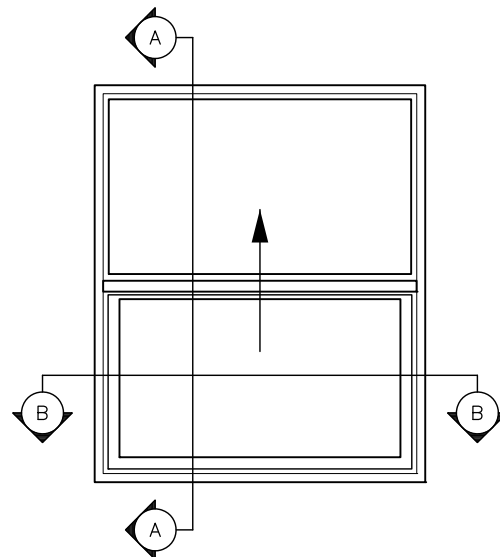
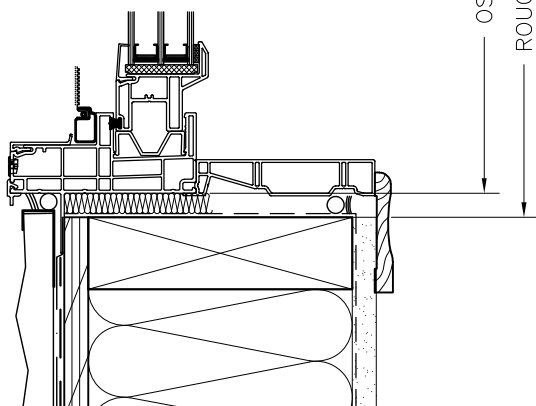
SECTION DETAILS

WALL DETAILS

HEAD DETAIL
2x6 STUD WALL

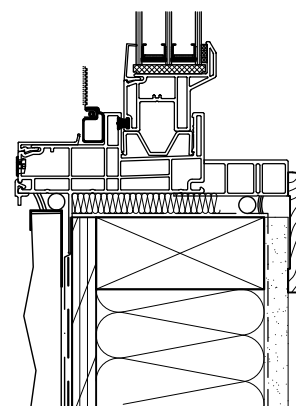


SILL DETAIL
2x6 STUD WALL



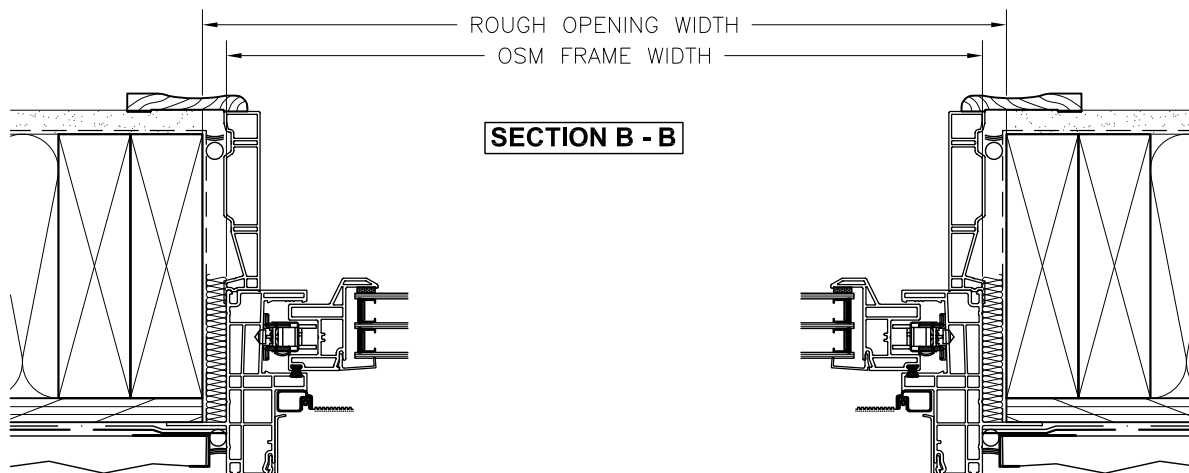
SAMPLE ELEVATION
EXTERIOR VIEW

SILL DETAIL
2x4 STUD WALL



ROUGH OPENING WIDTH
OSM FRAME WIDTH

SECTION B - B



JAMB DETAIL
2x6 STUD WALL