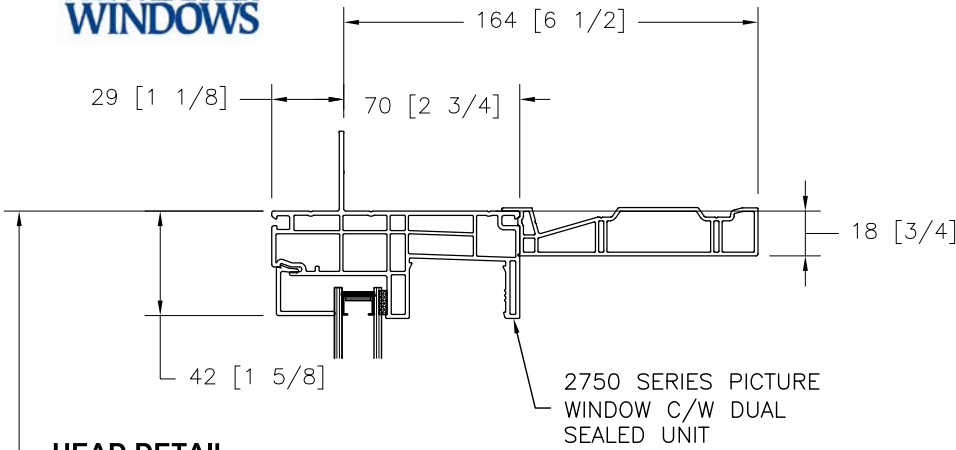




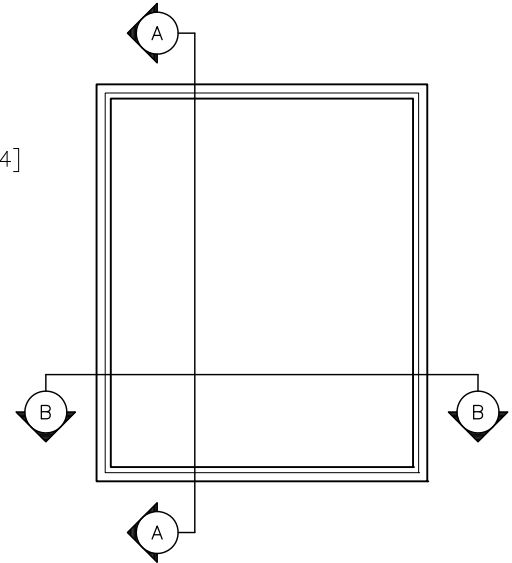
TERRA

2750 SERIES SECTION DETAILS PICTURE

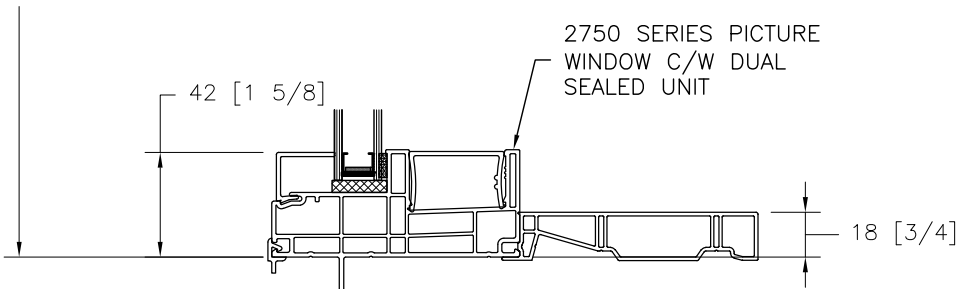


HEAD DETAIL
FRAME DIMENSIONS

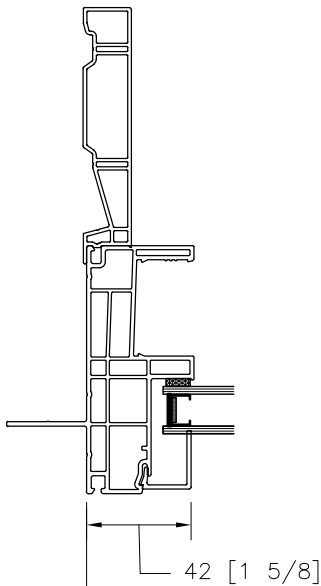
SECTION A - A



SAMPLE ELEVATION
EXTERIOR VIEW

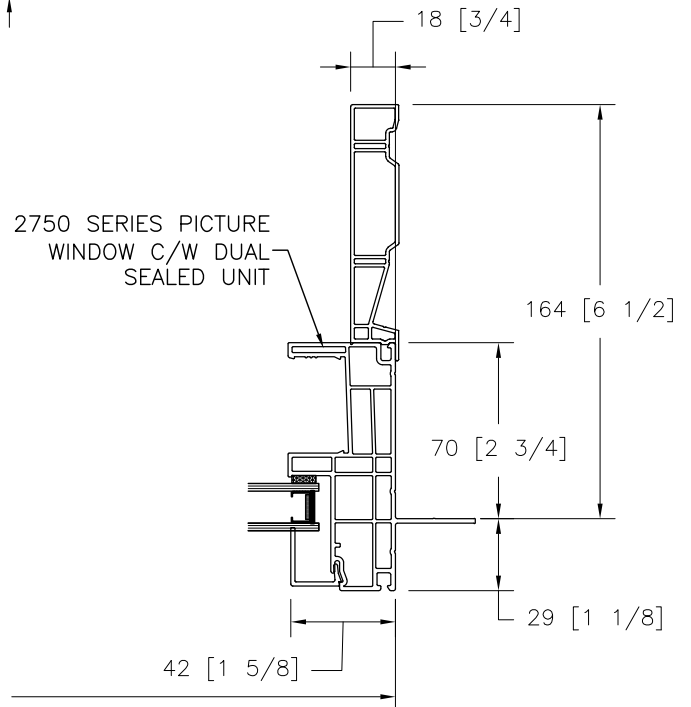


SILL DETAIL
FRAME DIMENSIONS



JAMB DETAIL
FRAME DIMENSIONS

SECTION B - B

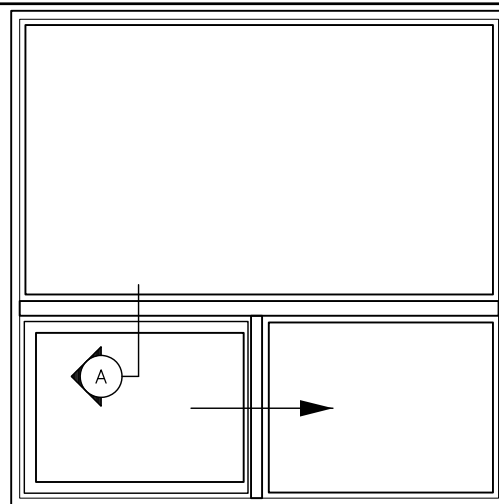
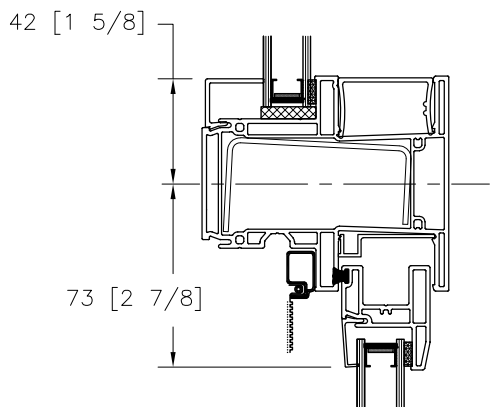


OSM FRAME WIDTH



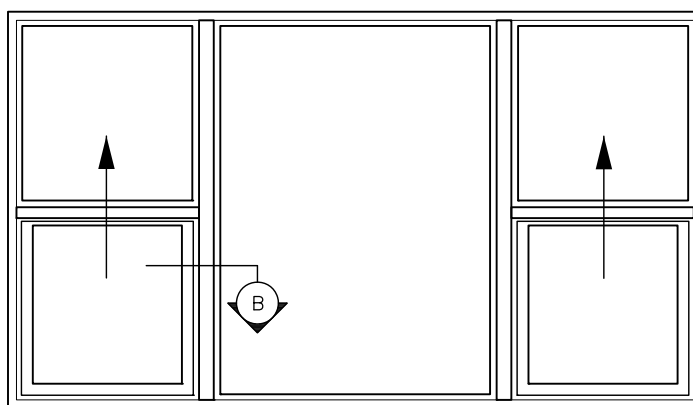
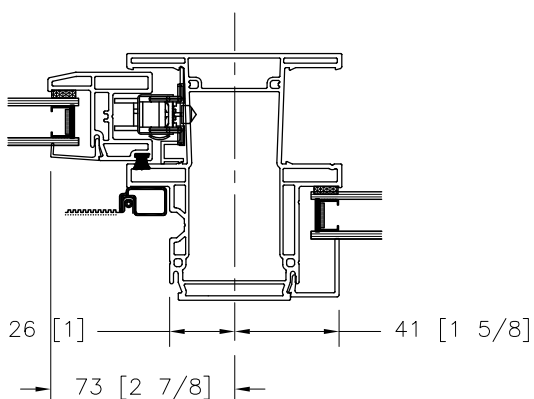
TERRA

2750 SERIES SECTION DETAILS MULLIONS



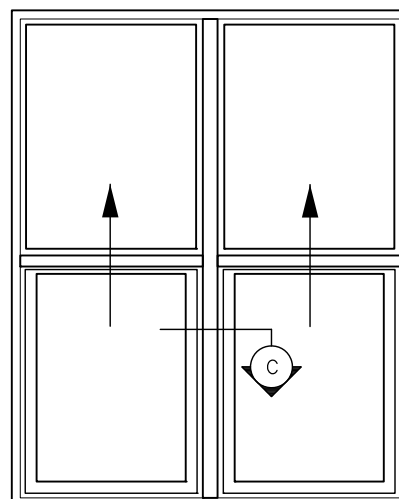
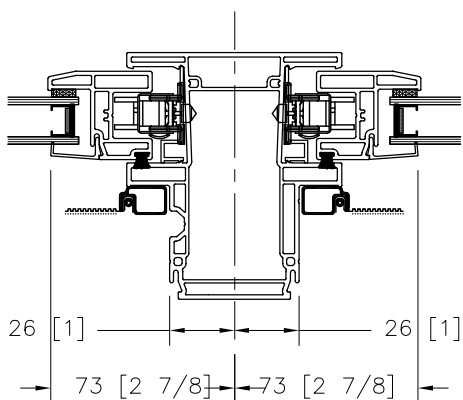
A. PICTURE / GLIDER
MULLION DETAIL C/W STEEL REINFORCING

SAMPLE ELEVATION
EXTERIOR VIEW



B. SINGLE HUNG - PICTURE
MULLION DETAIL

SAMPLE ELEVATION
EXTERIOR VIEW



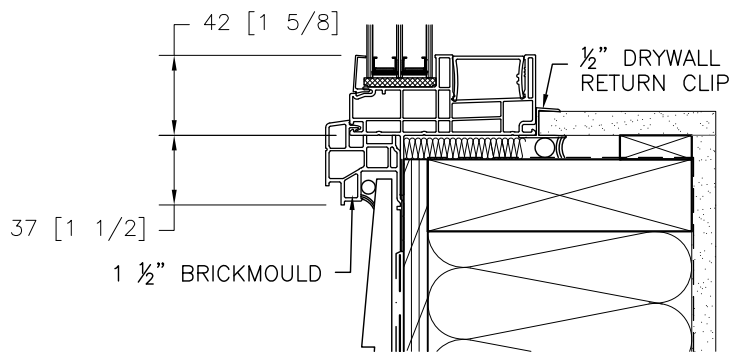
C. SINGLE HUNG - SINGLE HUNG
MULLION DETAIL

SAMPLE ELEVATION
EXTERIOR VIEW

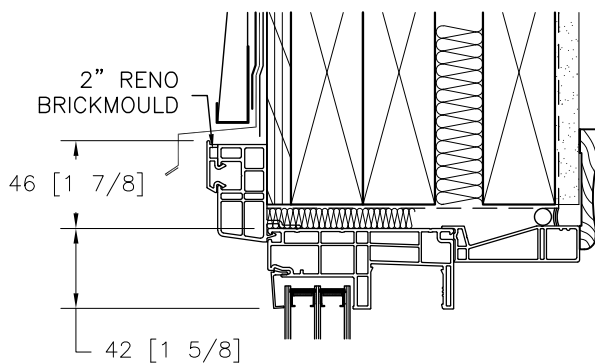
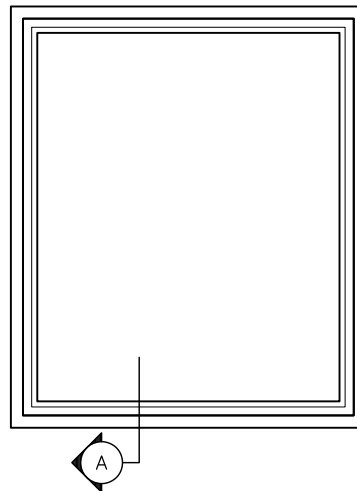


TERRA

2750 SERIES SECTION DETAILS OPTIONS

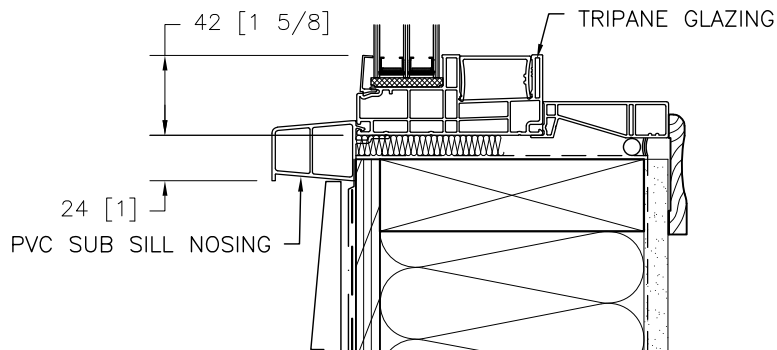
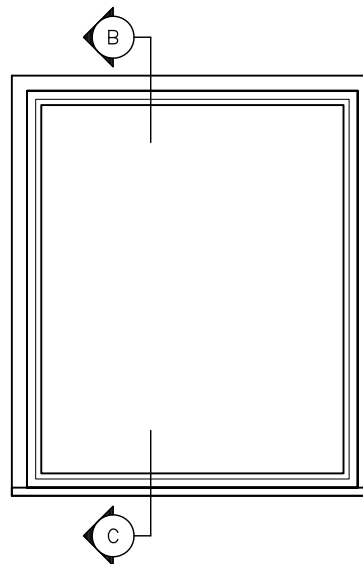


A - 1 1/2" BRICKMOULD AND 1/2" DRYWALL CLIP
OPTION: 1/2" DRYWALL CLIP SHOWN; 3/4" AVAILABLE.



B - 2" 'RENO' BRICKMOULD
OPTION: 2" BRICKMOULD SHOWN; 1 1/2" AVAILABLE

**SAMPLE ELEVATION
EXTERIOR VIEW**



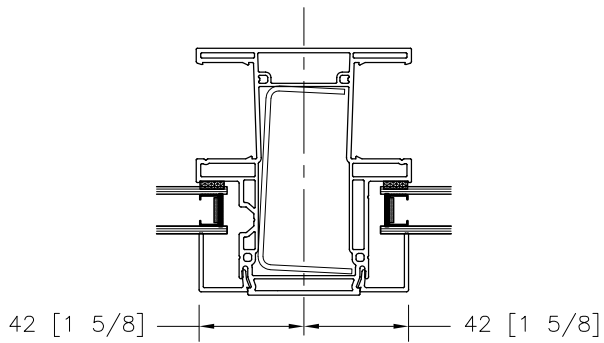
C - PVC SUBSILL NOSING
OPTION

**SAMPLE ELEVATION
EXTERIOR VIEW**

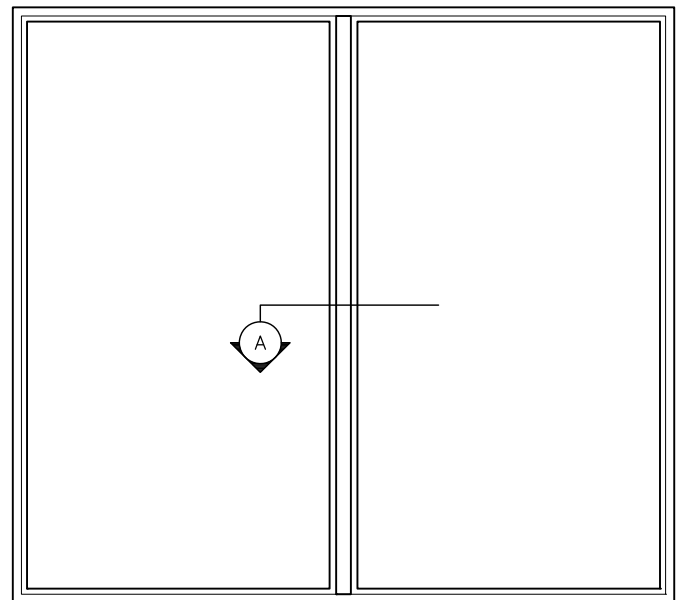


TERRA

2750 SERIES SECTION DETAILS REINFORCING



A. PICTURE - PICTURE
STEEL REINFORCED MULLION



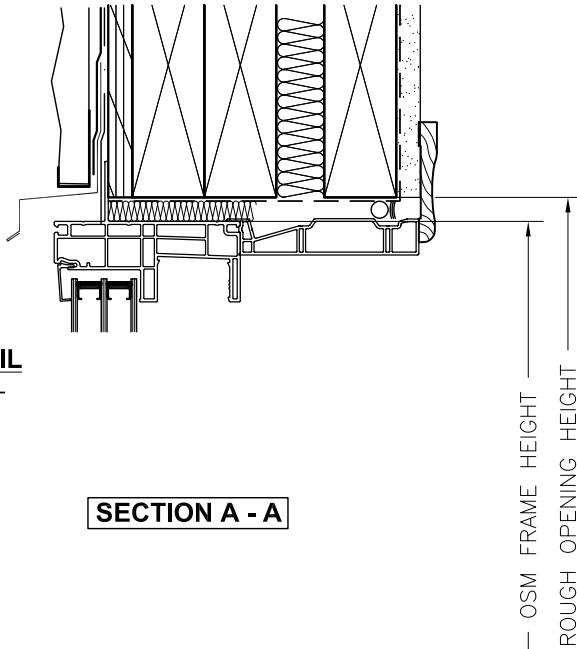
SAMPLE ELEVATION
EXTERIOR VIEW



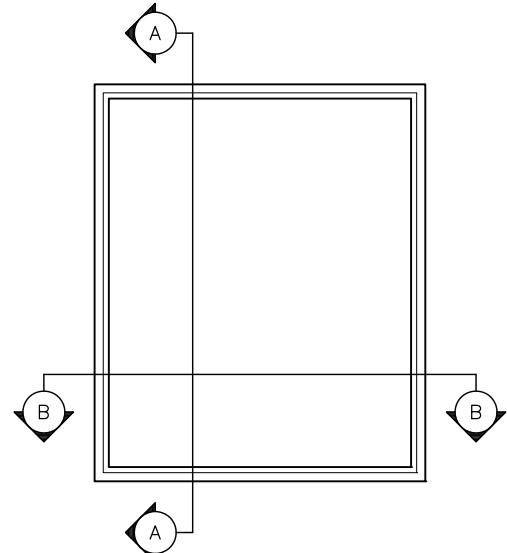
TERRA

2750 SERIES SECTION DETAILS WALL DETAILS

HEAD DETAIL
2x6 STUD WALL

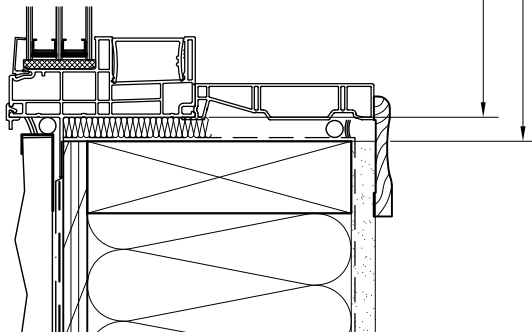


SECTION A - A

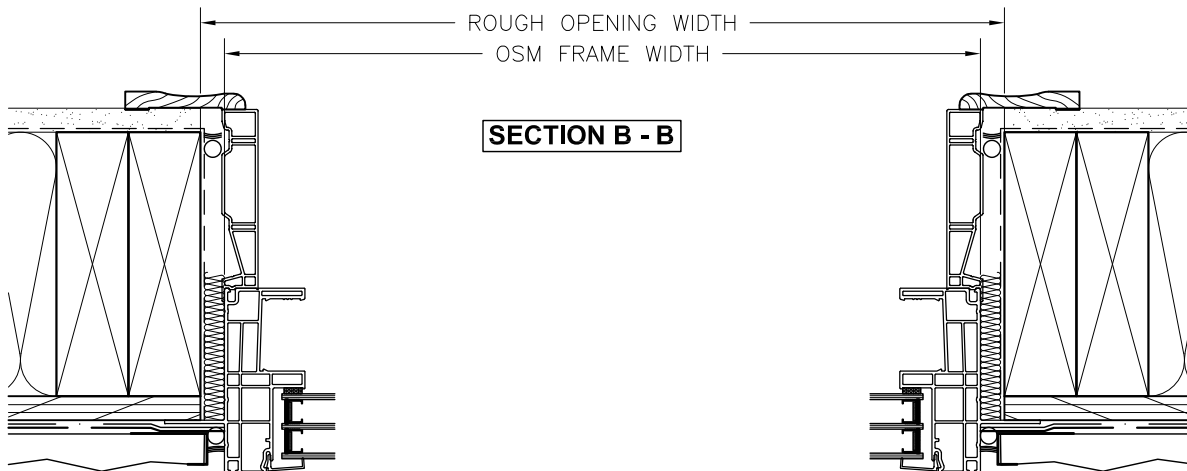
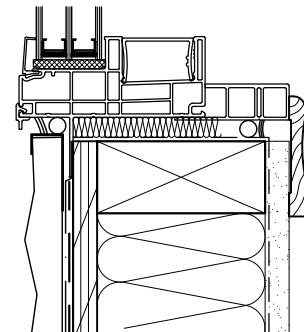


SAMPLE ELEVATION
EXTERIOR VIEW

SILL DETAIL
2x6 STUD WALL



SILL DETAIL
2x4 STUD WALL



SECTION B - B

JAMB DETAIL
2x6 STUD WALL