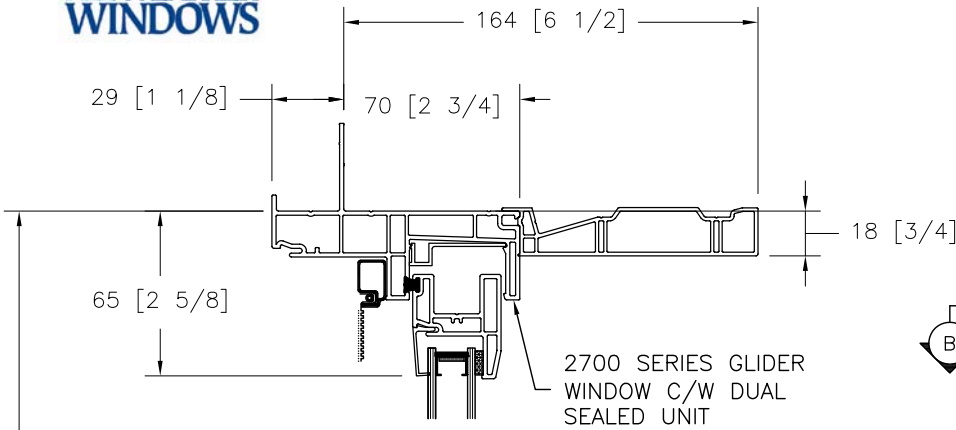




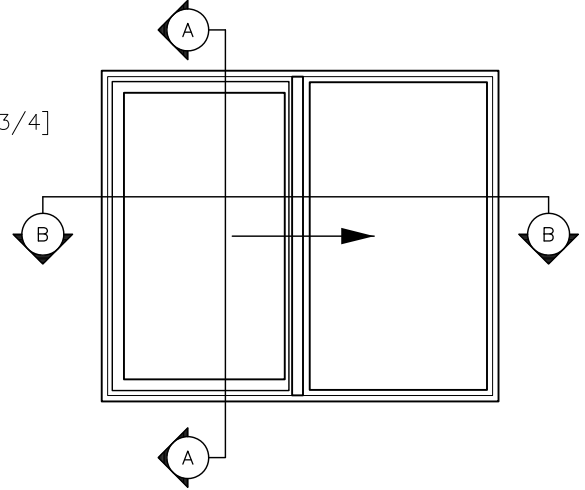
# TERRA

## 2700 SERIES SECTION DETAILS GLIDER

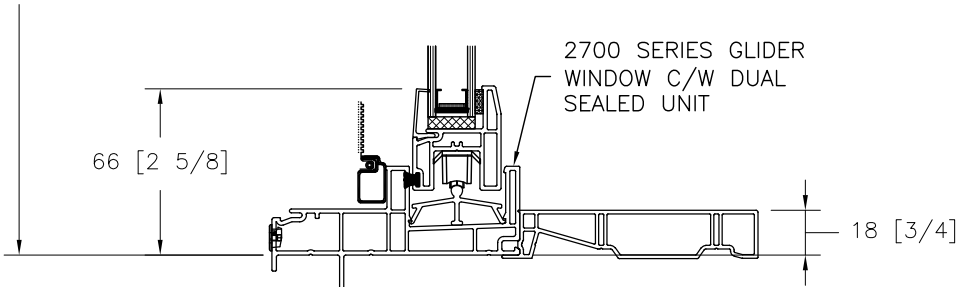


**HEAD DETAIL**  
FRAME DIMENSIONS

**SECTION A - A**

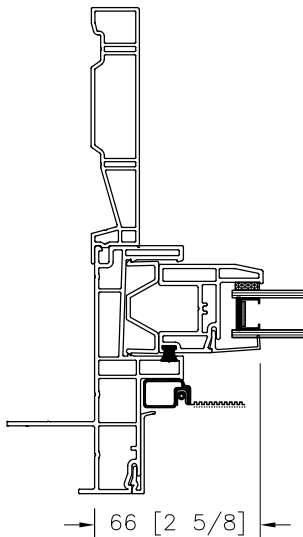


OSM FRAME HEIGHT

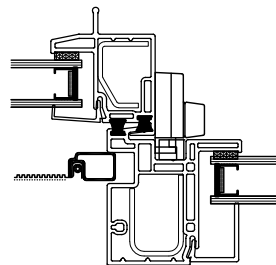


**SILL DETAIL**  
FRAME DIMENSIONS

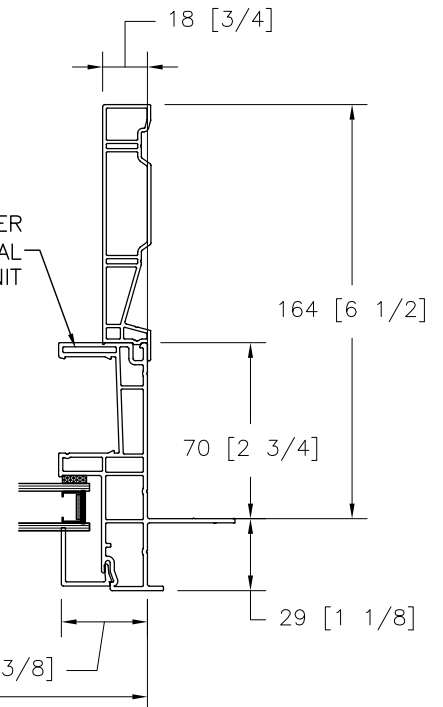
**SAMPLE ELEVATION**  
EXTERIOR VIEW



**SECTION B - B**



2700 SERIES GLIDER WINDOW C/W DUAL SEALED UNIT



**JAMB DETAIL**  
FRAME DIMENSIONS

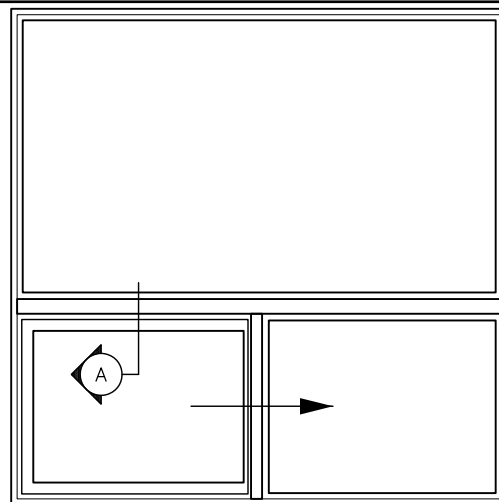
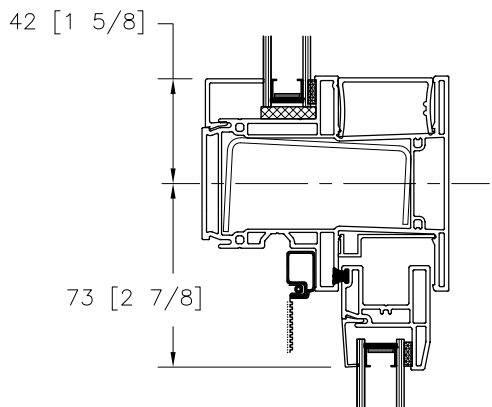
OSM FRAME WIDTH

34 [1 3/8]



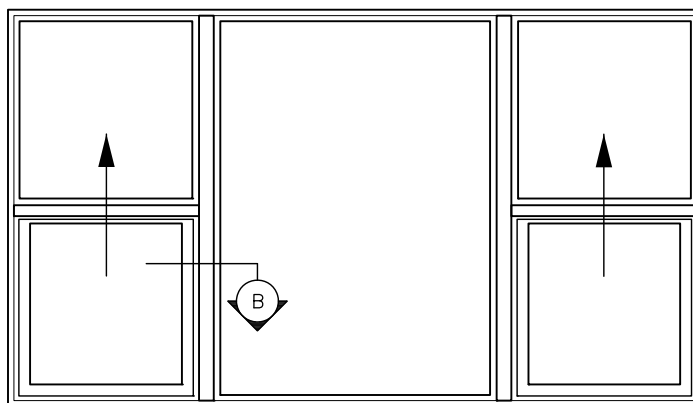
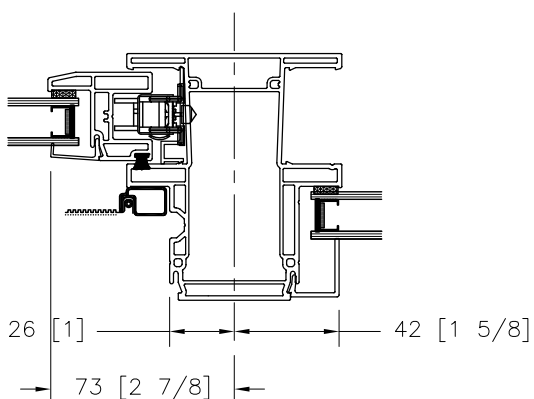
# TERRA

## 2700 SERIES SECTION DETAILS MULLIONS



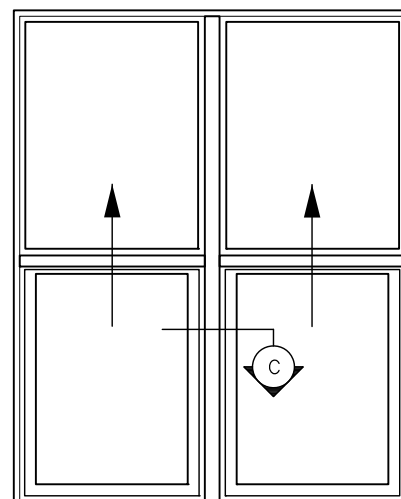
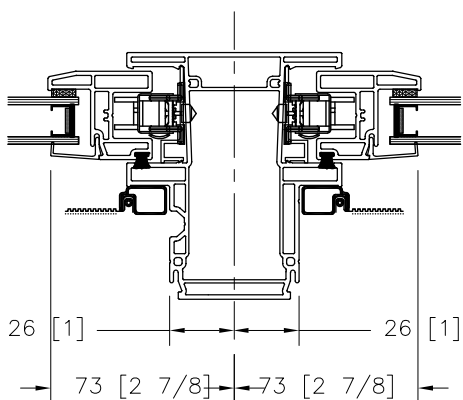
**A. PICTURE / GLIDER**  
MULLION DETAIL C/W STEEL REINFORCING

**SAMPLE ELEVATION**  
EXTERIOR VIEW



**B. SINGLE HUNG - PICTURE**  
MULLION DETAIL

**SAMPLE ELEVATION**  
EXTERIOR VIEW



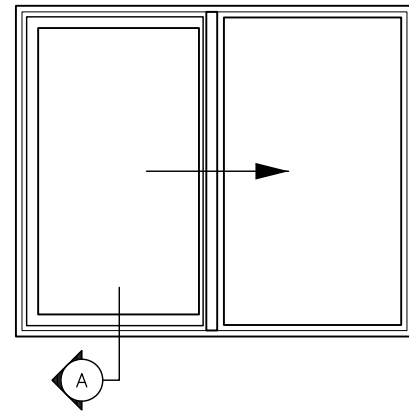
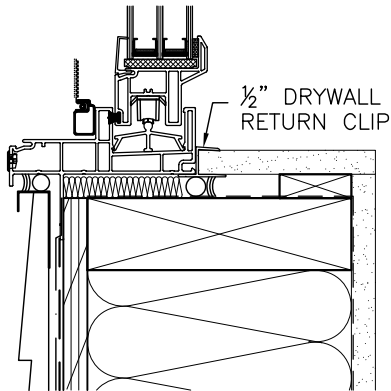
**C. SINGLE HUNG - SINGLE HUNG**  
MULLION DETAIL

**SAMPLE ELEVATION**  
EXTERIOR VIEW



# TERRA

## 2700 SERIES SECTION DETAILS OPTIONS



### **A - 1/2" DRYWALL CLIP**

OPTION: 1/2" DRYWALL CLIP SHOWN; 3/4" AVAILABLE.

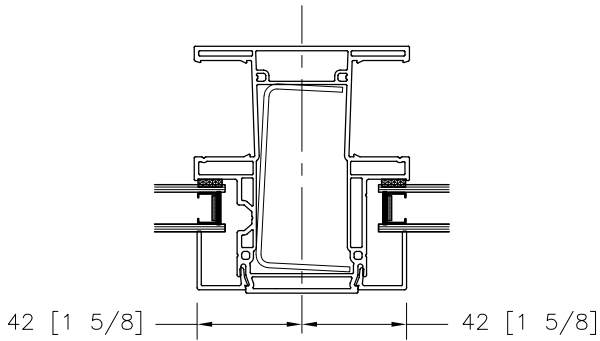
### **SAMPLE ELEVATION**

EXTERIOR VIEW

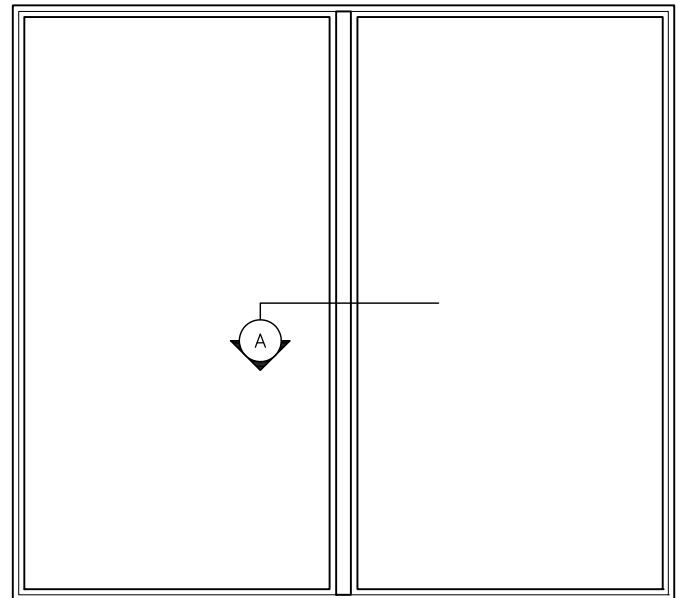


# TERRA

## 2700 SERIES SECTION DETAILS REINFORCING



**A. PICTURE - PICTURE**  
STEEL REINFORCED MULLION



**SAMPLE ELEVATION**  
EXTERIOR VIEW

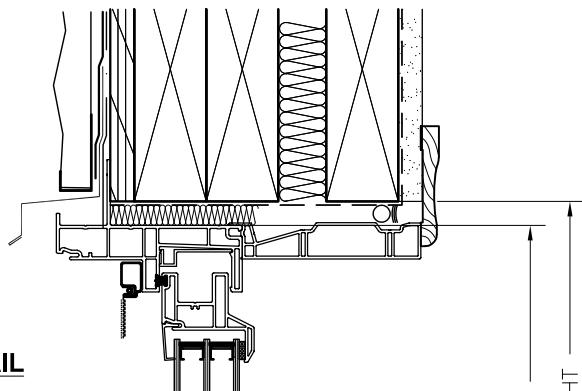


# TERRA

## 2700 SERIES

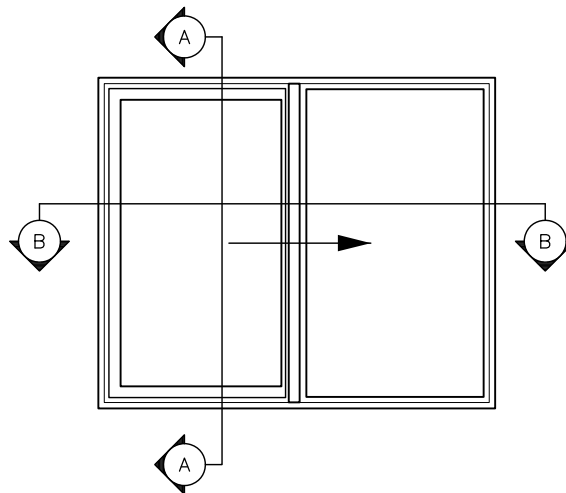
SECTION DETAILS

WALL DETAILS

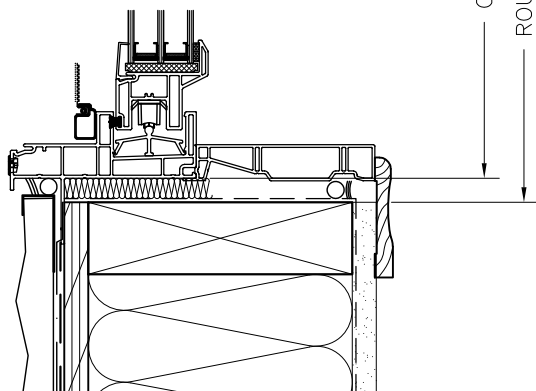


**HEAD DETAIL**  
2x6 STUD WALL

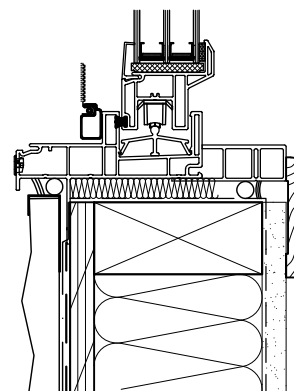
**SECTION A - A**



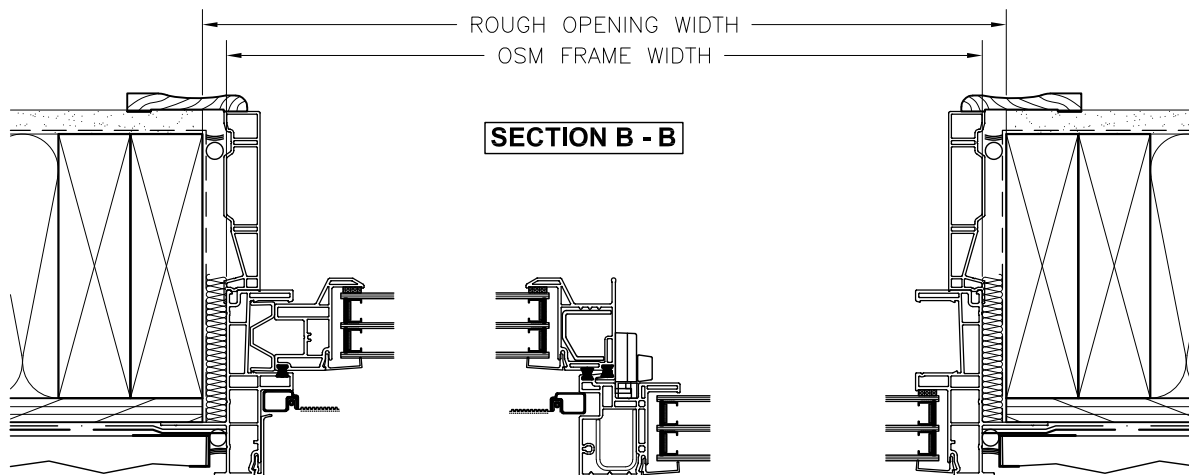
**SAMPLE ELEVATION**  
EXTERIOR VIEW



**SILL DETAIL**  
2x6 STUD WALL



**SILL DETAIL**  
2x4 STUD WALL



**SECTION B - B**

**JAMB DETAIL**  
2x6 STUD WALL