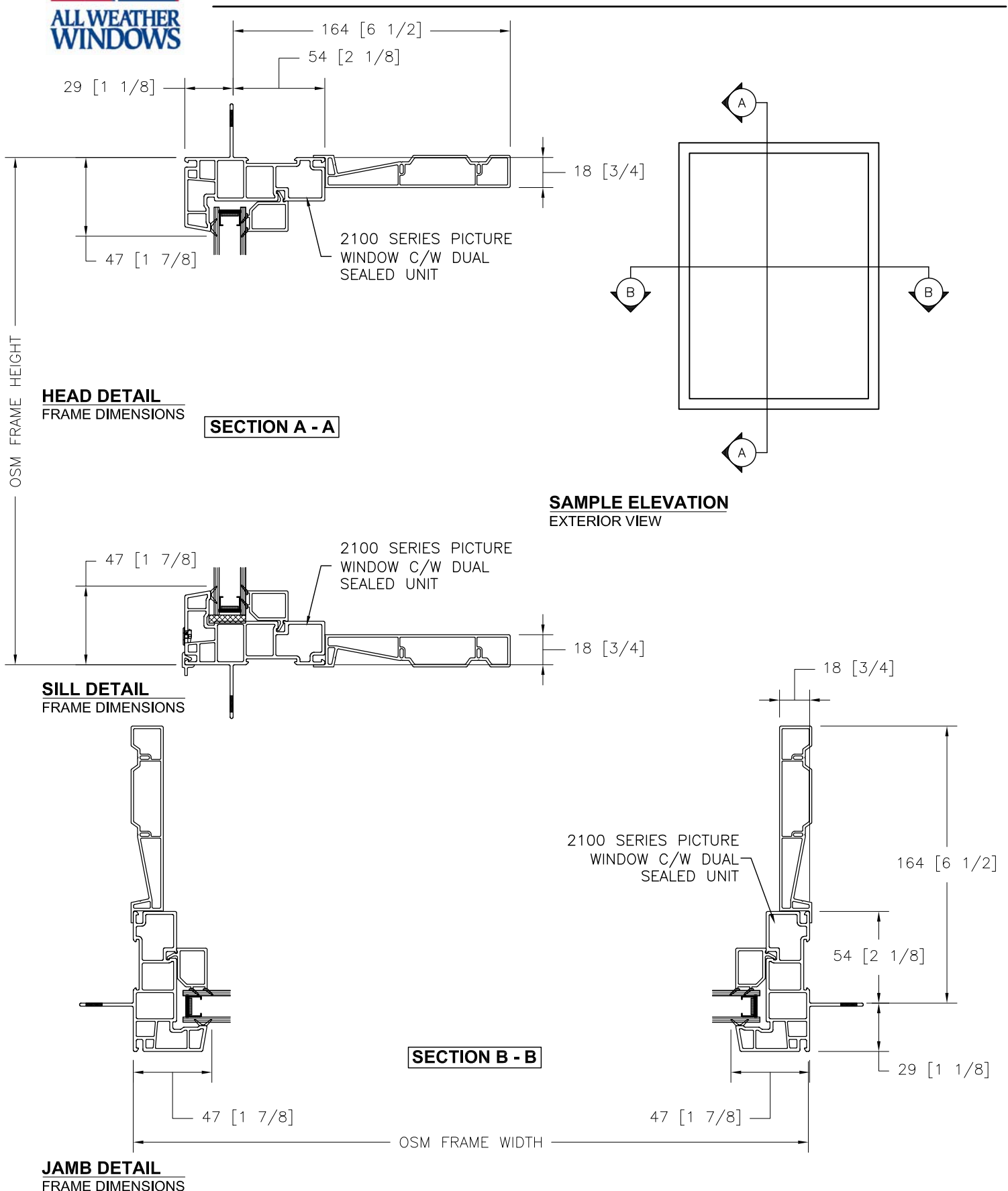




ASCENT

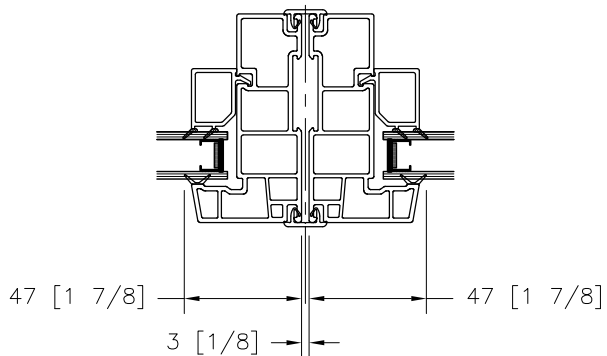
6100 SERIES SECTION DETAILS PICTURE



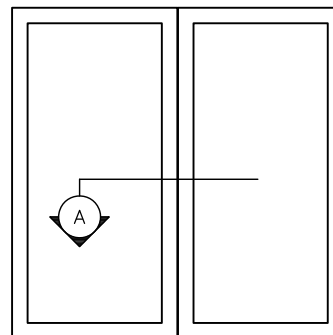


ASCENT

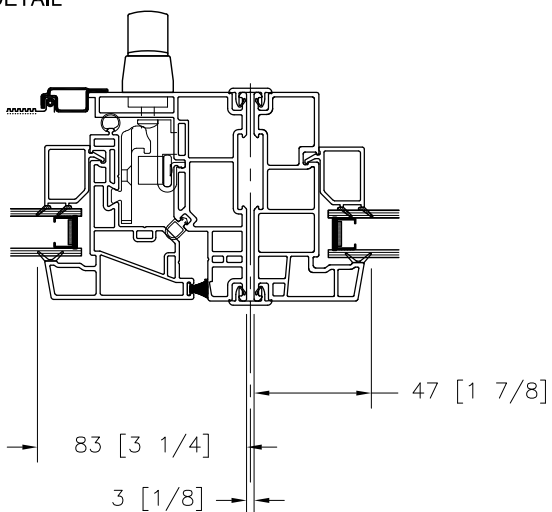
6100 SERIES SECTION DETAILS MULLIONS



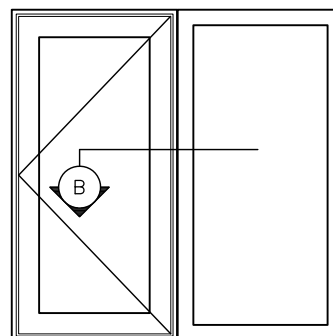
A. PICTURE - PICTURE
MULLION DETAIL



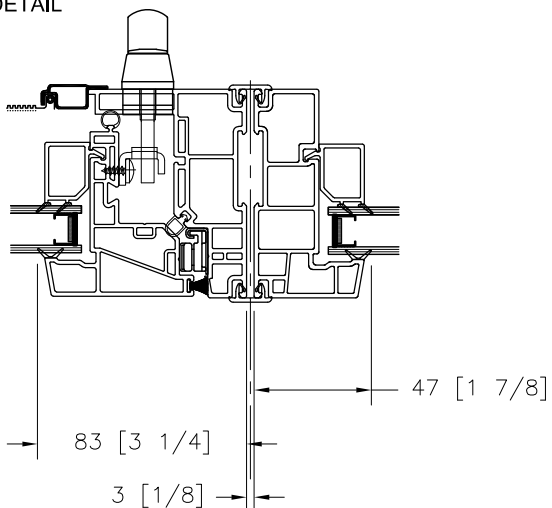
SAMPLE ELEVATION
EXTERIOR VIEW



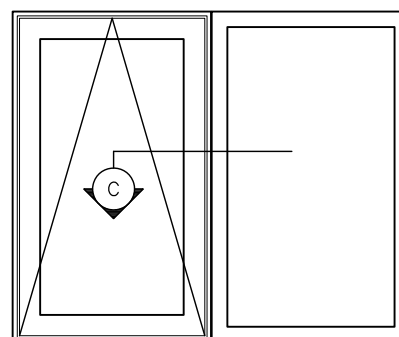
B. CASEMENT - PICTURE
MULLION DETAIL



SAMPLE ELEVATION
EXTERIOR VIEW



C. AWNING - PICTURE
MULLION DETAIL

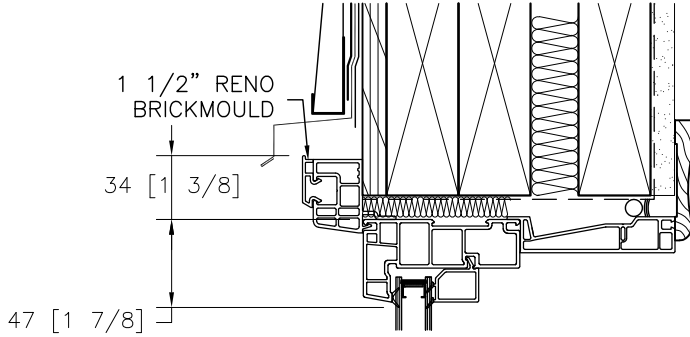


SAMPLE ELEVATION
EXTERIOR VIEW

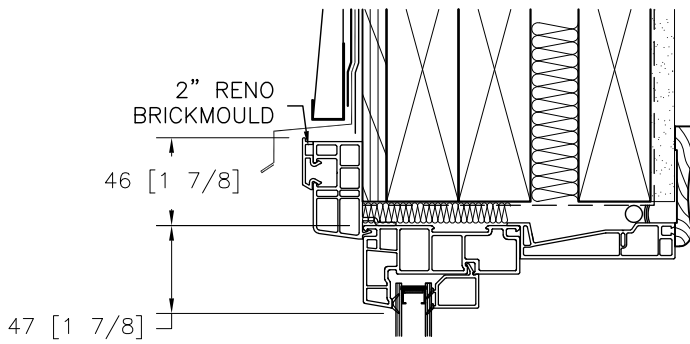
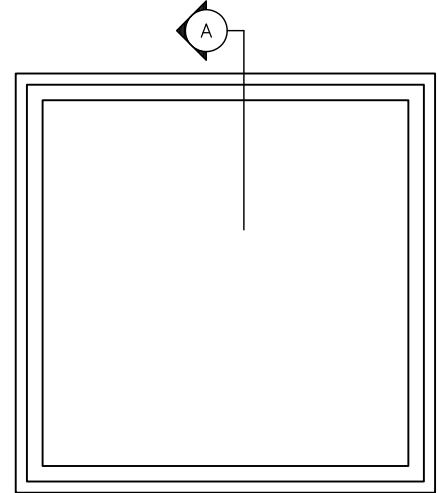


ASCENT

6100 SERIES SECTION DETAILS OPTIONS

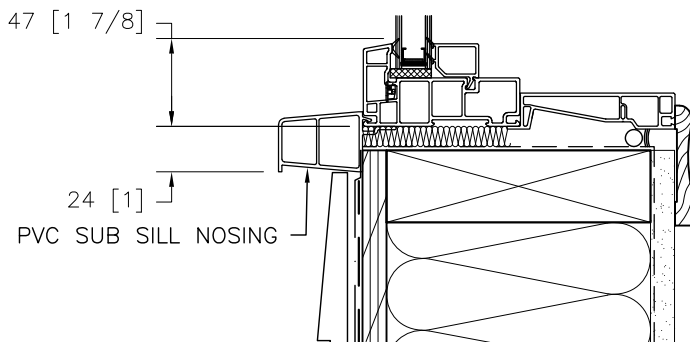
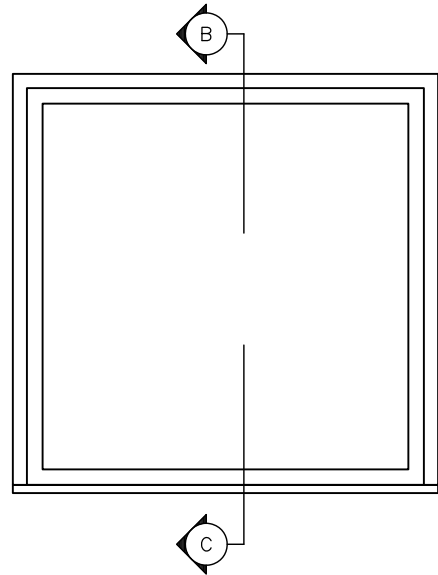


A - 1 1/2" 'RENO' BRICKMOULD
OPTION



B - 2" 'RENO' BRICKMOULD
OPTION

SAMPLE ELEVATION
EXTERIOR VIEW



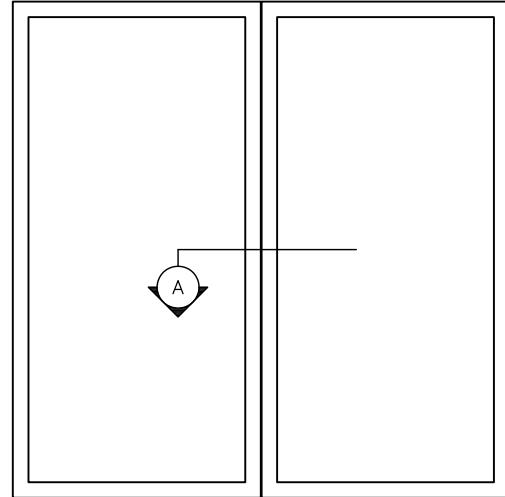
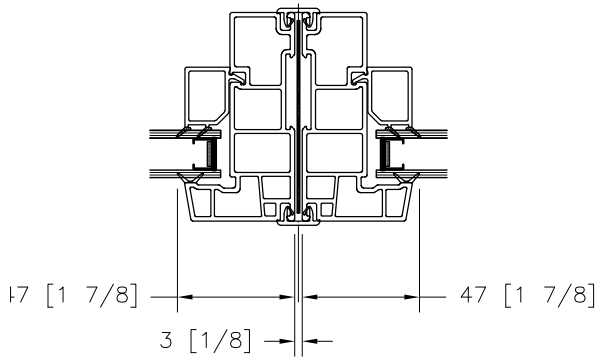
C - PVC SUBSILL NOSING
OPTION

SAMPLE ELEVATION
EXTERIOR VIEW



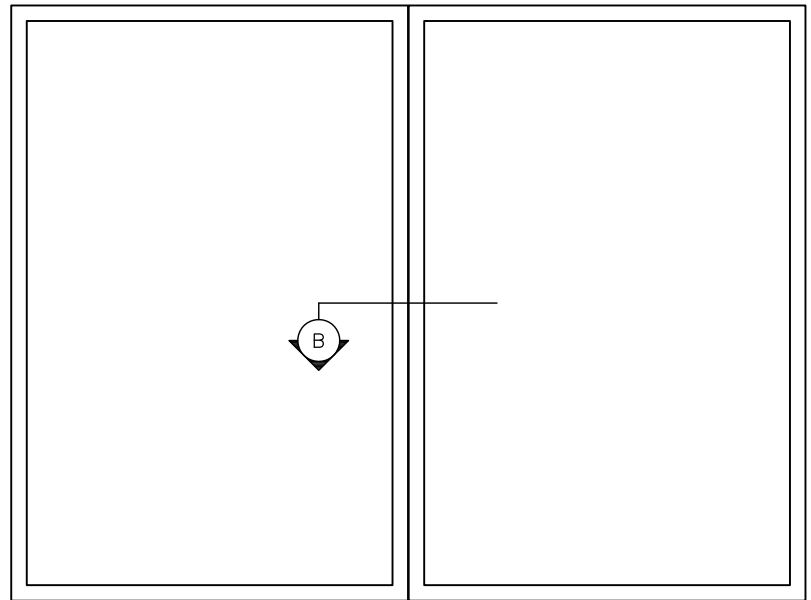
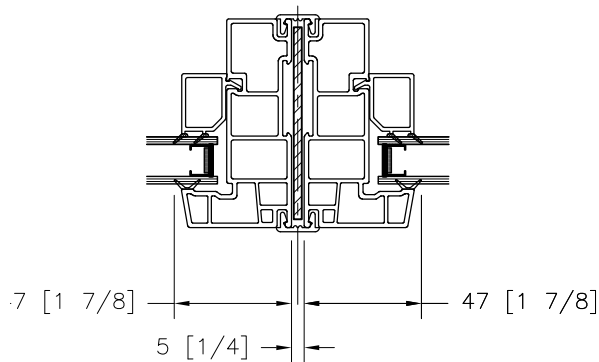
ASCENT

6100 SERIES SECTION DETAILS REINFORCING



A. PICTURE - PICTURE
1/32" STEEL REINFORCED MULLION

SAMPLE ELEVATION
EXTERIOR VIEW



B. PICTURE - PICTURE
1/8" STEEL REINFORCED MULLION

SAMPLE ELEVATION
EXTERIOR VIEW

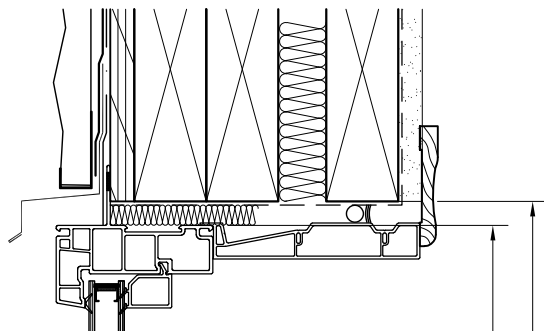


ASCENT

6100 SERIES

SECTION DETAILS

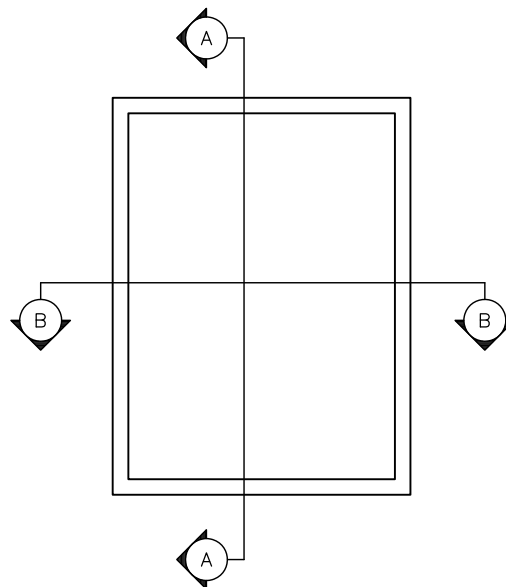
WALL DETAILS



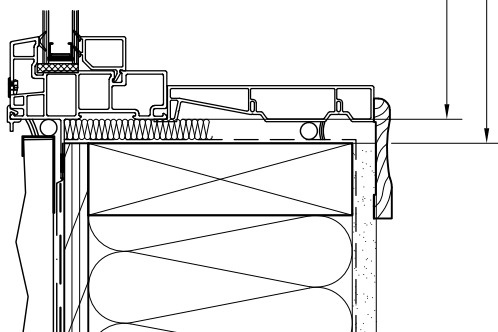
HEAD DETAIL
2x6 STUD WALL

SECTION A - A

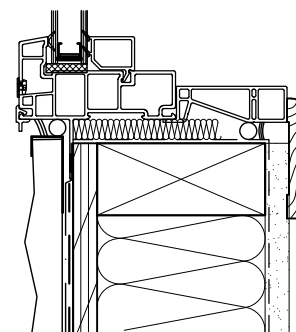
OSM FRAME HEIGHT
ROUGH OPENING HEIGHT



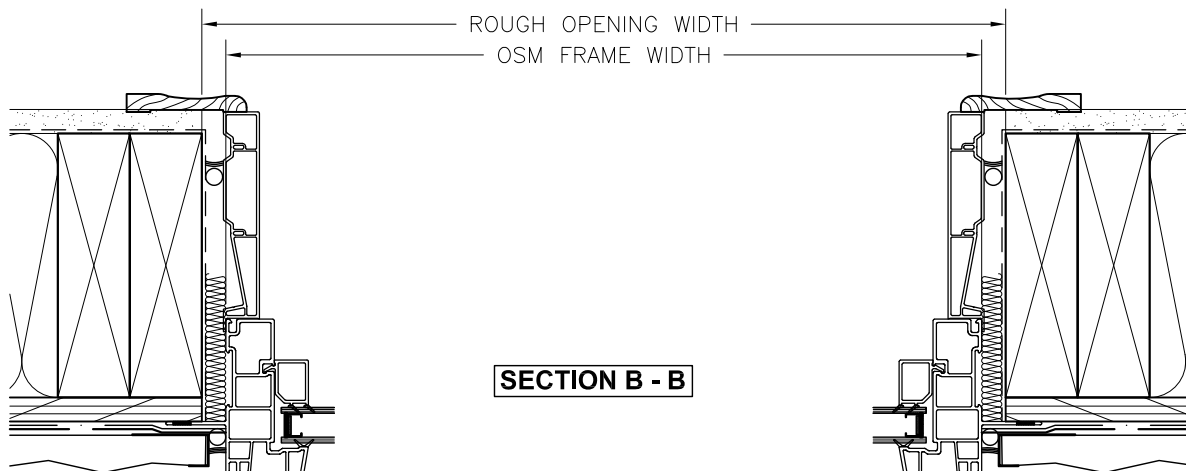
SAMPLE ELEVATION
EXTERIOR VIEW



SILL DETAIL
2x6 STUD WALL



SILL DETAIL
2x4 STUD WALL



SECTION B - B

JAMB DETAIL
2x6 STUD WALL