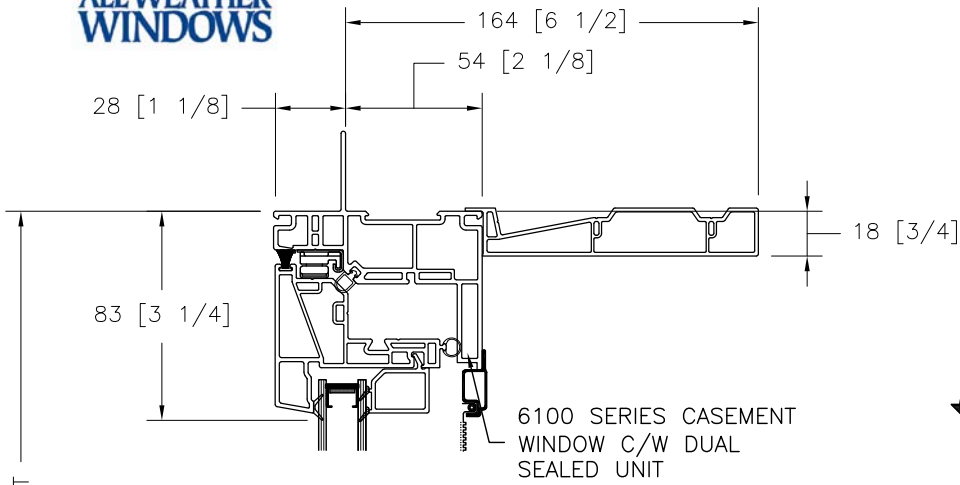




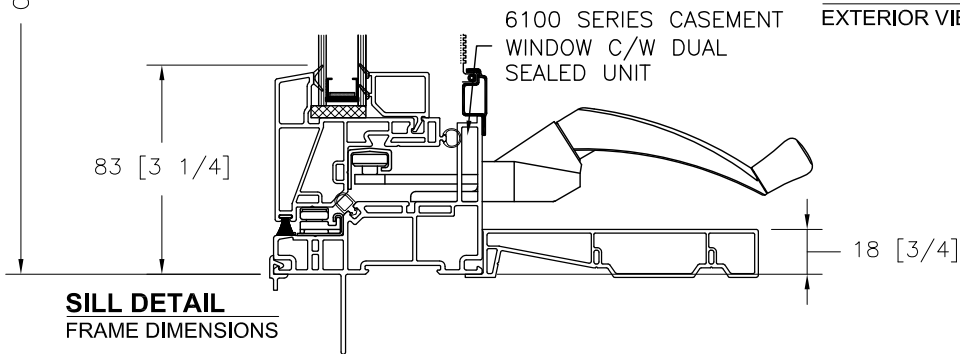
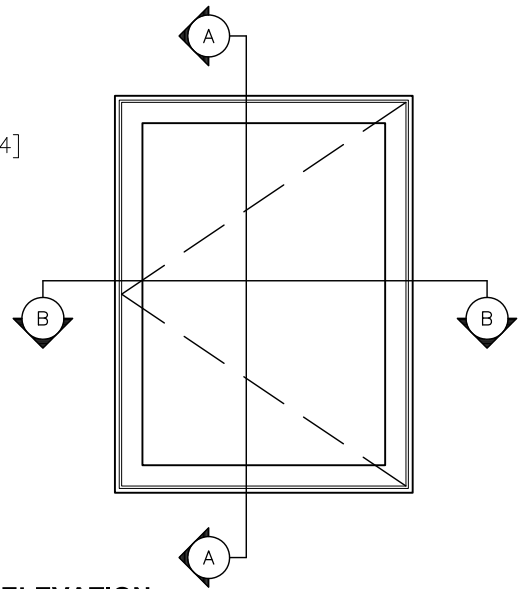
# ASCENT

## 6100 SERIES SECTION DETAILS CASEMENT

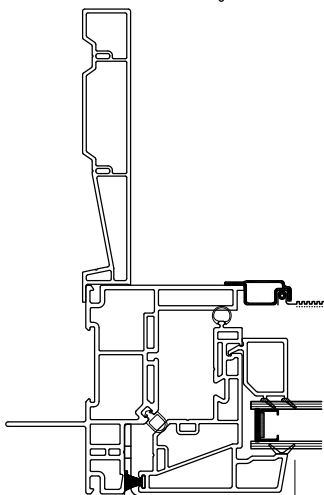


**HEAD DETAIL**  
FRAME DIMENSIONS

**SECTION A - A**

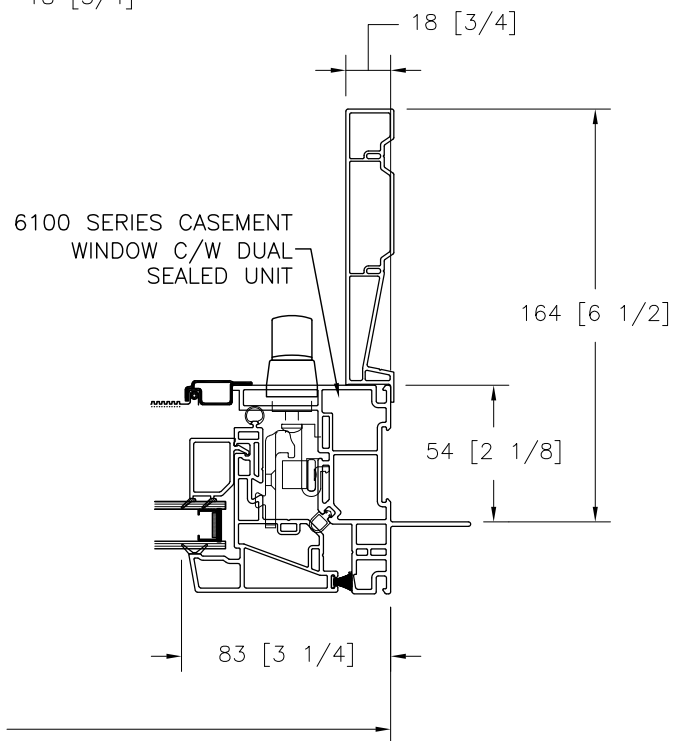


**SILL DETAIL**  
FRAME DIMENSIONS



**JAMB DETAIL**  
FRAME DIMENSIONS

**SECTION B - B**

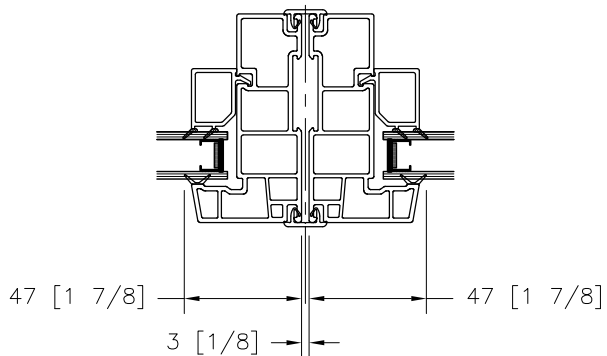


OSM FRAME WIDTH

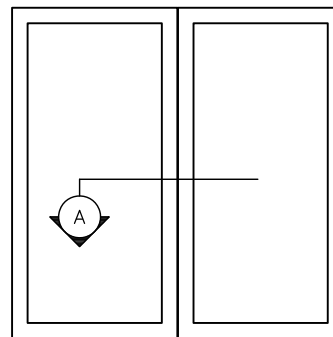


# ASCENT

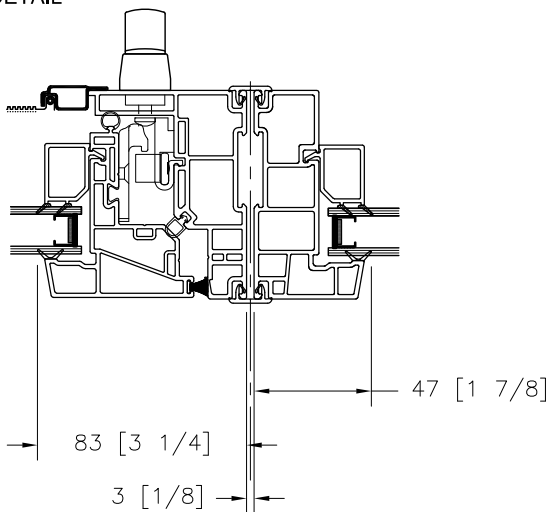
## 6100 SERIES SECTION DETAILS MULLIONS



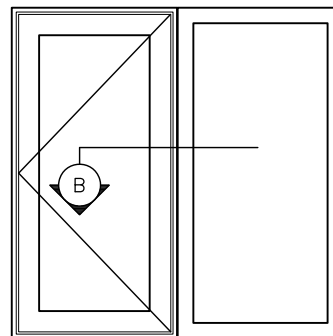
**A. PICTURE - PICTURE**  
MULLION DETAIL



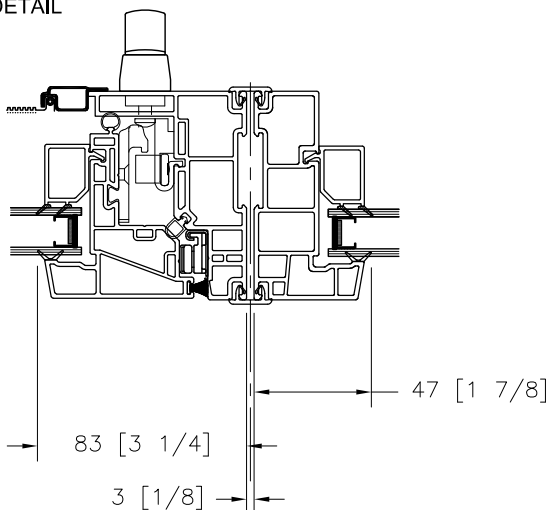
**SAMPLE ELEVATION**  
EXTERIOR VIEW



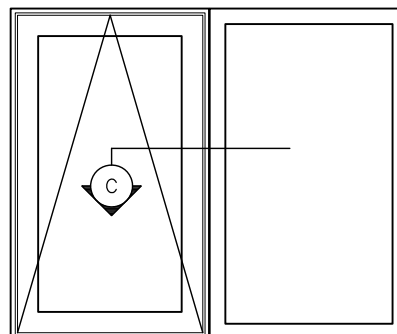
**B. CASEMENT - PICTURE**  
MULLION DETAIL



**SAMPLE ELEVATION**  
EXTERIOR VIEW



**C. AWNING - PICTURE**  
MULLION DETAIL

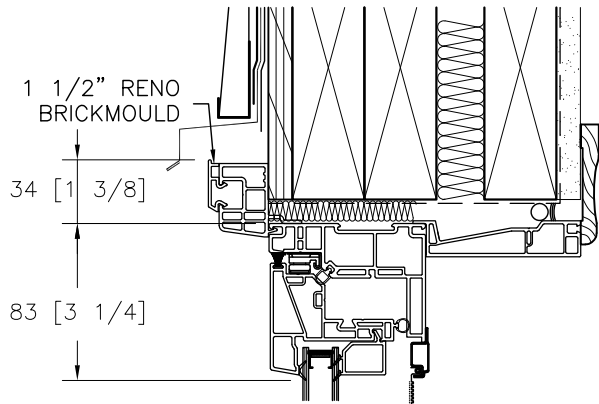


**SAMPLE ELEVATION**  
EXTERIOR VIEW

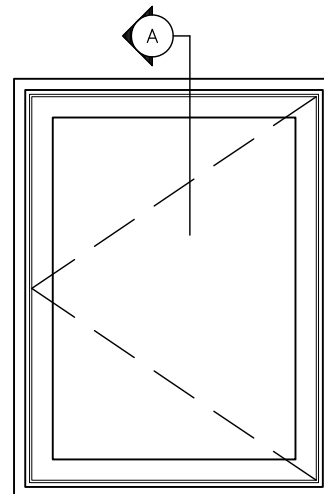


# ASCENT

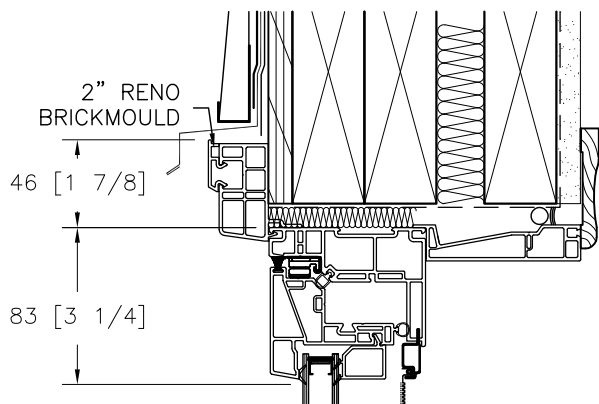
## 6100 SERIES SECTION DETAILS OPTIONS



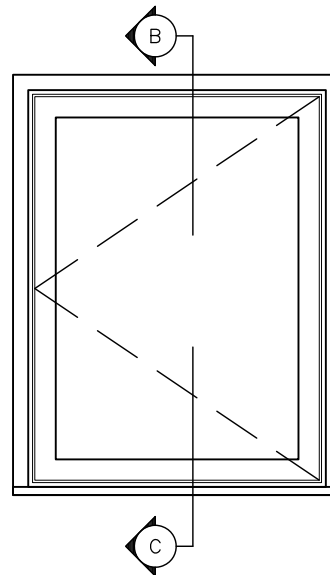
**A - 1 1/2" 'RENO' BRICKMOULD**  
OPTION



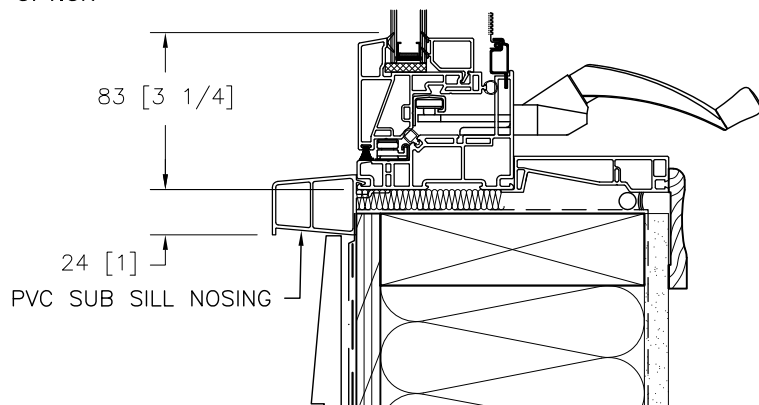
**SAMPLE ELEVATION**  
EXTERIOR VIEW



**B - 2" 'RENO' BRICKMOULD**  
OPTION



**SAMPLE ELEVATION**  
EXTERIOR VIEW

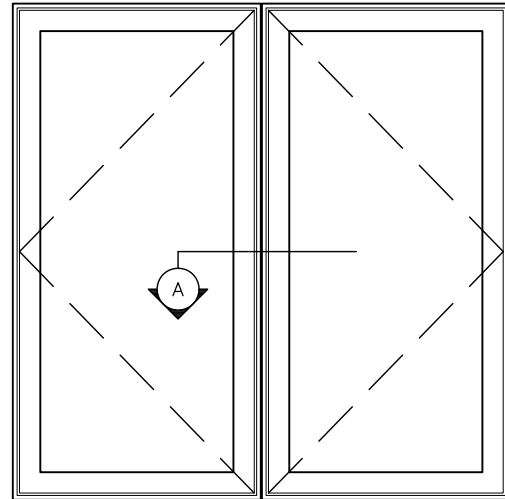
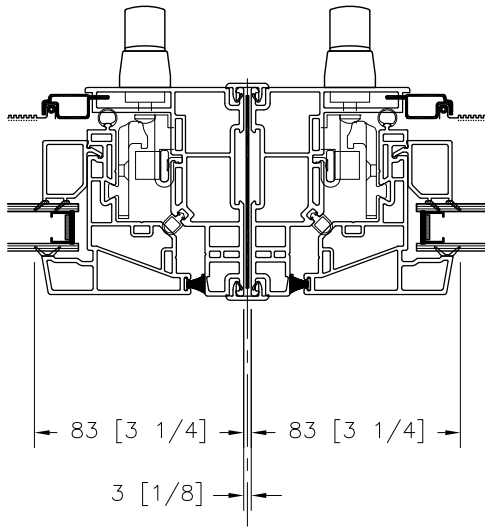


**C - PVC SUBSILL NOSING**  
OPTION



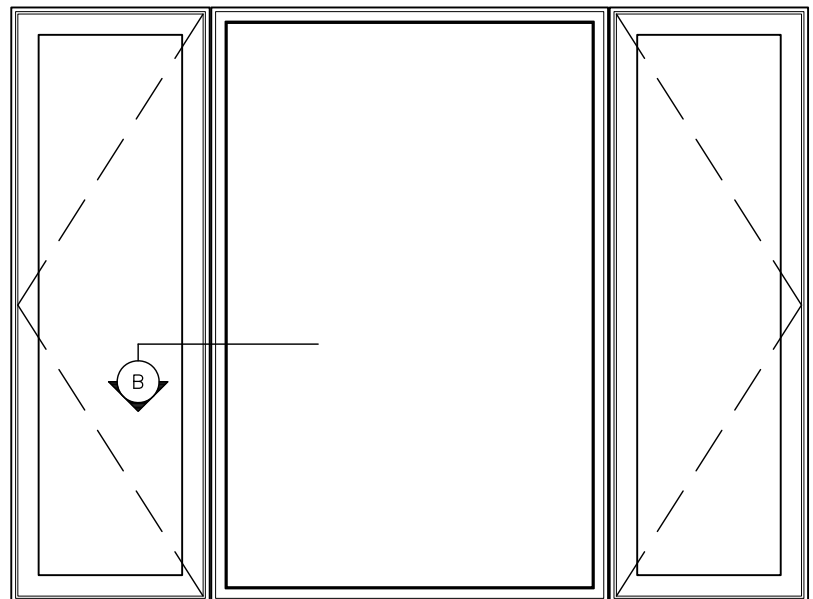
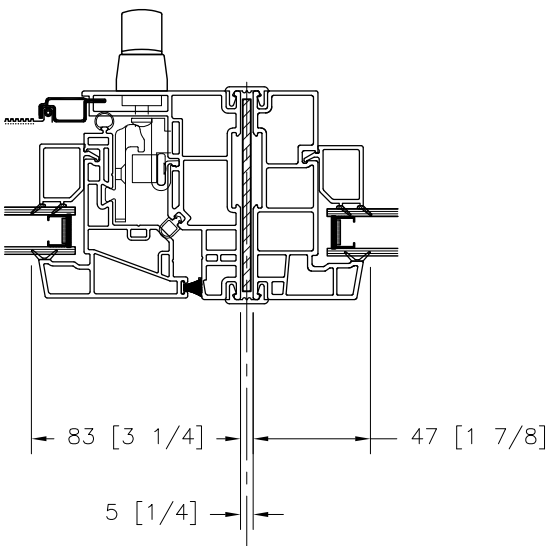
# ASCENT

## 6100 SERIES SECTION DETAILS REINFORCING



**A. CASEMENT - CASEMENT**  
1/32" STEEL REINFORCED MULLION

**SAMPLE ELEVATION**  
EXTERIOR VIEW



**B. CASEMENT - PICTURE**  
1/8" STEEL REINFORCED MULLION

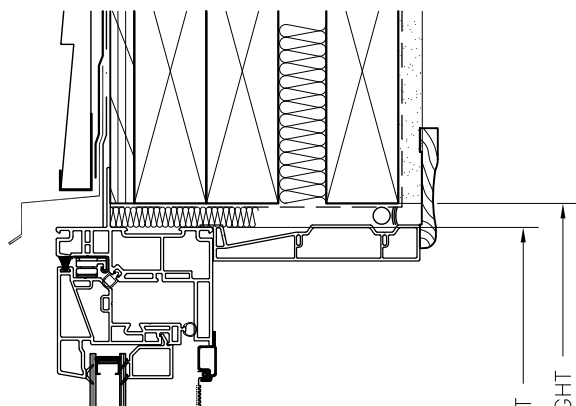
**SAMPLE ELEVATION**  
EXTERIOR VIEW



# ASCENT

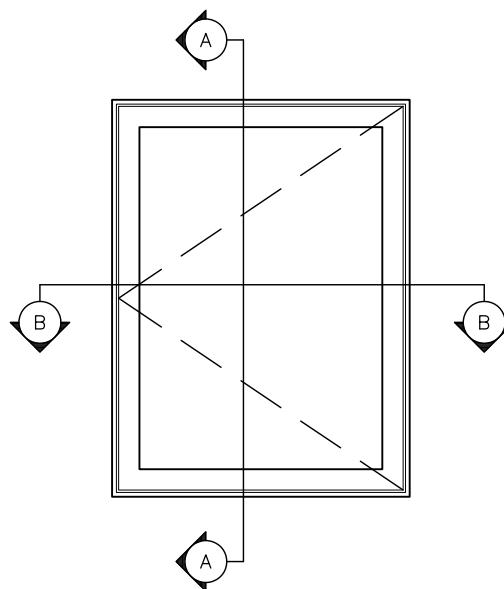
## 6100 SERIES

SECTION DETAILS  
WALL DETAILS

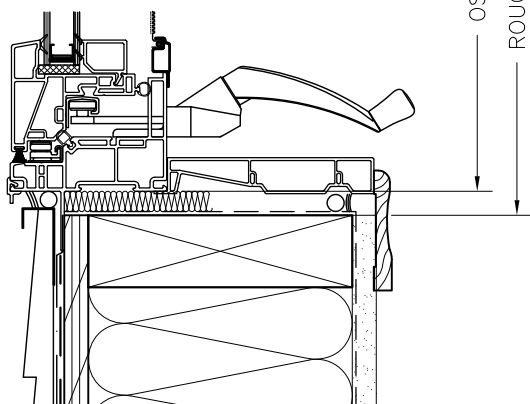


**HEAD DETAIL**  
2x6 STUD WALL

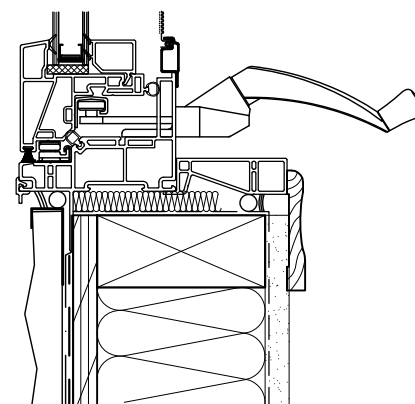
**SECTION A - A**



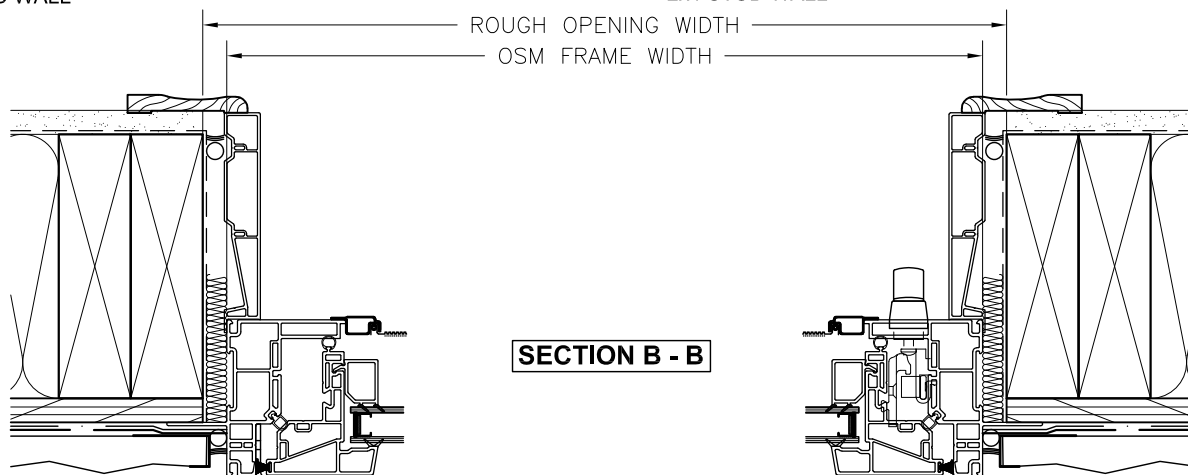
**SAMPLE ELEVATION**  
EXTERIOR VIEW



**SILL DETAIL**  
2x6 STUD WALL



**SILL DETAIL**  
2x4 STUD WALL



**SECTION B - B**

**JAMB DETAIL**  
2x6 STUD WALL