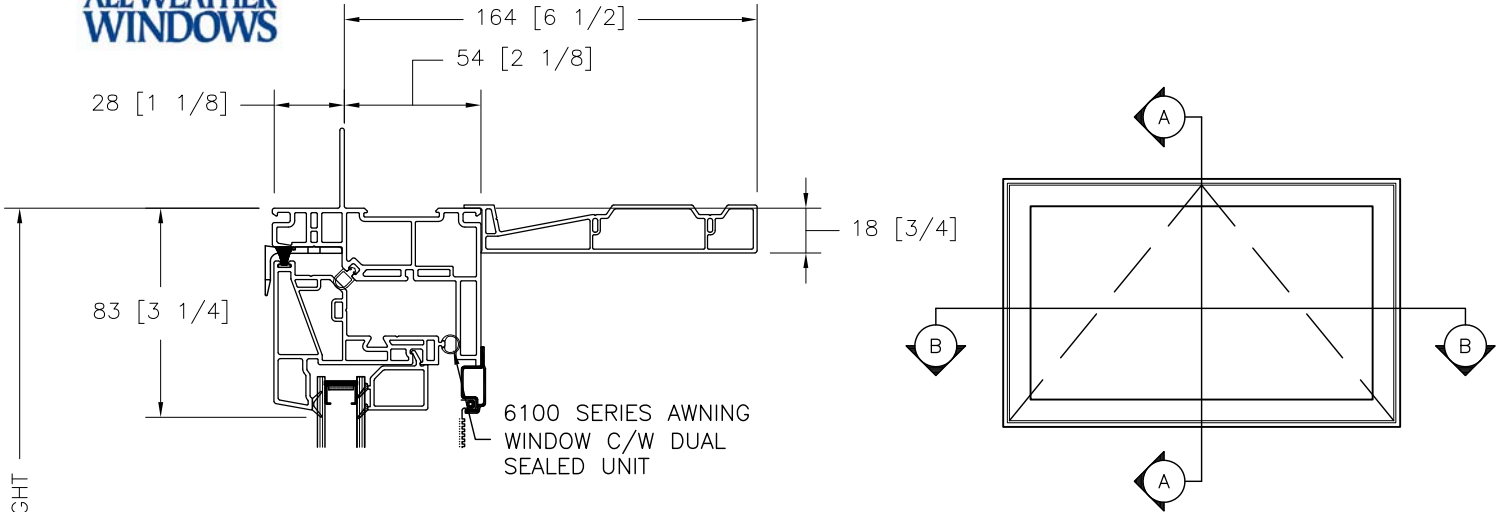




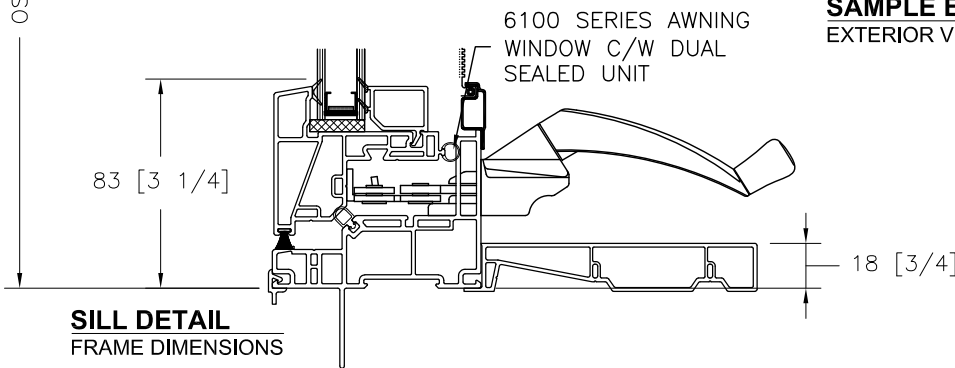
ASCENT

6100 SERIES SECTION DETAILS AWNING

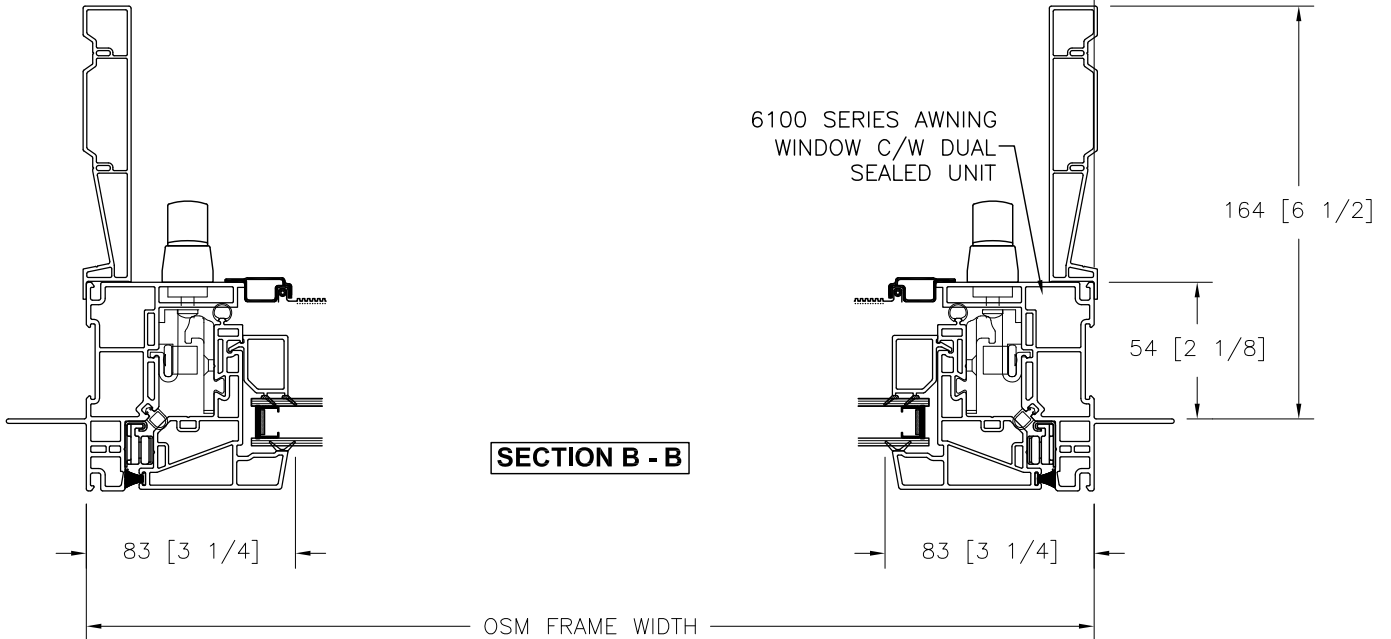


OSM FRAME HEIGHT

HEAD DETAIL
FRAME DIMENSIONS



SILL DETAIL
FRAME DIMENSIONS

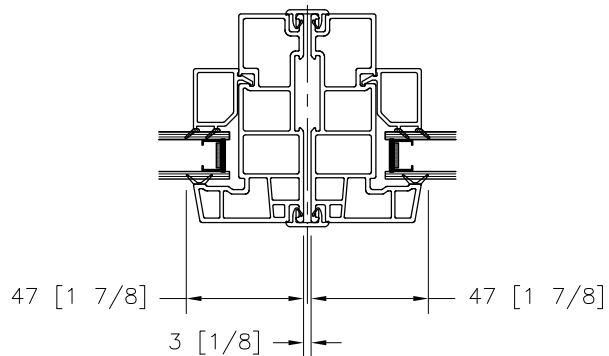


JAMB DETAIL
FRAME DIMENSIONS

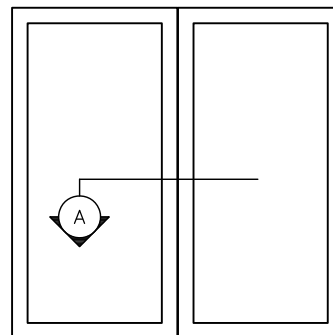


ASCENT

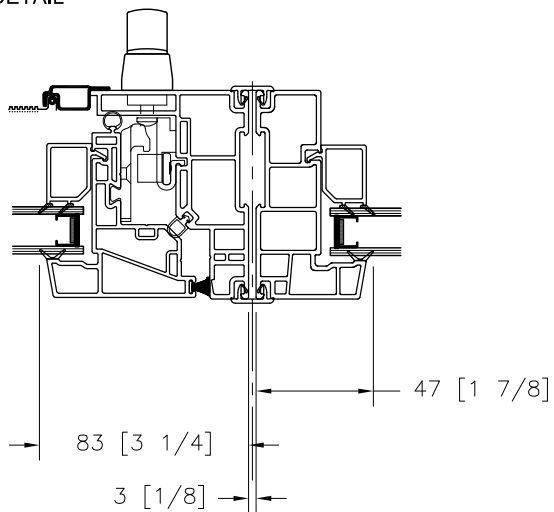
6100 SERIES SECTION DETAILS MULLIONS



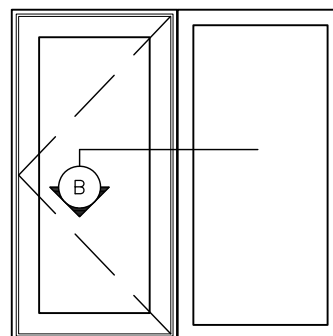
A. PICTURE - PICTURE
MULLION DETAIL



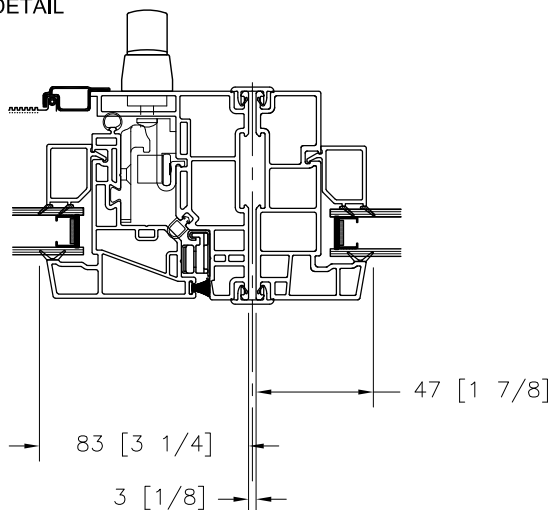
SAMPLE ELEVATION
EXTERIOR VIEW



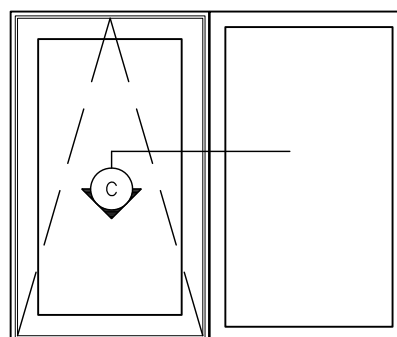
B. CASEMENT - PICTURE
MULLION DETAIL



SAMPLE ELEVATION
EXTERIOR VIEW



C. AWNING - PICTURE
MULLION DETAIL

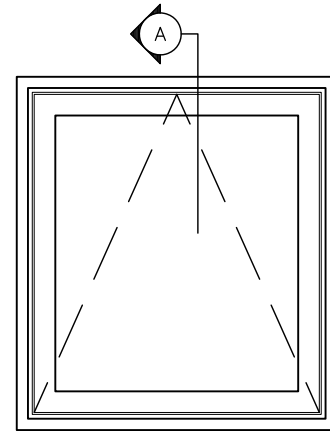
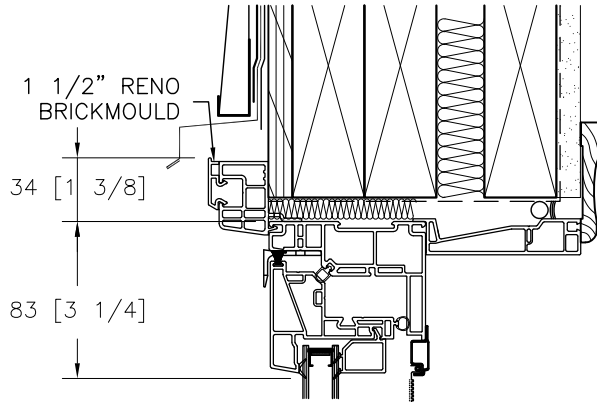


SAMPLE ELEVATION
EXTERIOR VIEW

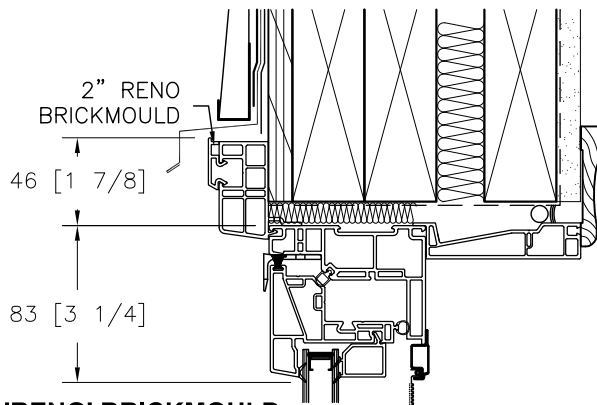


ASCENT

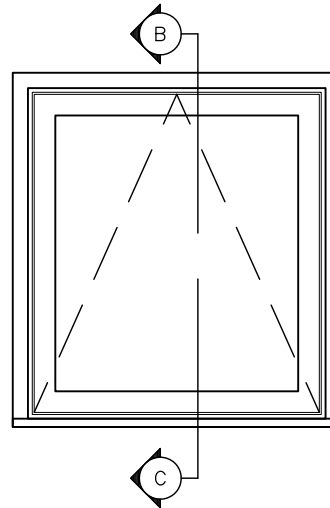
6100 SERIES SECTION DETAILS OPTIONS



A - 1 1/2" 'RENO' BRICKMOULD
OPTION

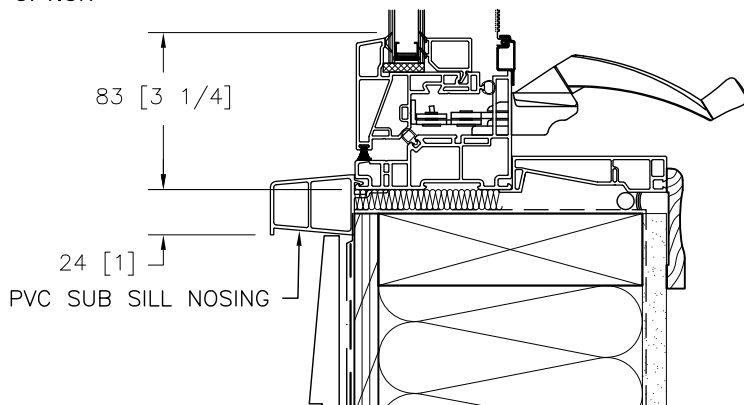


SAMPLE ELEVATION
EXTERIOR VIEW



SAMPLE ELEVATION
EXTERIOR VIEW

B - 2" 'RENO' BRICKMOULD
OPTION



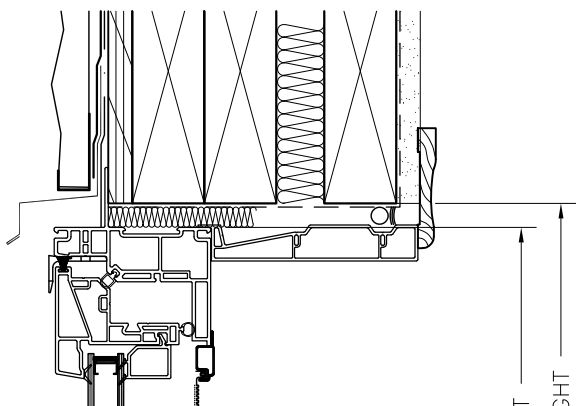
C - PVC SUBSILL NOSING
OPTION



ASCENT

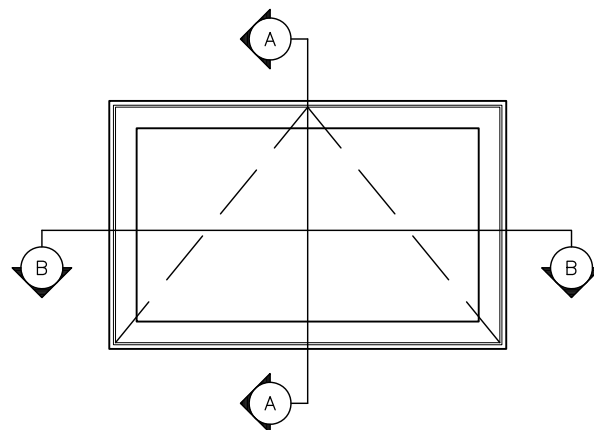
6100 SERIES

SECTION DETAILS
WALL DETAILS

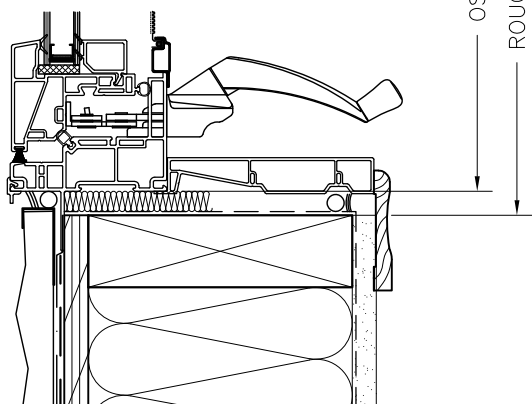


HEAD DETAIL
2x6 STUD WALL

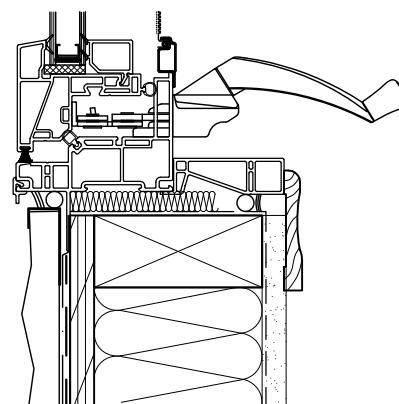
SECTION A - A



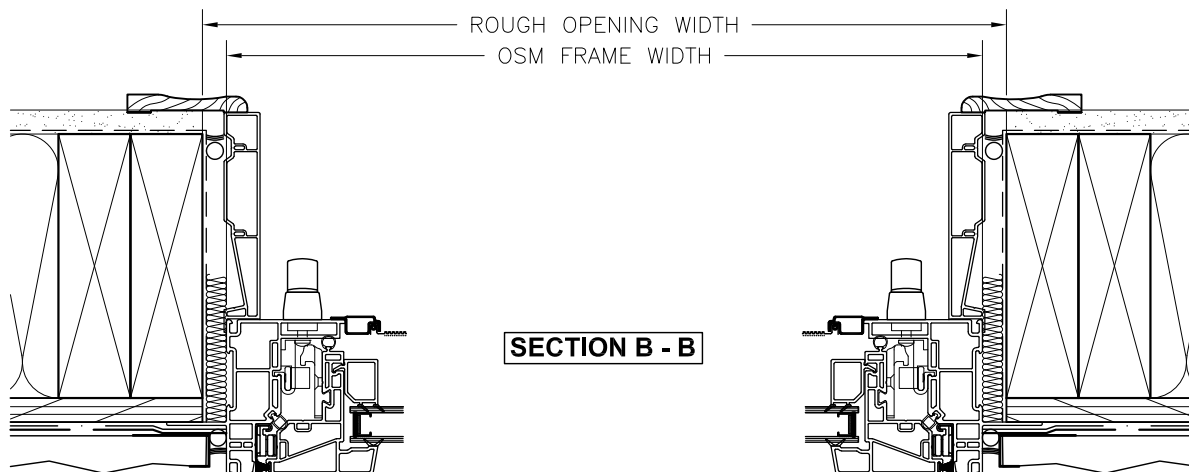
SAMPLE ELEVATION
EXTERIOR VIEW



SILL DETAIL
2x6 STUD WALL



SILL DETAIL
2x4 STUD WALL



SECTION B - B

JAMB DETAIL
2x6 STUD WALL