

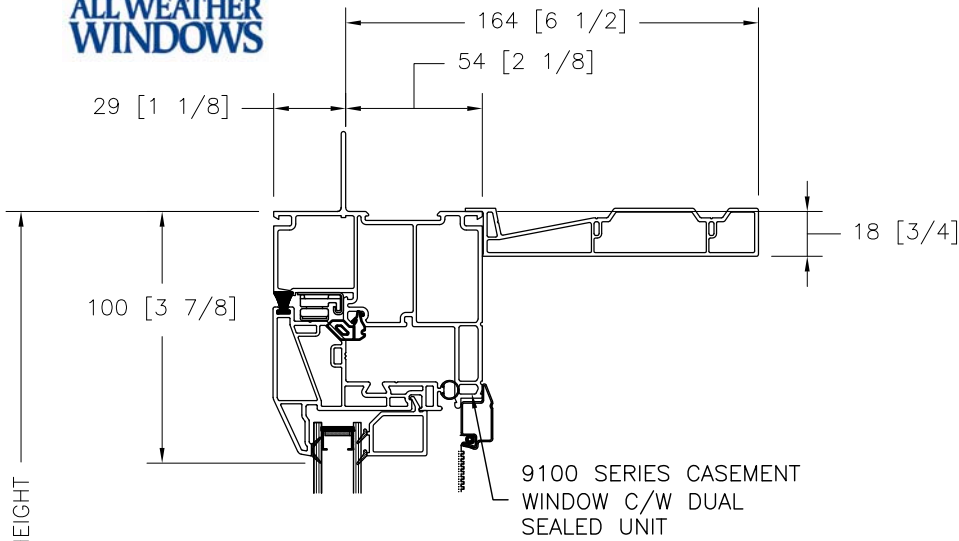


APEX

your ultimate window solution
with RENOLIT

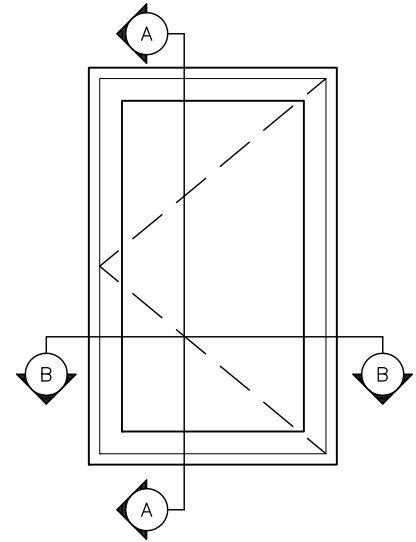
9100 SERIES

SECTION DETAILS
CASEMENT



HEAD DETAIL
FRAME DIMENSIONS

SECTION A - A

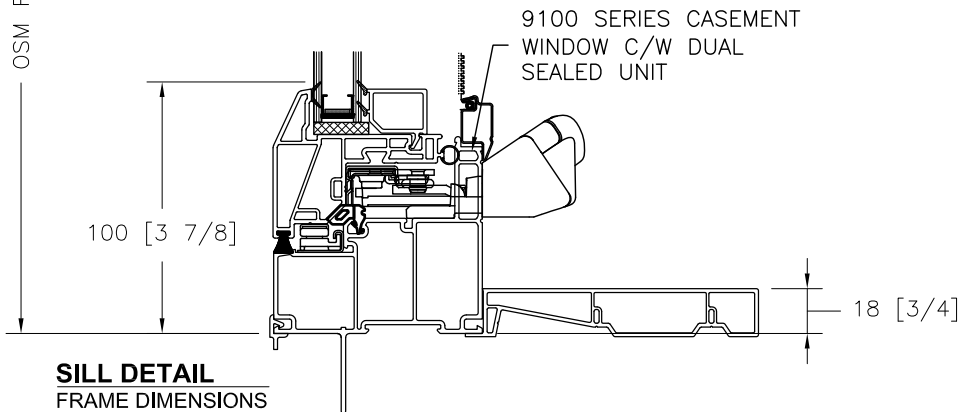


SAMPLE ELEVATION
EXTERIOR VIEW

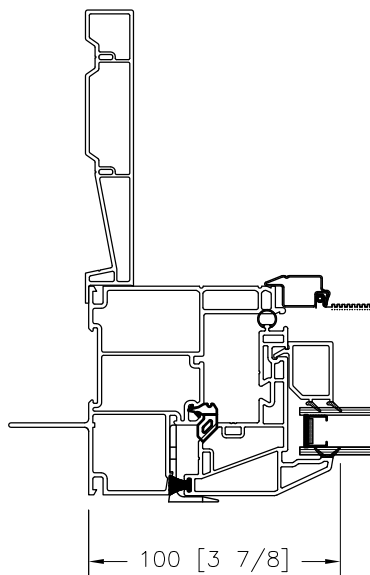
OSM FRAME HEIGHT

OSM FRAME HEIGHT

SILL DETAIL
FRAME DIMENSIONS



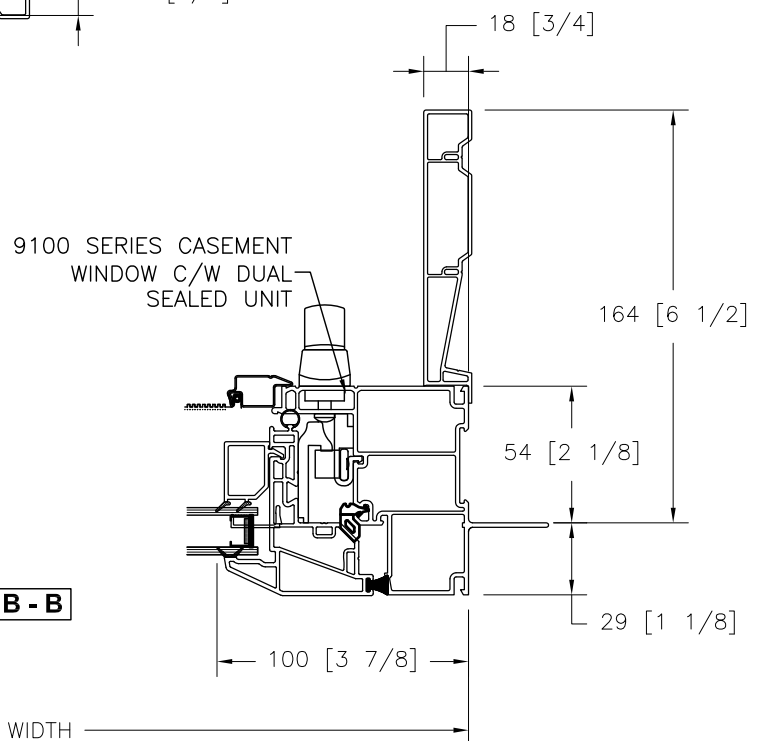
SILL DETAIL
FRAME DIMENSIONS



JAMB DETAIL
FRAME DIMENSIONS

SECTION B - B

OSM FRAME WIDTH



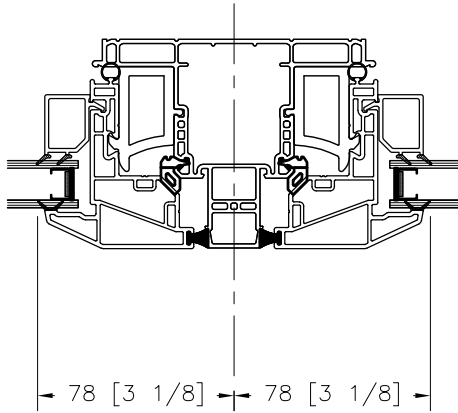


APEX

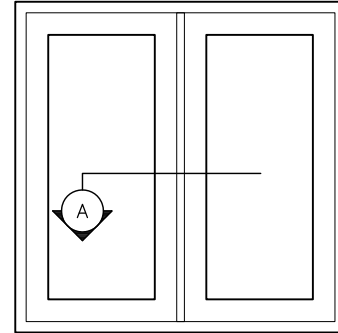
your ultimate window solution
with RENOLIT

9100 SERIES

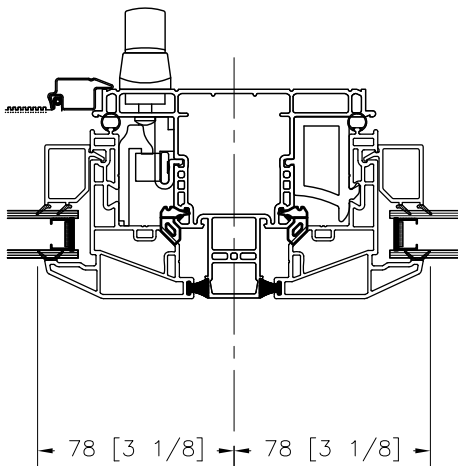
SECTION DETAILS
MULLIONS



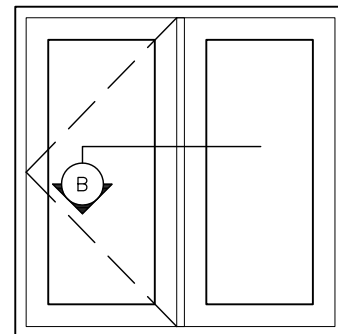
A. FIXED - FIXED
MULLION DETAIL



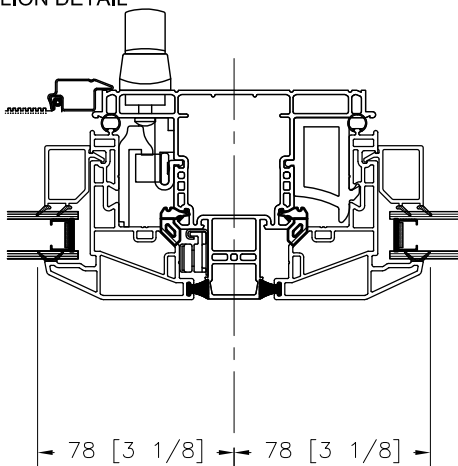
SAMPLE ELEVATION
EXTERIOR VIEW



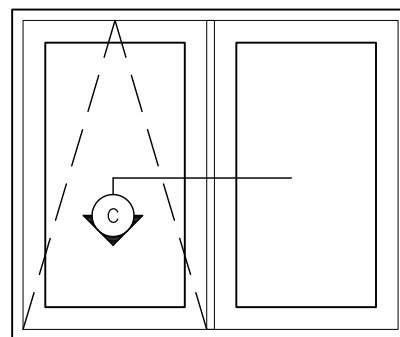
B. CASEMENT - FIXED
MULLION DETAIL



SAMPLE ELEVATION
EXTERIOR VIEW



C. AWNING - FIXED
MULLION DETAIL



SAMPLE ELEVATION
EXTERIOR VIEW

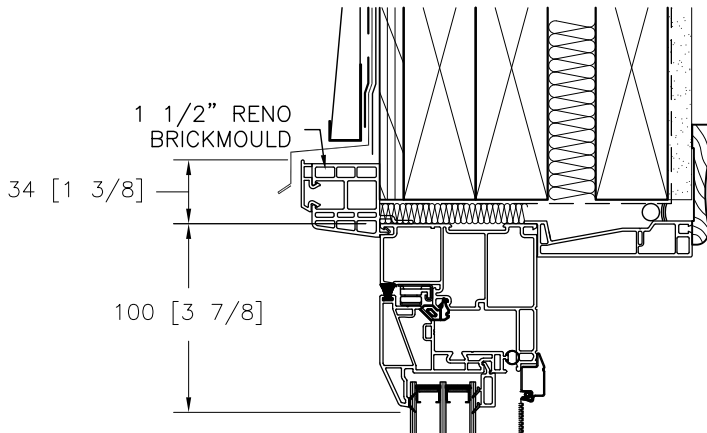


APEX

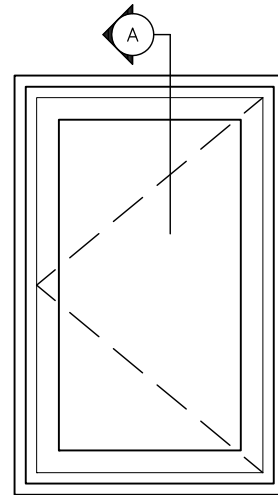
your ultimate window solution
with RENOLIT

9100 SERIES

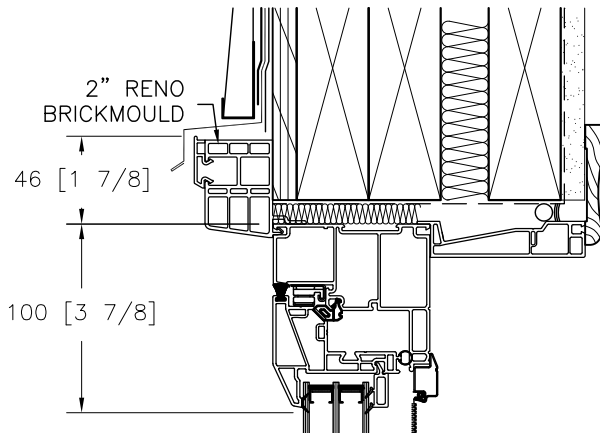
SECTION DETAILS
OPTIONS



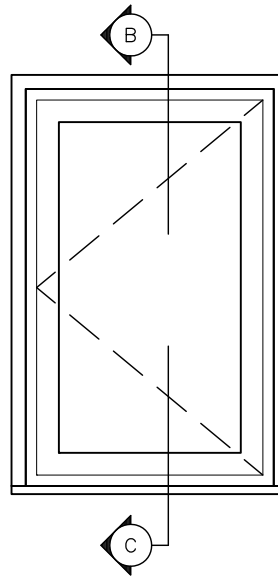
A - 1 1/2" RENO BRICKMOULD
OPTION:



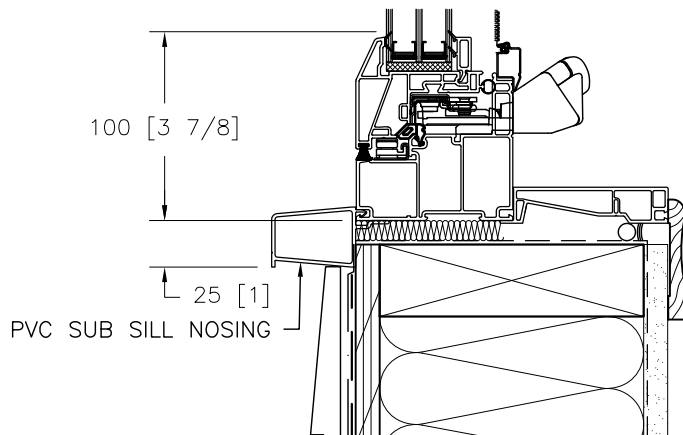
SAMPLE ELEVATION
EXTERIOR VIEW



B - 2" 'RENO' BRICKMOULD
OPTION:



SAMPLE ELEVATION
EXTERIOR VIEW



C - PVC SUBSILL NOSING
OPTION

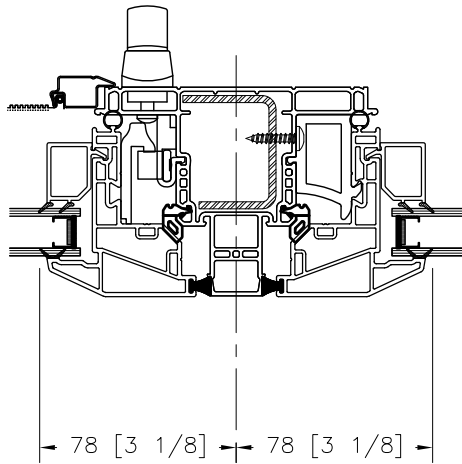


APEX

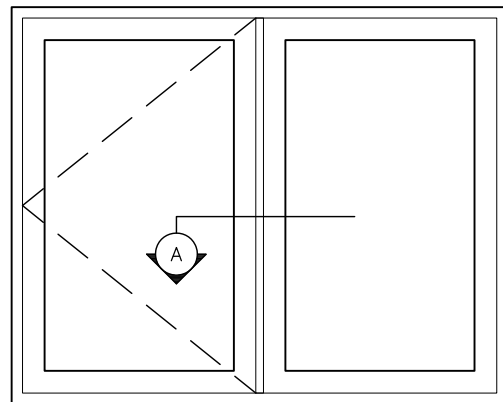
your ultimate window solution
with RENOLIT

9100 SERIES

SECTION DETAILS
REINFORCING



A. CASEMENT - FIXED
STEEL REINFORCED MULLION



SAMPLE ELEVATION
EXTERIOR VIEW

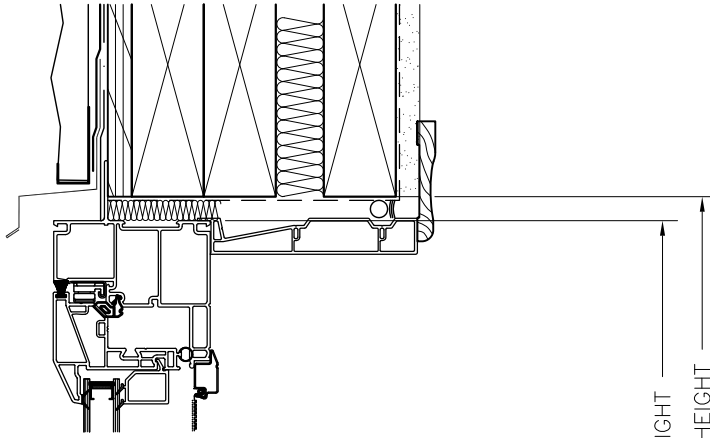


APEX

your ultimate window solution
with RENOLIT

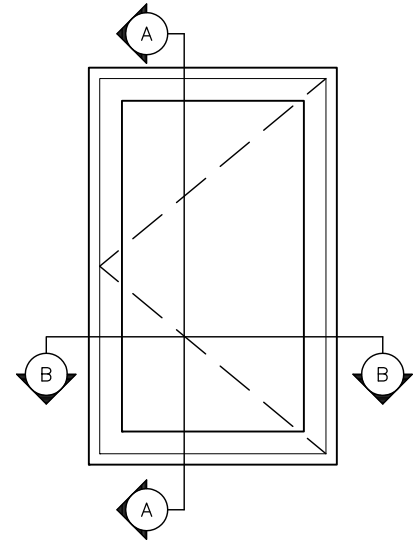
9100 SERIES

SECTION DETAILS
WALL DETAILS

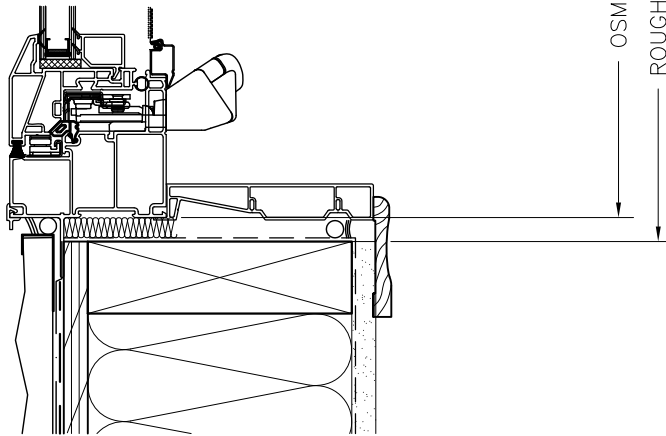


HEAD DETAIL
2x6 STUD WALL

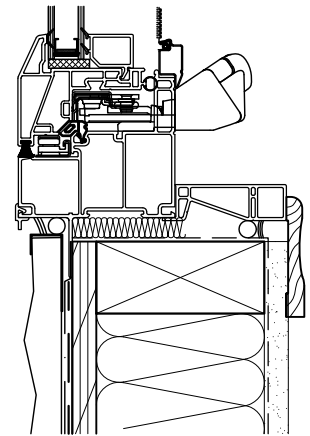
SECTION A - A



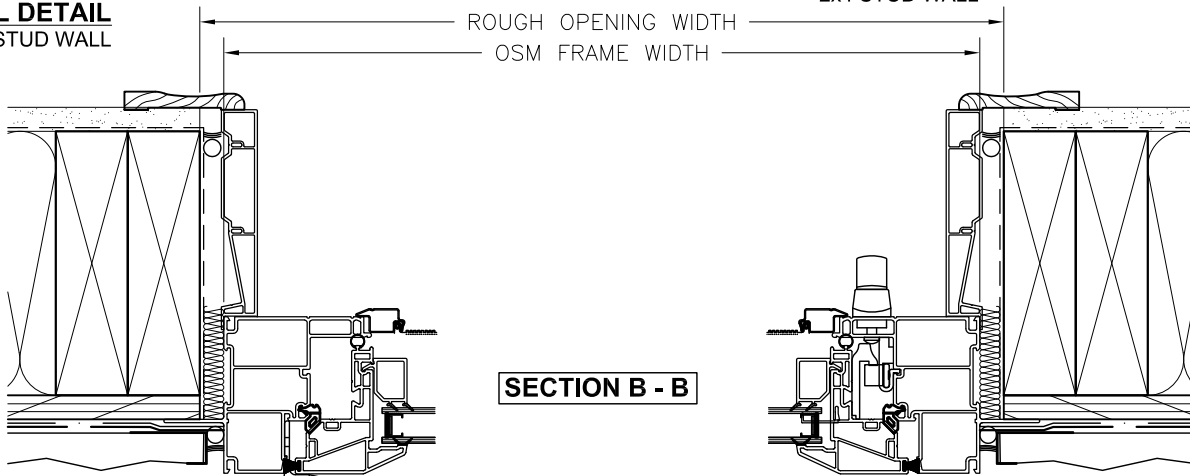
SAMPLE ELEVATION
EXTERIOR VIEW



SILL DETAIL
2x6 STUD WALL



SILL DETAIL
2x4 STUD WALL



SECTION B - B

JAMB DETAIL
2x6 STUD WALL