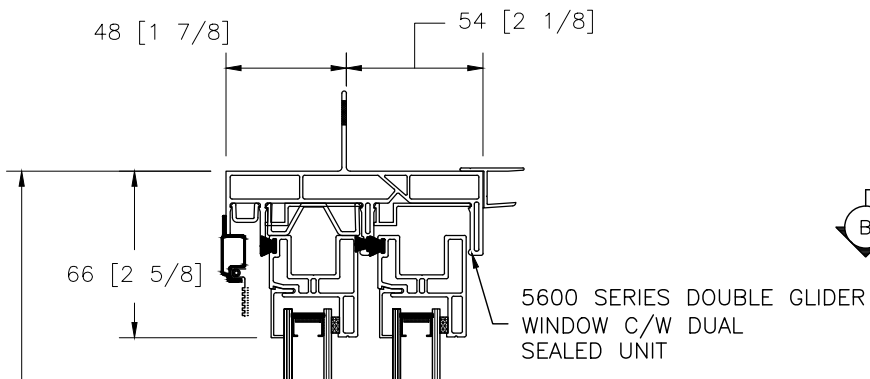




ENERGYSAVER

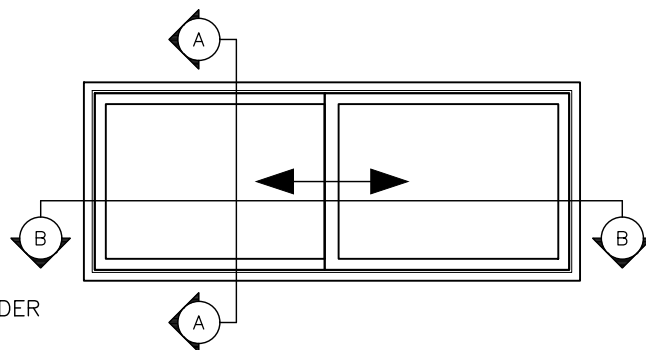
PVC WINDOW SYSTEM

5600 SERIES
SECTION DETAILS
DOUBLE GLIDER
BASEMENT WINDOW



HEAD DETAIL
FRAME DIMENSIONS

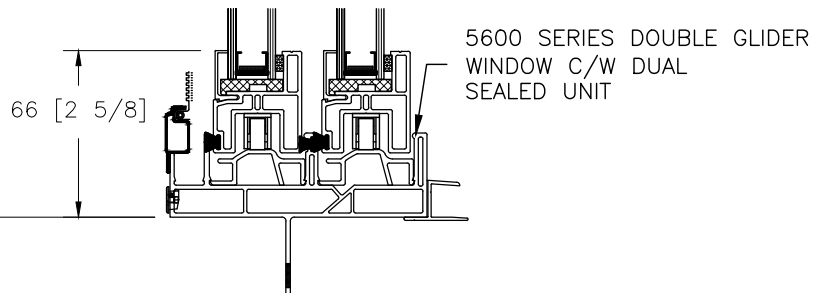
SECTION A - A



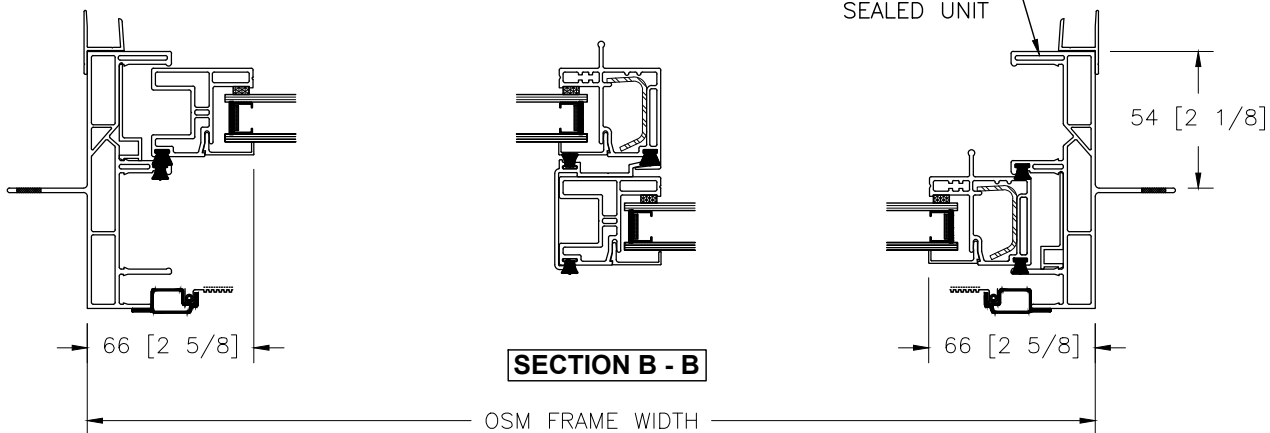
OSM FRAME HEIGHT

OSM FRAME HEIGHT

SILL DETAIL
FRAME DIMENSIONS



5600 SERIES DOUBLE GLIDER WINDOW C/W DUAL SEALED UNIT



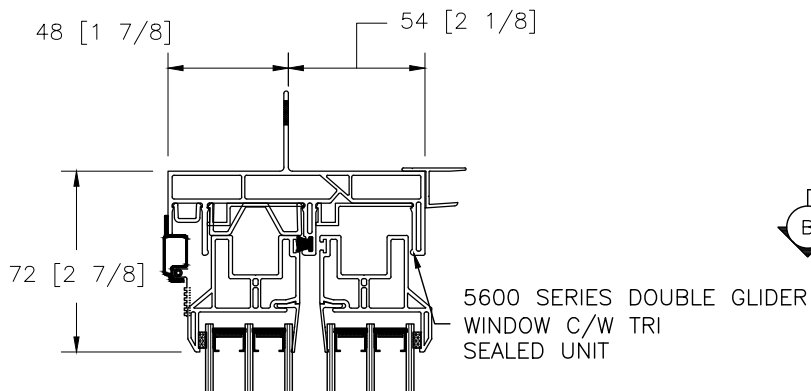
JAMB DETAIL
FRAME DIMENSIONS



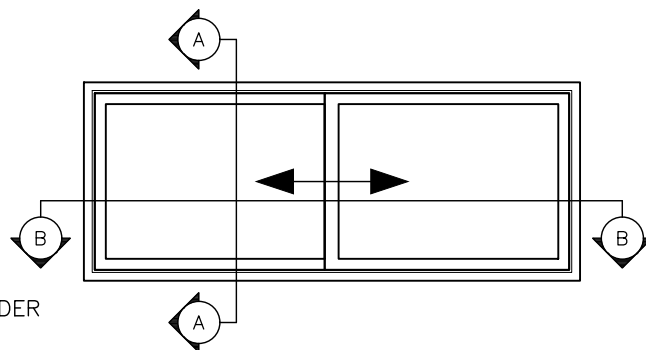
ENERGYSAVER

PVC WINDOW SYSTEM

5600 SERIES
SECTION DETAILS
OPTIONS
TRIPANE GLAZING

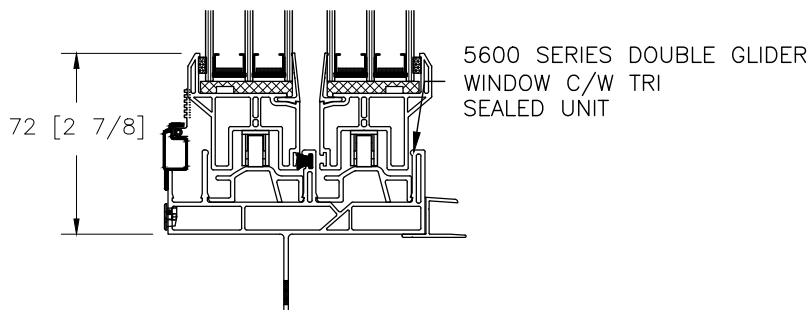


HEAD DETAIL
FRAME DIMENSIONS

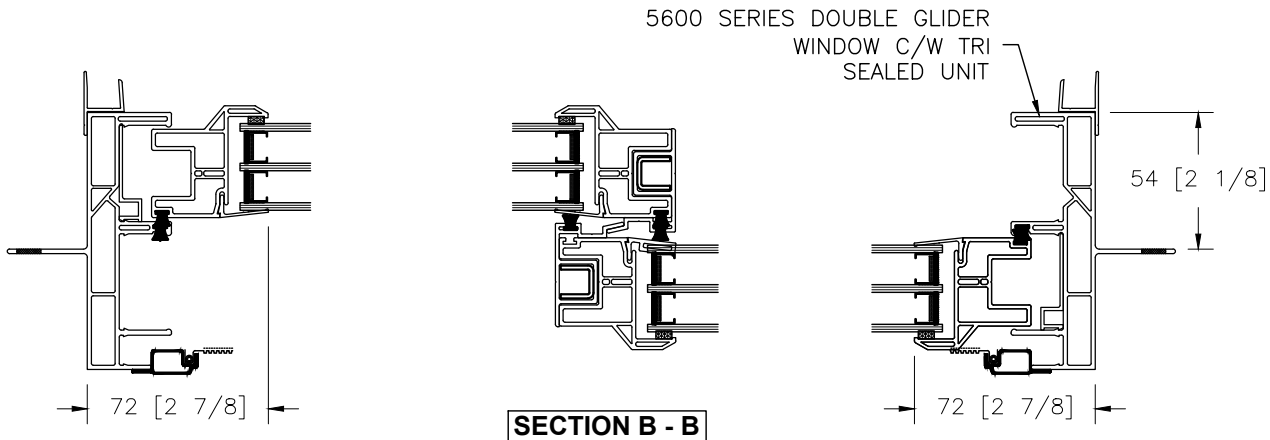


SAMPLE ELEVATION
EXTERIOR VIEW

SECTION A - A



SILL DETAIL
FRAME DIMENSIONS



SECTION B - B

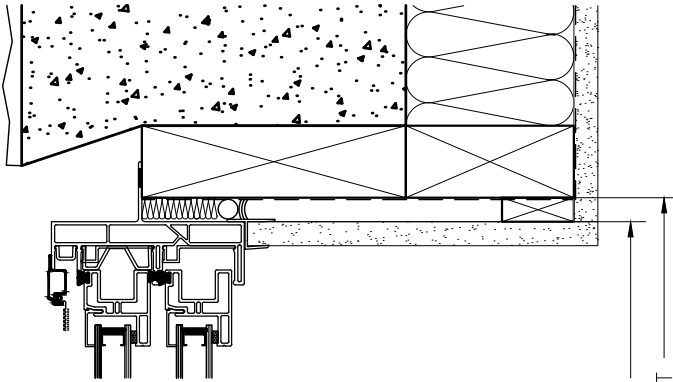
JAMB DETAIL
FRAME DIMENSIONS



ENERGYSAVER

PVC WINDOW SYSTEM

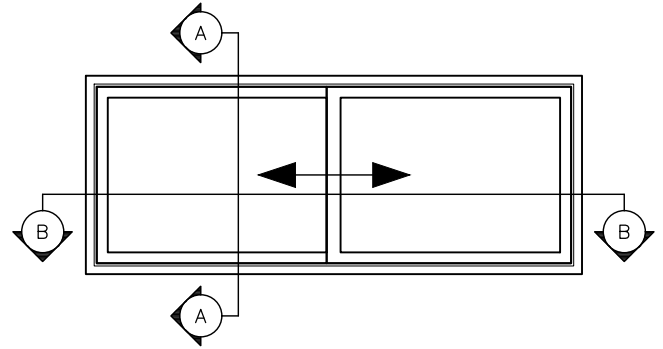
5600 SERIES
SECTION DETAILS
WALL DETAILS



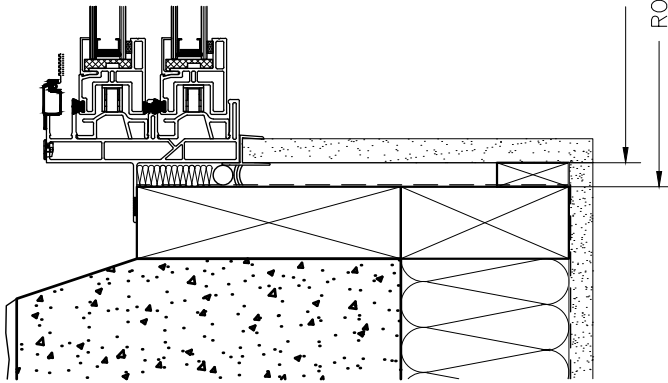
HEAD DETAIL
BASEMENT WALL

SECTION A - A

OSM FRAME HEIGHT
ROUGH OPENING HEIGHT



SAMPLE ELEVATION
EXTERIOR VIEW



SILL DETAIL
BASEMENT WALL

ROUGH OPENING HEIGHT
OSM FRAME WIDTH

JAMB DETAIL
BASEMENT WALL

SECTION B - B

