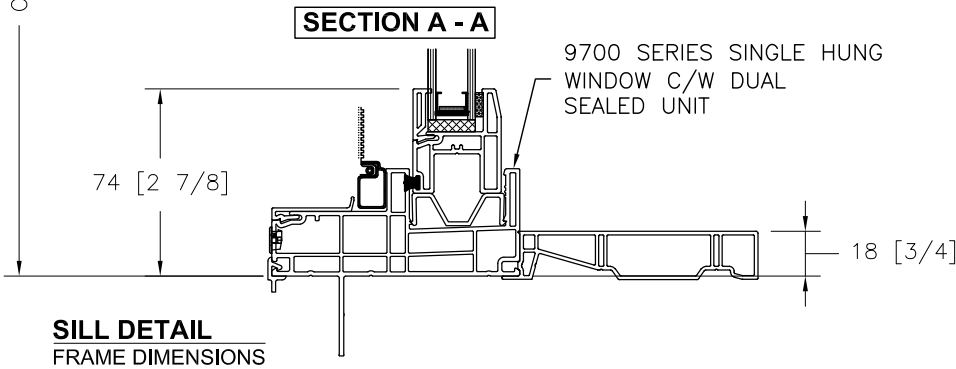
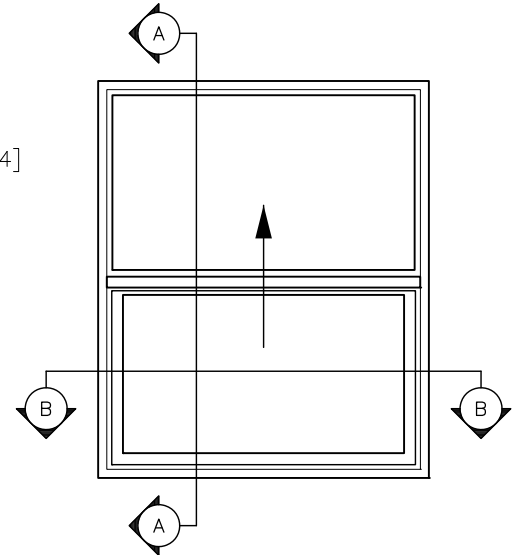
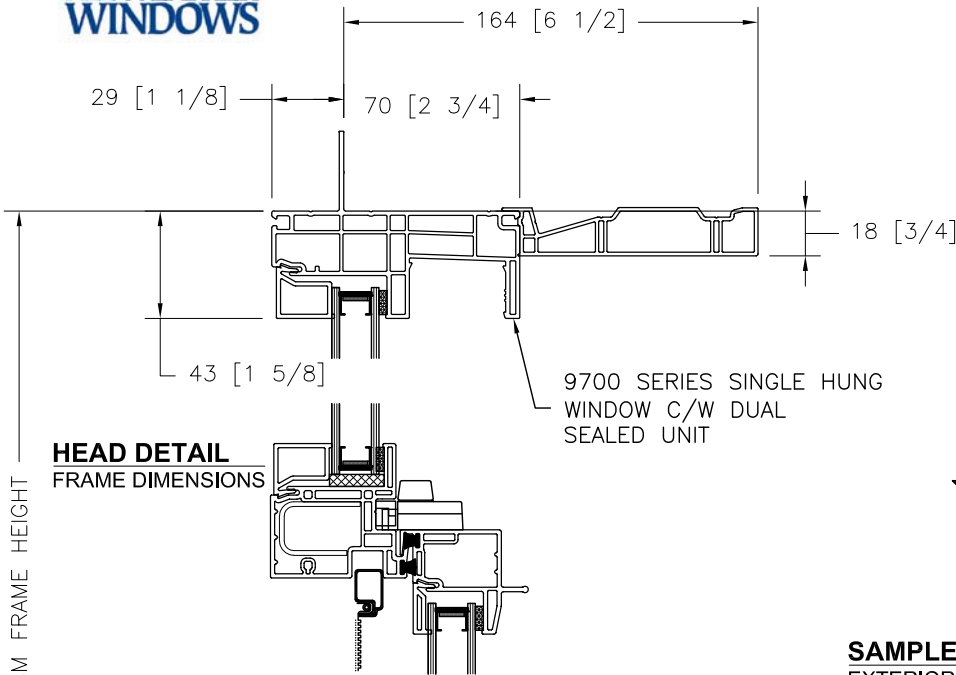


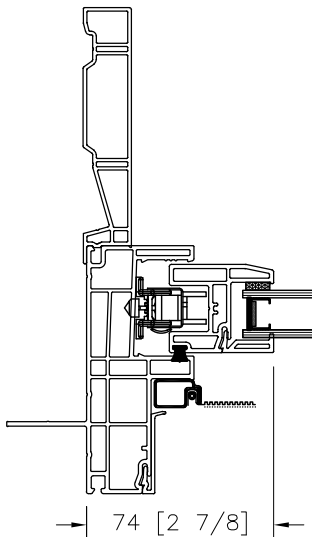


SUMMIT

9700 SERIES SECTION DETAILS SINGLE HUNG

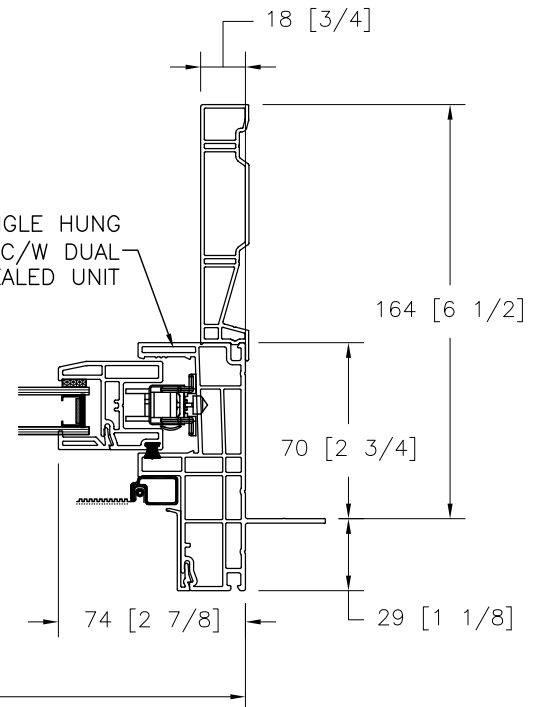


SILL DETAIL
FRAME DIMENSIONS



SECTION B - B

9700 SERIES SINGLE HUNG WINDOW C/W DUAL SEALED UNIT



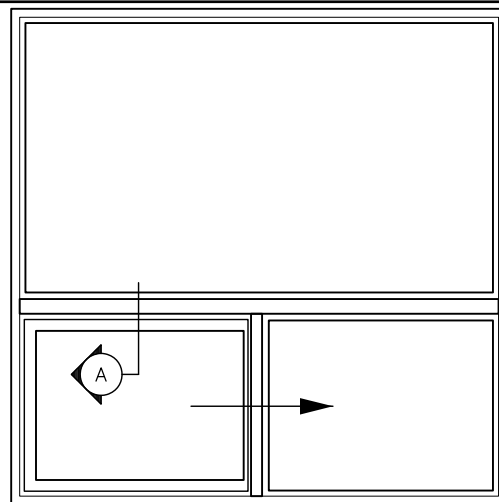
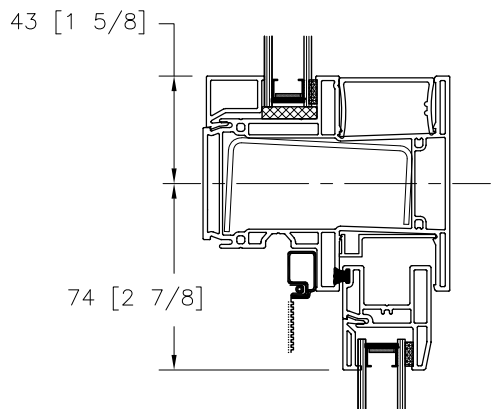
OSM FRAME WIDTH

JAMB DETAIL
FRAME DIMENSIONS



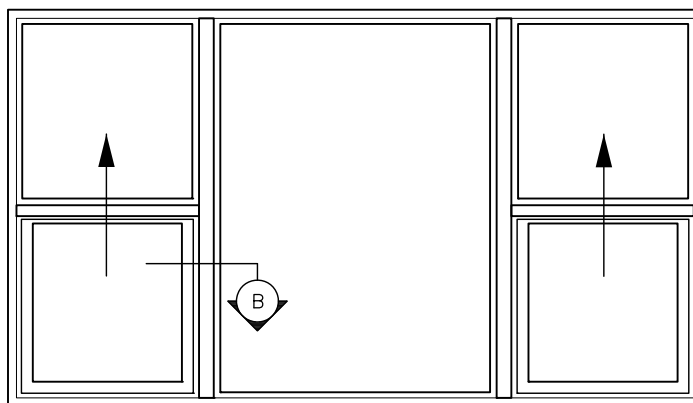
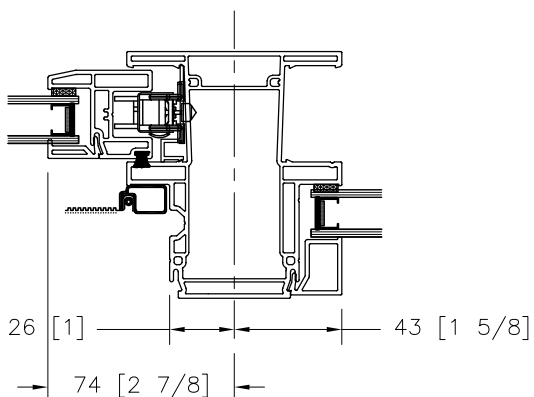
SUMMIT

9700 SERIES SECTION DETAILS MULLIONS



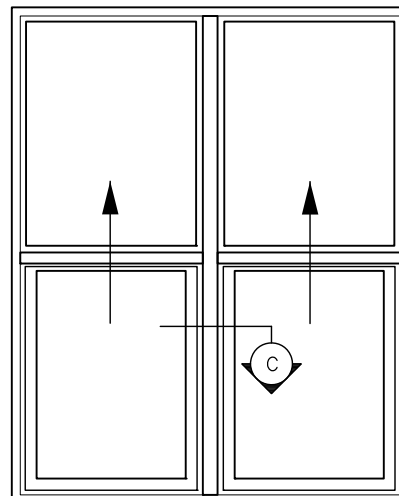
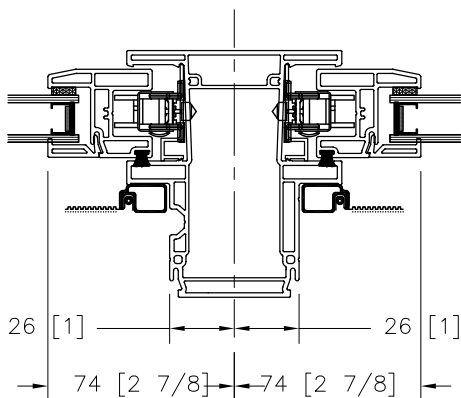
A. PICTURE / GLIDER
MULLION DETAIL C/W STEEL REINFORCING

SAMPLE ELEVATION
EXTERIOR VIEW



B. SINGLE HUNG - PICTURE
MULLION DETAIL

SAMPLE ELEVATION
EXTERIOR VIEW



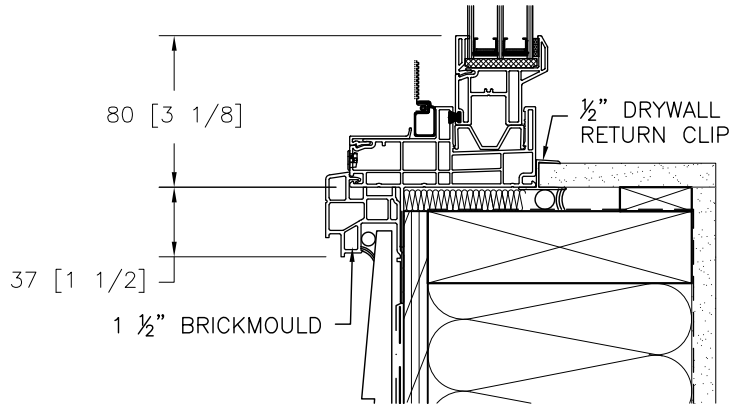
C. SINGLE HUNG - SINGLE HUNG
MULLION DETAIL

SAMPLE ELEVATION
EXTERIOR VIEW

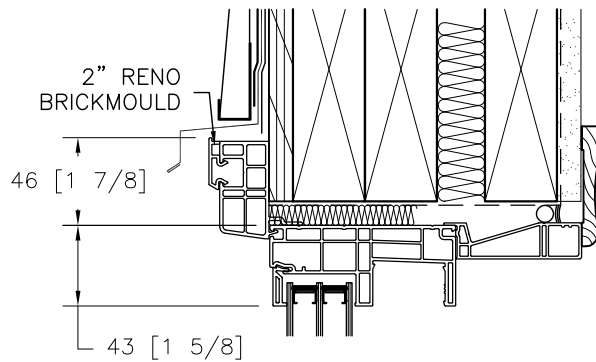
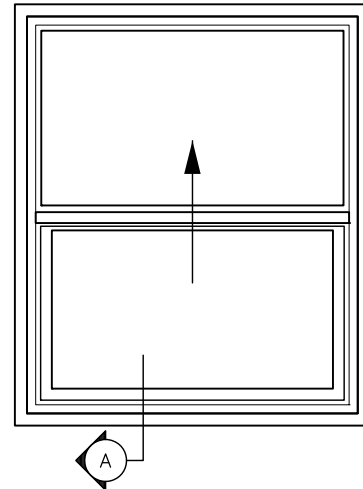


SUMMIT

9700 SERIES SECTION DETAILS OPTIONS

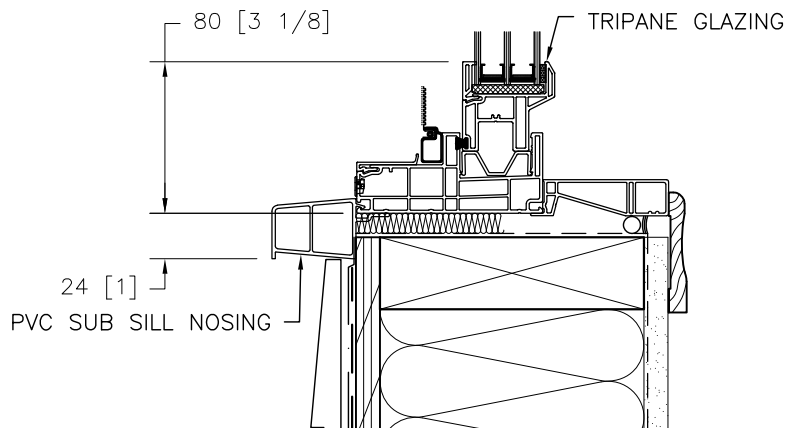
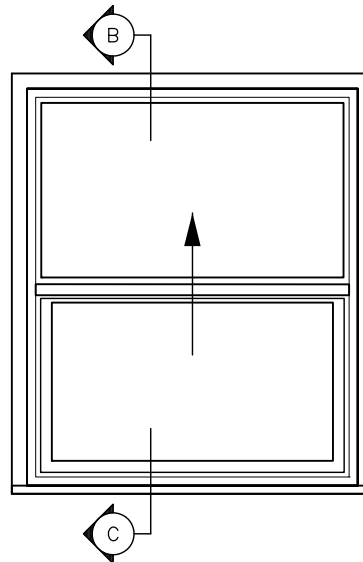


A - 1/2" BRICKMOULD AND 1/2" DRYWALL CLIP
OPTION: 1/2" DRYWALL CLIP SHOWN; 3/4" AVAILABLE.



B - 2" 'RENO' BRICKMOULD
OPTION: 2" BRICKMOULD SHOWN; 1 1/2" AVAILABLE

**SAMPLE ELEVATION
EXTERIOR VIEW**



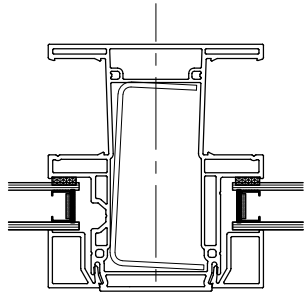
C - PVC SUBSILL NOSING
OPTION

**SAMPLE ELEVATION
EXTERIOR VIEW**

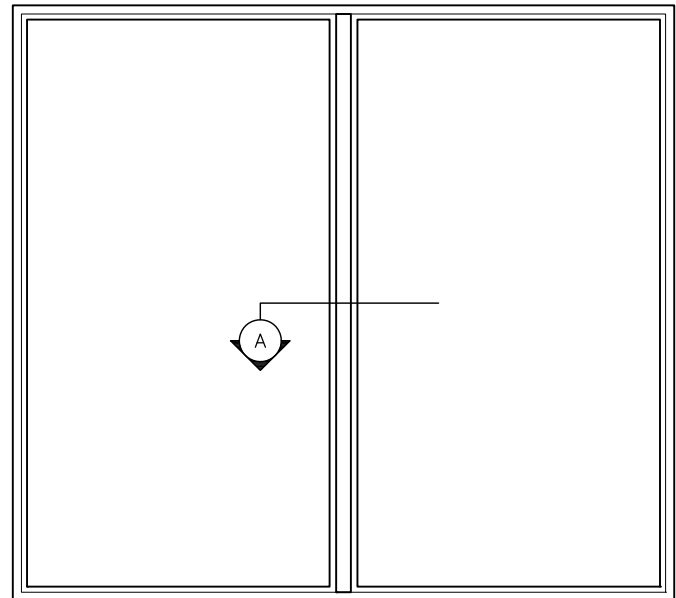


SUMMIT

9700 SERIES SECTION DETAILS REINFORCING



43 [1 5/8] 43 [1 5/8]



A. PICTURE - PICTURE
STEEL REINFORCED MULLION

SAMPLE ELEVATION
EXTERIOR VIEW



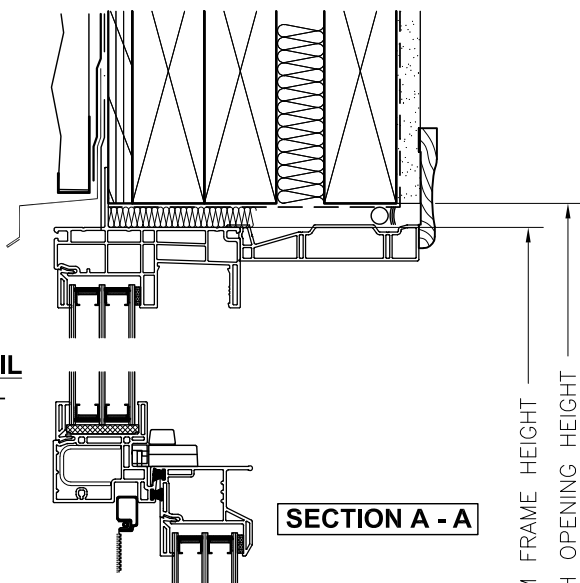
SUMMIT

9700 SERIES

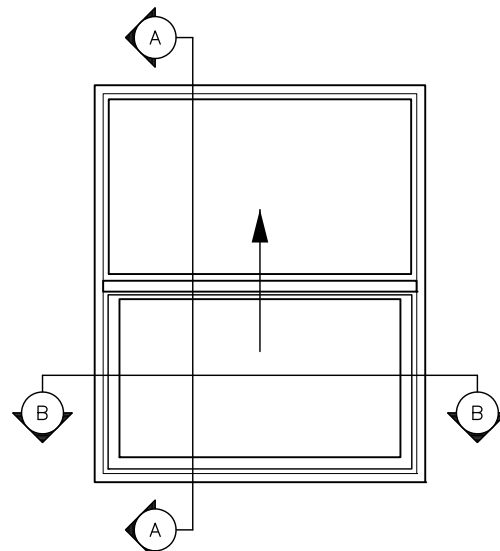
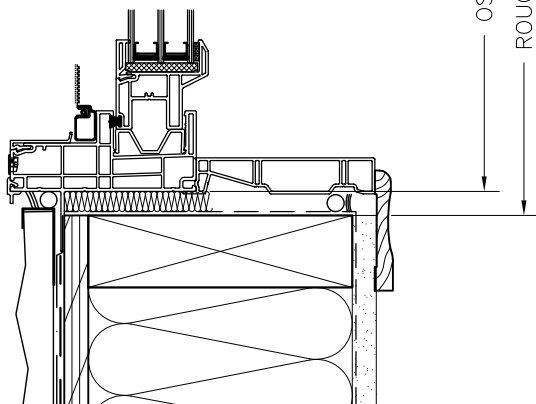
SECTION DETAILS

WALL DETAILS

HEAD DETAIL
2x6 STUD WALL

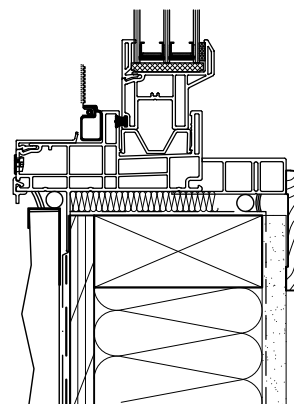


SILL DETAIL
2x6 STUD WALL

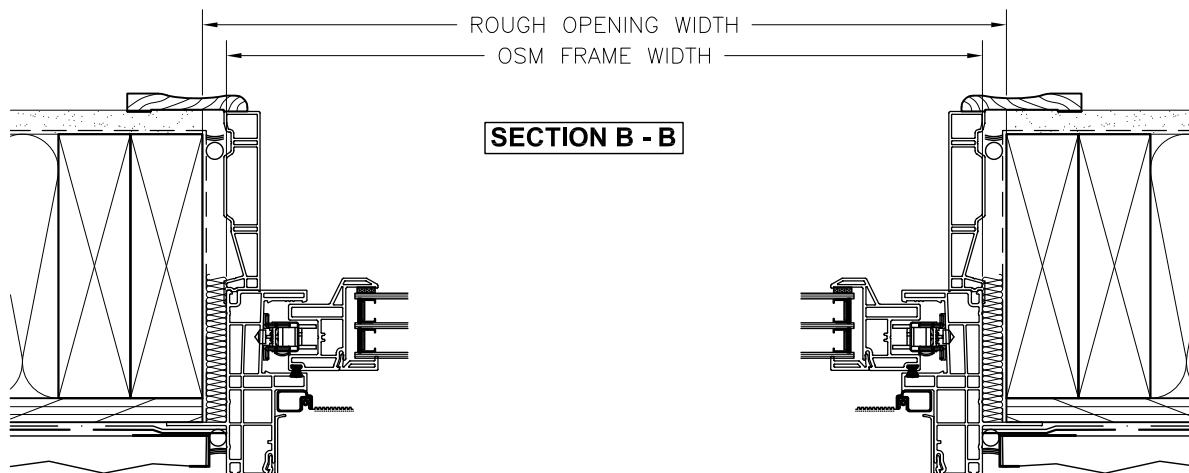


SAMPLE ELEVATION
EXTERIOR VIEW

SILL DETAIL
2x4 STUD WALL



SECTION B - B



JAMB DETAIL
2x6 STUD WALL