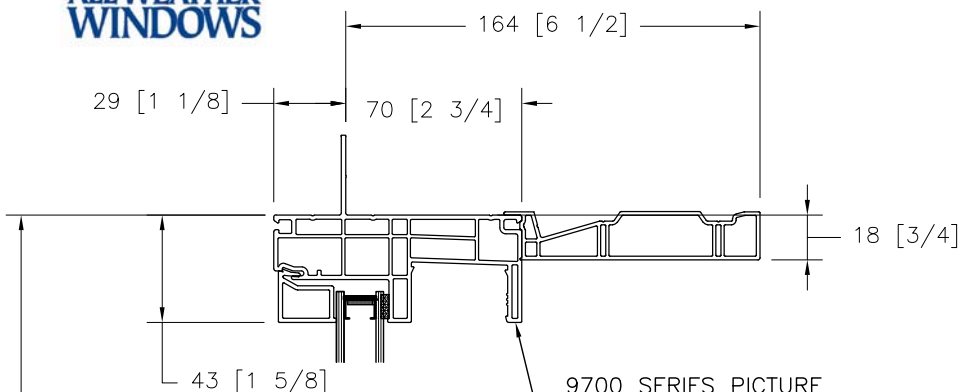




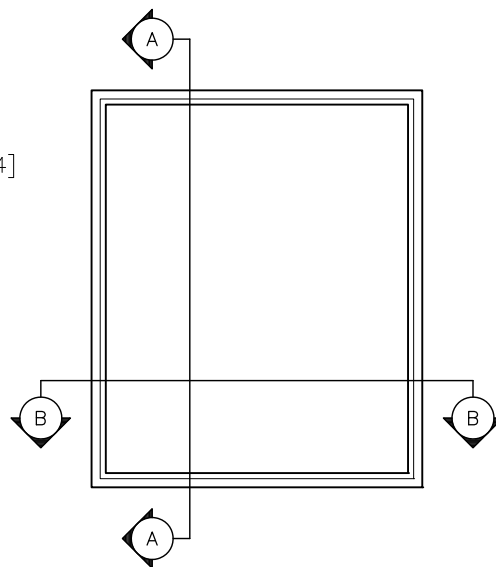
# SUMMIT

## 9700 SERIES SECTION DETAILS PICTURE

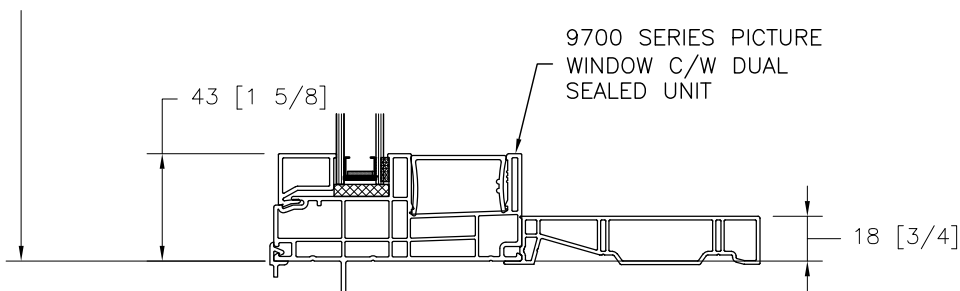


**HEAD DETAIL**  
FRAME DIMENSIONS

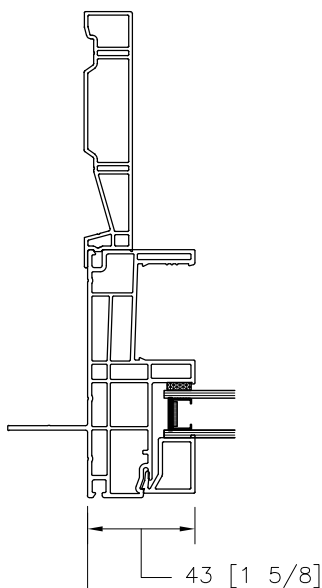
**SECTION A - A**



**SAMPLE ELEVATION**  
EXTERIOR VIEW

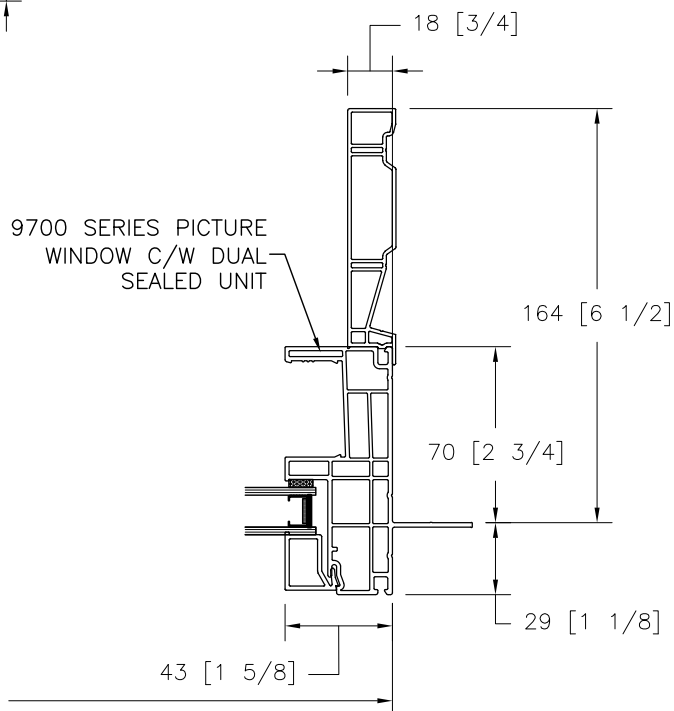


**SILL DETAIL**  
FRAME DIMENSIONS



**JAMB DETAIL**  
FRAME DIMENSIONS

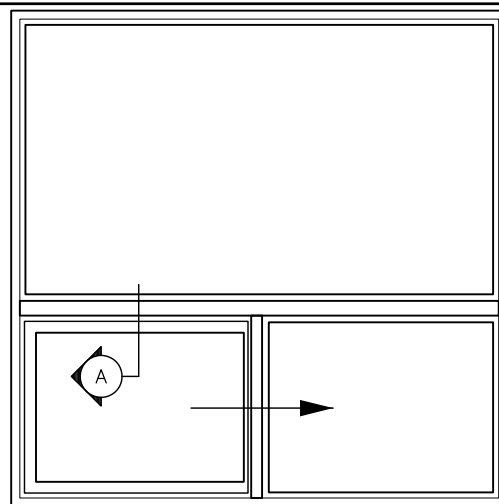
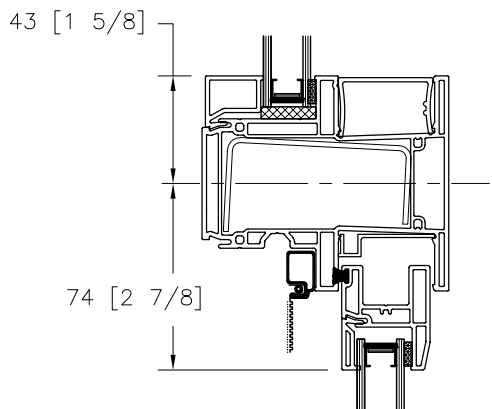
**SECTION B - B**





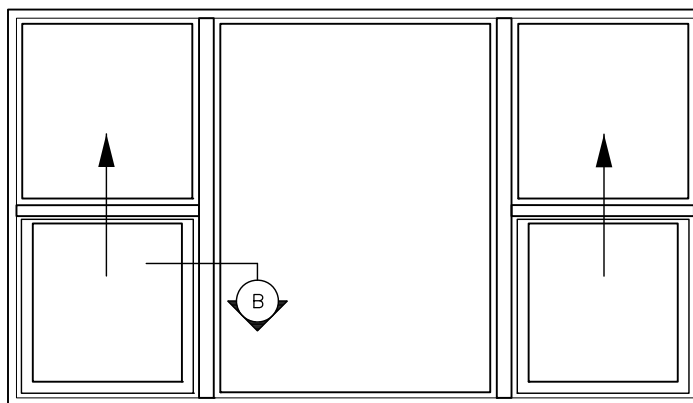
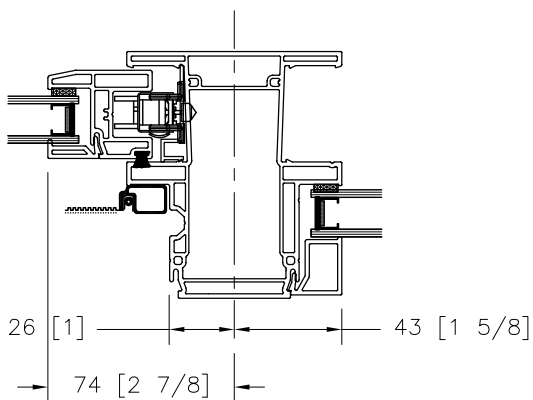
# SUMMIT

## 9700 SERIES SECTION DETAILS MULLIONS



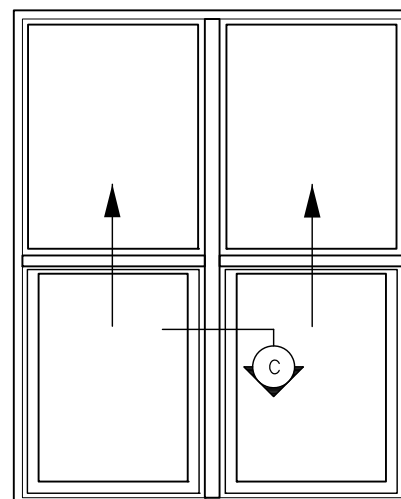
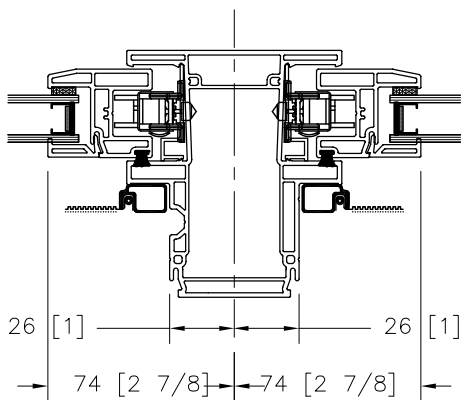
**A. PICTURE / GLIDER**  
MULLION DETAIL C/W STEEL REINFORCING

**SAMPLE ELEVATION**  
EXTERIOR VIEW



**B. SINGLE HUNG - PICTURE**  
MULLION DETAIL

**SAMPLE ELEVATION**  
EXTERIOR VIEW



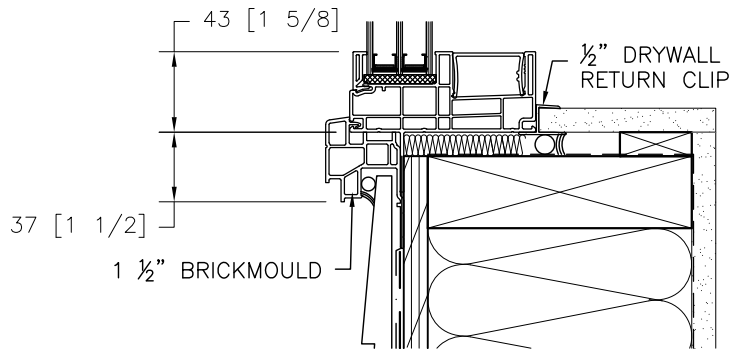
**C. SINGLE HUNG - SINGLE HUNG**  
MULLION DETAIL

**SAMPLE ELEVATION**  
EXTERIOR VIEW

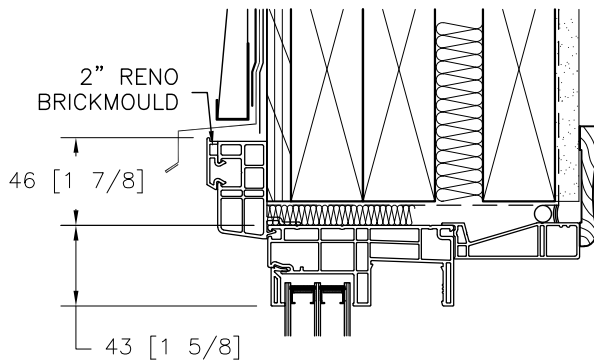
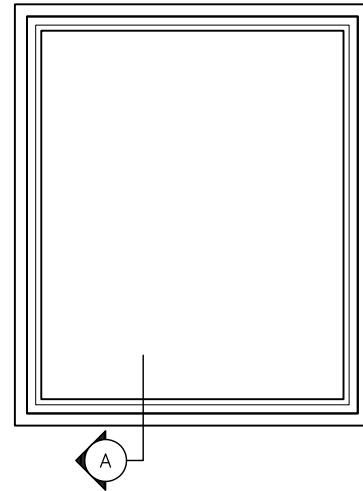


# SUMMIT

## 9700 SERIES SECTION DETAILS OPTIONS

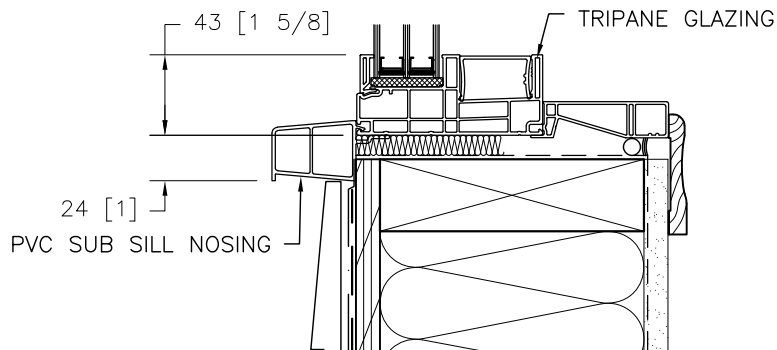
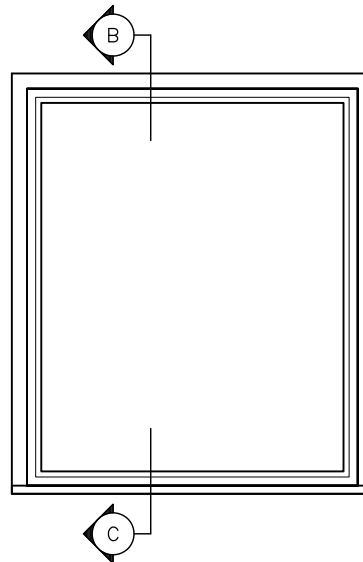


**A - 1 1/2" BRICKMOULD AND 1/2" DRYWALL CLIP**  
OPTION: 1/2" DRYWALL CLIP SHOWN; 3/4" AVAILABLE.



**B - 2" 'RENO' BRICKMOULD**  
OPTION: 2" BRICKMOULD SHOWN; 1 1/2" AVAILABLE

**SAMPLE ELEVATION  
EXTERIOR VIEW**



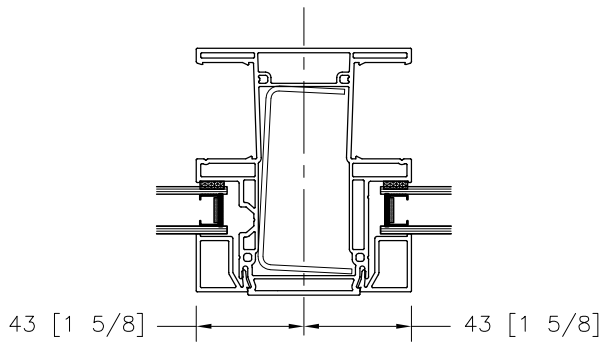
**C - PVC SUBSILL NOSING**  
OPTION

**SAMPLE ELEVATION  
EXTERIOR VIEW**

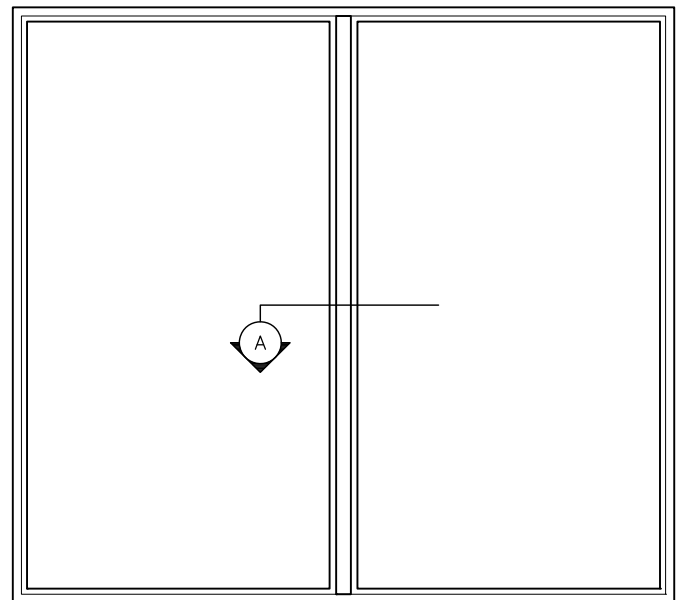


# SUMMIT

## 9700 SERIES SECTION DETAILS REINFORCING



**A. PICTURE - PICTURE**  
STEEL REINFORCED MULLION



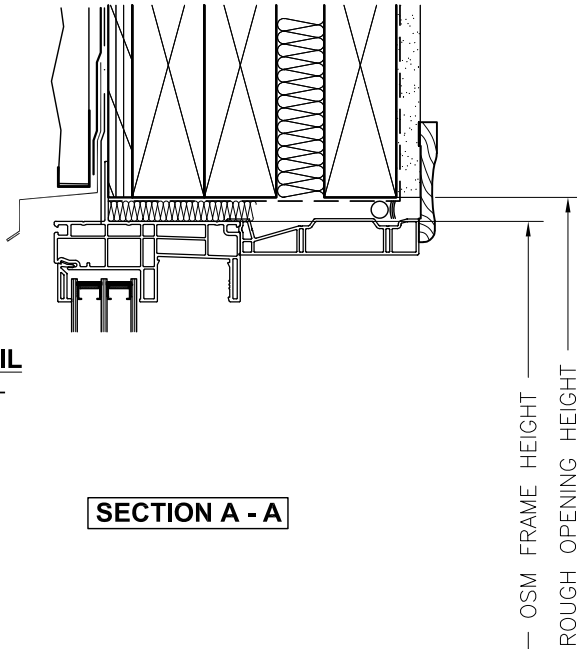
**SAMPLE ELEVATION**  
EXTERIOR VIEW



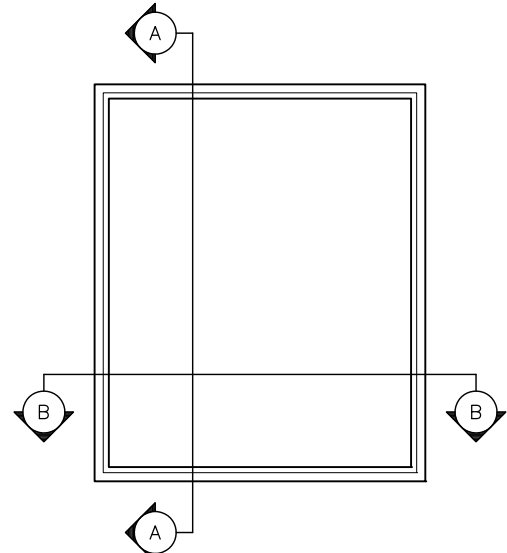
# SUMMIT

## 9700 SERIES SECTION DETAILS WALL DETAILS

**HEAD DETAIL**  
2x6 STUD WALL

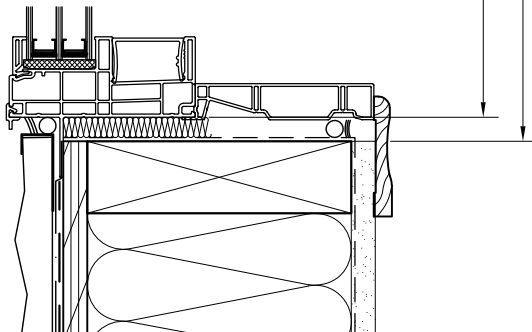


**SECTION A - A**

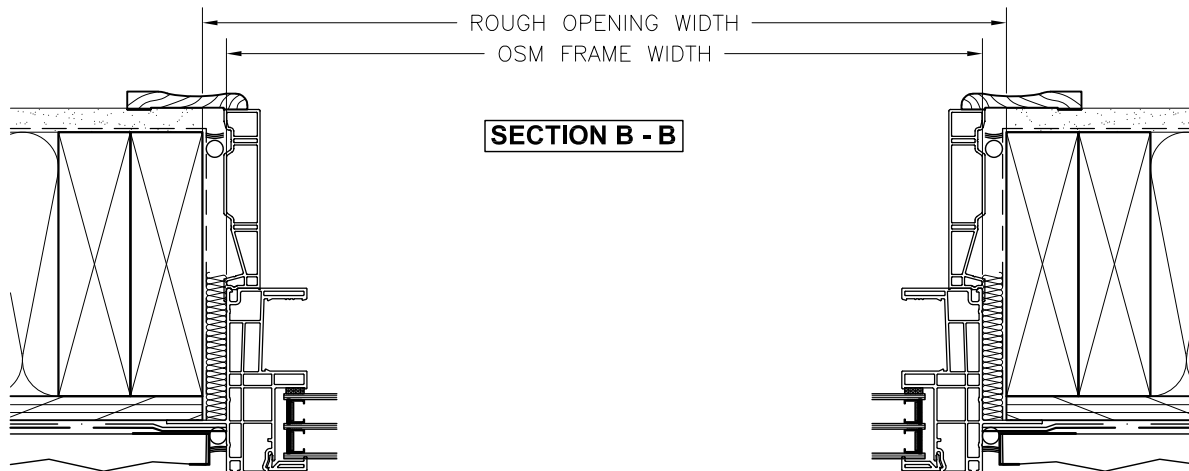
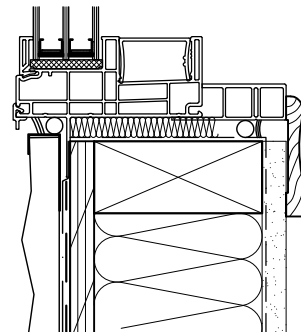


**SAMPLE ELEVATION**  
EXTERIOR VIEW

**SILL DETAIL**  
2x6 STUD WALL



**SILL DETAIL**  
2x4 STUD WALL



**SECTION B - B**

**JAMB DETAIL**  
2x6 STUD WALL